

0CNP6-M02741EN

Corresponding table of the machine and engine

Machine	Engine
Model	Model
SA221,EU	3TNM72-DRE
SA424,EU	3TNV76-DRE

Contents

OCNP6-M02741

Fig. No. Fig. Name

ENGINE CONTROL

- 1. ENGINE ACCESSORIES(1)
- 141. (1A)ENGINE ACCESSORIES(1)
- 2. ENGINE ACCESSORIES(1)
- 142. (2A)ENGINE ACCESSORIES(1)
- 3. ENGINE ACCESSORIES(2)
- 4. COVER(FLYWHEEL)
- 5. COVER(FLYWHEEL)
- 6. ENGINE CONTROL

FRONT AXLE

- 7. FRAME
- 8. FRAME
- 9. ENGINE MOUNT
- 10. ENGINE MOUNT
- 11. FRONT SUPPORT
- 12. FRONT SUPPORT
- 13. FRONT HITCH
- 14. TIE ROD
- 15. DRIVE PINION
- 16. DIFFERENTIAL GEAR
- 17. PROPELLER SHAFT
- 18. PROPELLER SHAFT
- 19. FRONT SHAFT(1)
- 20. FRONT AXLE CASE

Fig. No. Fig. Name

- 21. FRONT GEAR CASE
- 22. FRONT SHAFT(2)
- 23. FRONT SPINDLE
- 24. SHAFT COVER
- 25. FRONT WHEEL TIRE(R3)
- 129. (25A)FRONT WHEEL TIRE(R3)
- 26. FRONT WHEEL TIRE(R3)
- 130. (26A)FRONT WHEEL TIRE(R3)
- 27. FRONT WHEEL TIRE(R4)
- 131. (27A)FRONT WHEEL TIRE(R4)
- 28. FRONT WHEEL TIRE(R4)
- 132. (28A)FRONT WHEEL TIRE(R4)
- 29. HUB BOLT
- 30. COLUMN(1)
- 31. COLUMN(2)
- 32. STEERING WHEEL
- 33. P.S.T. CYLINDER
- 34. P.S.T. VALVE
- 35. P.S.T. PIPING

TRANSMISSION

- 36. COOLING FAN
- 137. H.S.T. FAN GUARD
- 37. DRIVE SHAFT
- 38. TRANSMISSION CASE

Contents

OCNP6-M02741

Fig. No.	Fig. Name
39.	REAR COVER
40.	CENTER PLATE
41.	MAIN VALVE
42.	COUNTER SHAFT
43.	COUNTER SHAFT
44.	REDUCTION SHAFT
45.	REDUCTION SHAFT
46.	P.T.O. DRIVE GEAR
47.	P.T.O. DRIVE SHAFT
48.	P.T.O. CLUTCH SHAFT
49.	P.T.O. SHAFT
50.	PUMP SHAFT
51.	MID P.T.O. SHAFT
52.	SUB SHIFT
53.	SUB SHIFT LEVER
54.	P.T.O. SHIFT
55.	P.T.O. SHIFT LEVER
56.	FRONT DRIVE
57.	FRONT SHIFT
58.	4WD LEVER
59.	H.S.T.
60.	H.S.T. ARM

REAR AXLE

61.	DIFFERENTIAL GEAR
-----	-------------------

Fig. No.	Fig. Name
62.	REAR AXLE HOUSING
63.	REAR AXLE HOUSING
64.	DIFFERENTIAL LOCK
138.	(64A)DIFFERENTIAL LOCK
65.	FINAL PINION
66.	FINAL GEAR
67.	FINAL GEAR
68.	REAR AXLE SHAFT
69.	REAR AXLE SHAFT
70.	REAR WHEEL TIRE(R3)
133.	(70A)REAR WHEEL TIRE(R3)
71.	REAR WHEEL TIRE(R3)
134.	(71A)REAR WHEEL TIRE(R3)
72.	REAR WHEEL TIRE(R4)
135.	(72A)REAR WHEEL TIRE(R4)
73.	REAR WHEEL TIRE(R4)
136.	(73A)REAR WHEEL TIRE(R4)
74.	HUB BOLT
75.	HUB BOLT
76.	PEDAL
143.	(76A)PEDAL
77.	BRAKE
78.	PARKING BRAKE

Contents

OCNP6-M02741

Fig. No. Fig. Name

HYDRAULIC CONTROL

- 79. HYDRAULIC PUMP
- 80. HYDRAULIC PUMP
- 81. LIFTING CYLINDER
- 82. LIFTING CYLINDER
- 83. LIFT ARM
- 84. CONTROL VALVE
- 85. CONTROL VALVE
- 86. STOP VALVE
- 87. SAFETY VALVE
- 88. S.C.V.
- 89. BREATHER
- 90. S.C.V. LEVER
- 91. HYDRAULIC CONTROL
- 139. (91A)HYDRAULIC CONTROL
- 92. HYDRAULIC CONTROL
- 140. (92A)HYDRAULIC CONTROL
- 93. HYDRAULIC CONTROL LEVER
- 94. HYDRAULIC PIPING(1)
- 95. HYDRAULIC PIPING(2)
- 96. S.C.V. PIPING(1)
- 97. S.C.V. PIPING(2)

ELECTRICAL PARTS

- 98. WIRE HARNESS

Fig. No. Fig. Name

- 144. (98A)WIRE HARNESS
- 99. BATTERY
- 100. SWITCH
- 145. (100A)SWITCH
- 146. (100B)SWITCH
- 147. SWITCH(BATTERY)
- 101. LAMP
- 148. (101A)LAMP
- 102. METER

FITTINGS

- 103. BONNET
- 149. (103A)BONNET
- 104. DASHBOARD
- 150. (104A)DASHBOARD
- 105. FENDER
- 106. FENDER
- 107. STEP STAY
- 108. STEP
- 151. (108A)STEP
- 152. (108B)STEP
- 109. SUB STEP
- 110. SEAT STAY
- 111. SEAT
- 153. (111A)SEAT

Contents

OCNP6-M02741

Fig. No.	Fig. Name
112.	REARVIEW MIRROR
154.	(112A)REARVIEW MIRROR
113.	BRACKET(LICENCE)
155.	(113A)BRACKET(LICENSE)

LABEL

114.	LABEL(1)
156.	(114A)LABEL(1)
115.	LABEL(2)
157.	(115A)LABEL(2)
116.	LABEL(2)
158.	(116A)LABEL(2)
117.	LABEL(MODEL)
159.	(117A)LABEL(MODEL)
118.	LABEL(MODEL)
160.	(118A)LABEL(MODEL)
119.	LABEL(SAFETY)(1)
161.	(119A)LABEL(SAFETY)(1)
120.	LABEL(SAFETY)(2)
162.	(120A)LABEL(SAFETY)(2)
163.	(120B)LABEL(SAFETY)(2)

HITCH

121.	THREE POINT LINK
122.	THREE POINT LINK

Fig. No.	Fig. Name
123.	P.T.O. GUARD
124.	DRAWBAR(1)
125.	DRAWBAR(2)
176.	NET
177.	LINK(DIFF LOCK PEDAL)

SAFETY FRAME

126.	ROPS(1)
127.	ROPS(2)

ACCESSORIES

128.	MANUAL
164.	(128A)MANUAL

OPTIONAL

165.	FRONT WEIGHT
166.	STOPPER(ANGLE)
167.	WEIGHT(REAR WHEEL)
168.	MANUAL(FRENCH)
178.	(168A)MANUAL(FRENCH)
169.	MANUAL(GERMAN)
179.	(169A)MANUAL(GERMAN)
170.	MANUAL(ITALIAN)
180.	(170A)MANUAL(ITALIAN)
171.	CRUISE CONTROL

Contents

0CNP6-M02741

Fig. No. Fig. Name

172. TOOL BOX

173. OPOWER SUPPLY SOCKET

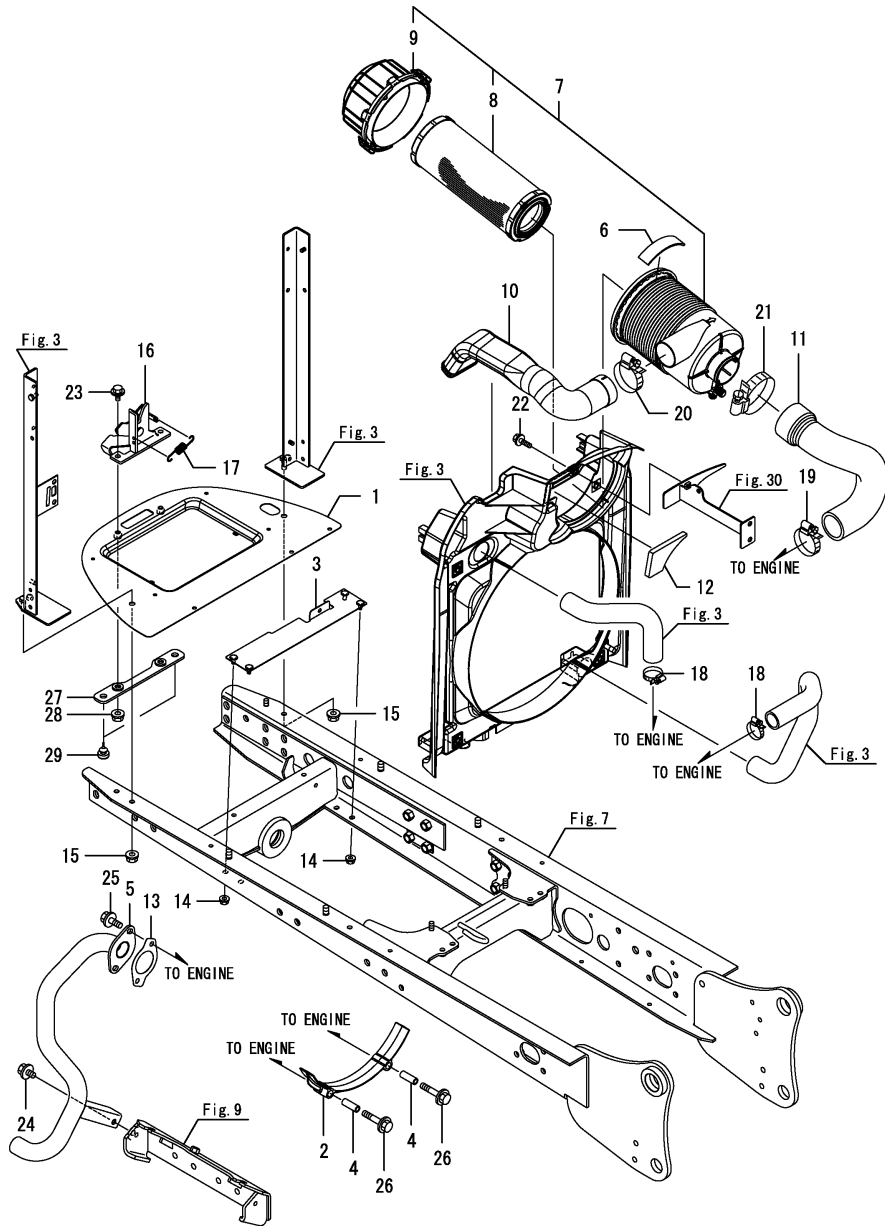
174. WORK LAMP

175. MOUNT(FLASHER)

181. LINK(DIFF LOCK PEDAL)

Fig. No. Fig. Name

Fig.1. ENGINE ACCESSORIES(1)



(A)=SA221,EU
(B)=SA424,EU
(C)=

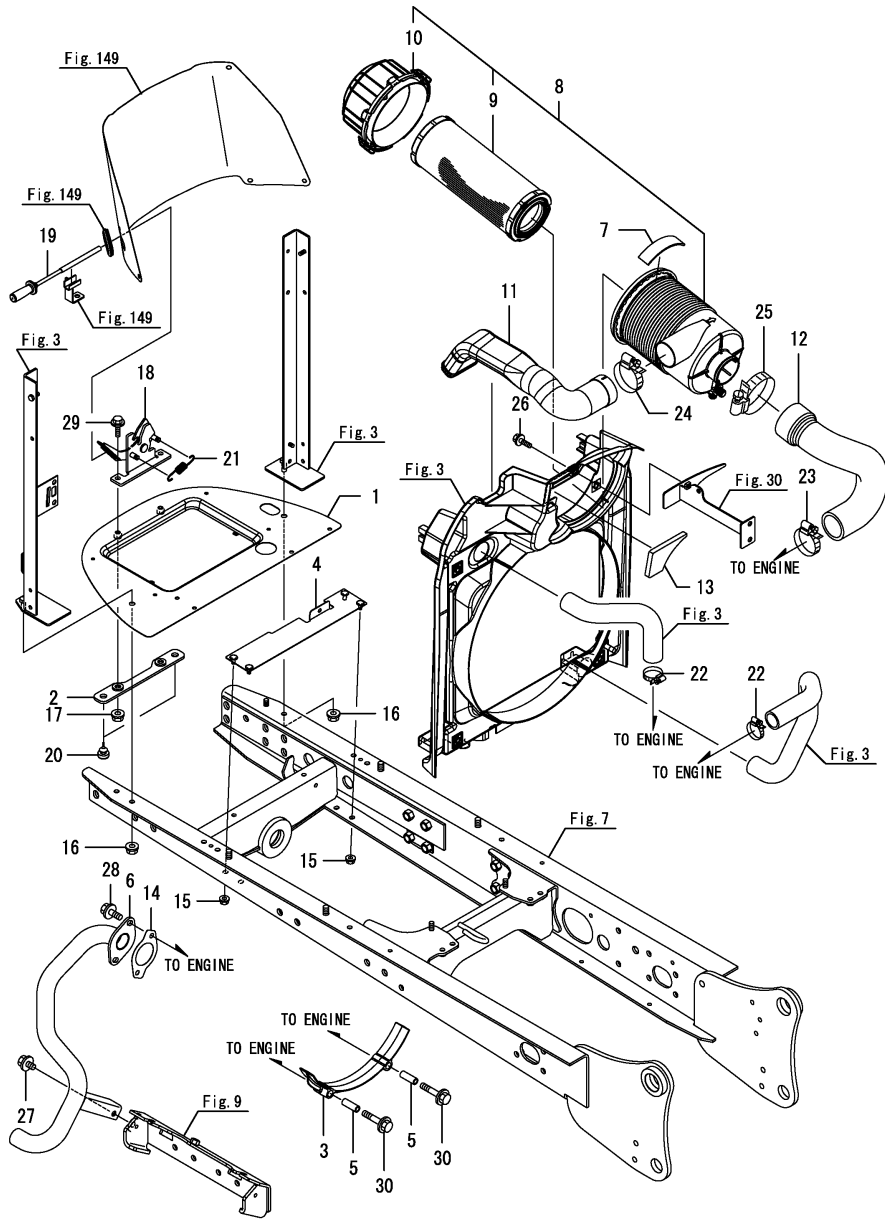
(D)=
(E)=
(F)=

No.	Lev.	Parts No.	Description	Qty						I	R
				(A)	(B)	(C)	(D)	(E)	(F)		
1	1	1A8330-01610	PLATE ASSY, BATTERY	1							
2	1	1A8330-01701	COVER, FLYWHEEL	1							
3	1	1A8330-01710	PLATE ASSY, GUIDE	1							
4	1	1A8330-01750	COLLAR, 12X8X2	2							
5	1	1A8330-03110	PIPE ASSY, EXHAUST	1							
6	1	198165-04380	RUBBER, 100X25X3	1							
7	1	1A8330-05100	CLEANER ASSY, AIR	1							
8	2	1A8330-05110	ELEMENT ASSY	1							
9	2	1A8330-05120	COVER ASSY, CLEANER	1							
10	1	1A8330-05201	HOSE, AIR INTAKE A	1							
11	1	1A8330-05250	HOSE, AIR INTAKE B	1							
12	1	1A8330-05300	URETHANE	1							
13	1	129052-13550	GASKET, EXHAUST PIPE	1							
14	1	194990-22130	NUT, M6	4							
15	1	194990-22140	NUT, M8	2							
16	1	1A8330-61800	CATCH ASSY, BONNET	1							
17	1	1C7170-91300	SPRING, 11X51	1							
18	1	23000-035000	CLAMP, 35	2							
19	1	23000-054000	CLAMP, 54	1							
20	1	23000-060000	CLAMP, 60	1							
21	1	23000-080000	CLAMP, 80	1							
22	1	26106-060202	BOLT, M6X 20 PLATED	1							
23	1	26106-080162	BOLT, M8X 16 PLATED	2							
23-1	1	26106-080354	BOLT, M8X 35 PLATED	2							N
(A=F200171)											
24	1	26106-080162	BOLT, M8X 16 PLATED	1							
25	1	26106-080202	BOLT, M8X 20 PLATED	2							
26	1	26106-080402	BOLT, M8X 40 PLATED	2							
27	1	1A8330-01660	STAY ASSY,SUPPORT	1							W
(A=F200171)											
28	1	194990-22140	NUT, M8	2							W
(A=F200171)											
29	1	194330-62530	STOPPER, PEDAL	2							W
(A=F200171)											

Remarks

* This figure is applicable to [(A)=F500001] or previous machines.
Please refer to Fig.141 since above-mentioned Engine Serial.

Fig.141. (1A)ENGINE ACCESSORIES(1)



(A)=SA221,EU
(B)=SA424,EU
(C)=

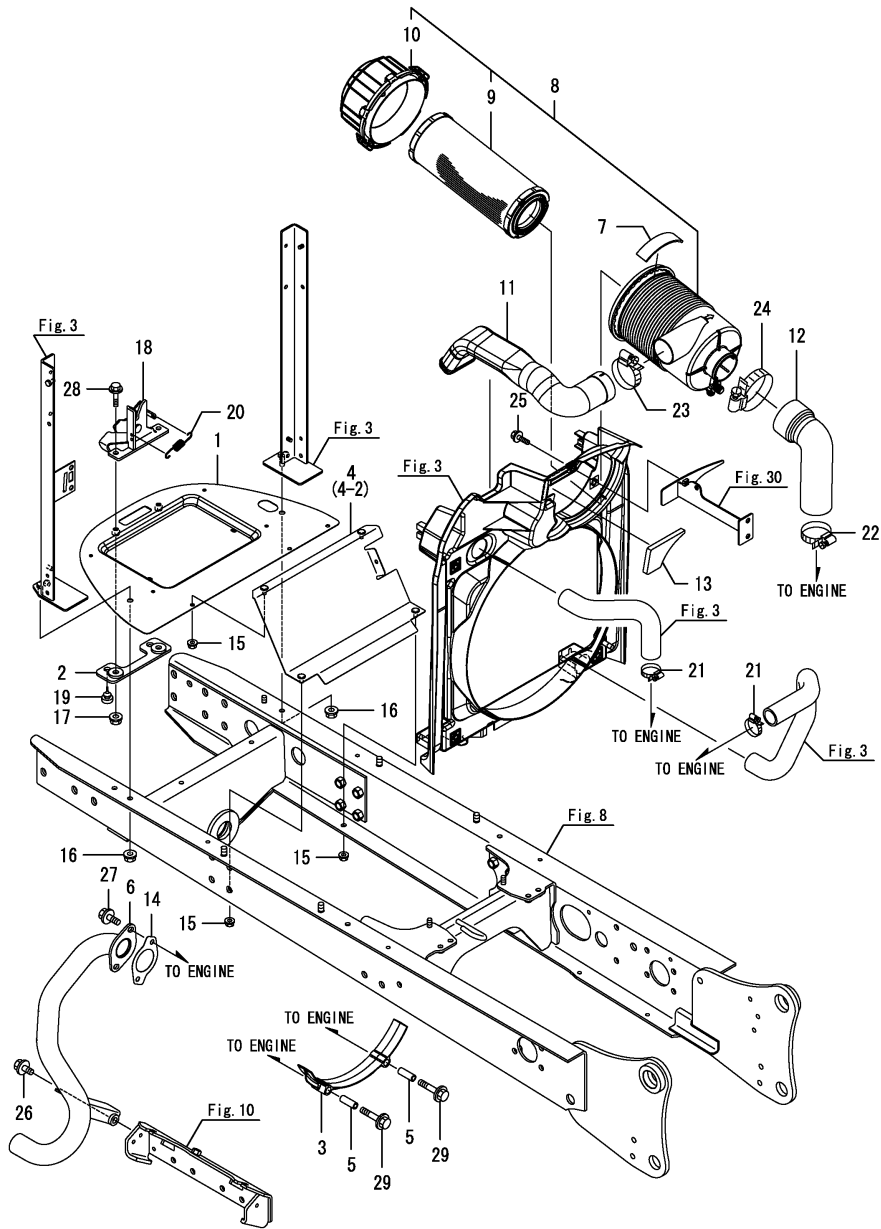
(D)=
(E)=
(F)=

No.	Lev.	Parts No.	Description	Q'ty						I	R
				(A)	(B)	(C)	(D)	(E)	(F)		
1	1	1A8332-01610	PLATE ASSY, BATTERY	1							
2	1	1A8330-01660	STAY ASSY,SUPPORT	1							
3	1	1A8330-01701	COVER, FLYWHEEL	1							
4	1	1A8330-01710	PLATE ASSY, GUIDE	1							
5	1	1A8330-01750	COLLAR, 12X8X2	2							
6	1	1A8330-03110	PIPE ASSY, EXHAUST	1							
7	1	198165-04380	RUBBER, 100X25X3	1							
8	1	1A8330-05100	CLEANER ASSY, AIR	1							
9	2	1A8330-05110	ELEMENT ASSY	1							
10	2	1A8330-05120	COVER ASSY, CLEANER	1							
11	1	1A8330-05201	HOSE, AIR INTAKE A	1							
12	1	1A8330-05250	HOSE, AIR INTAKE B	1							
13	1	1A8330-05300	URETHANE	1							
14	1	129052-13550	GASKET, EXHAUST PIPE	1							
15	1	194990-22130	NUT, M6	4							
16	1	194990-22140	NUT, M8	2							
17	1	194990-22140	NUT, M8	2							
18	1	1A8332-61801	CATCH ASSY, BONNET	1							
18-1	1	1A8332-61300	CATCH ASSY, BONNET	1							N
		(A=F500005)									
19	1	1A8332-61910	BAR ASSY, HOOD OPEN	1							
20	1	194330-62530	STOPPER, PEDAL	2							
21	1	1C7170-91300	SPRING, 11X51	1							
22	1	23000-035000	CLAMP, 35	2							
23	1	23000-054000	CLAMP, 54	1							
24	1	23000-060000	CLAMP, 60	1							
25	1	23000-080000	CLAMP, 80	1							
26	1	26106-060202	BOLT, M6X 20 PLATED	1							
27	1	26106-080162	BOLT, M8X 16 PLATED	1							
28	1	26106-080202	BOLT, M8X 20 PLATED	2							
29	1	26106-080354	BOLT, M8X 35 PLATED	2							
30	1	26106-080402	BOLT, M8X 40 PLATED	2							

Remarks

* This figure is applicable to [(A)=F500002] or following machines.
Please refer to Fig.1 before above-mentioned Engine Serial.

Fig.2. ENGINE ACCESSORIES(1)



(A)=SA221,EU
(B)=SA424,EU
(C)=

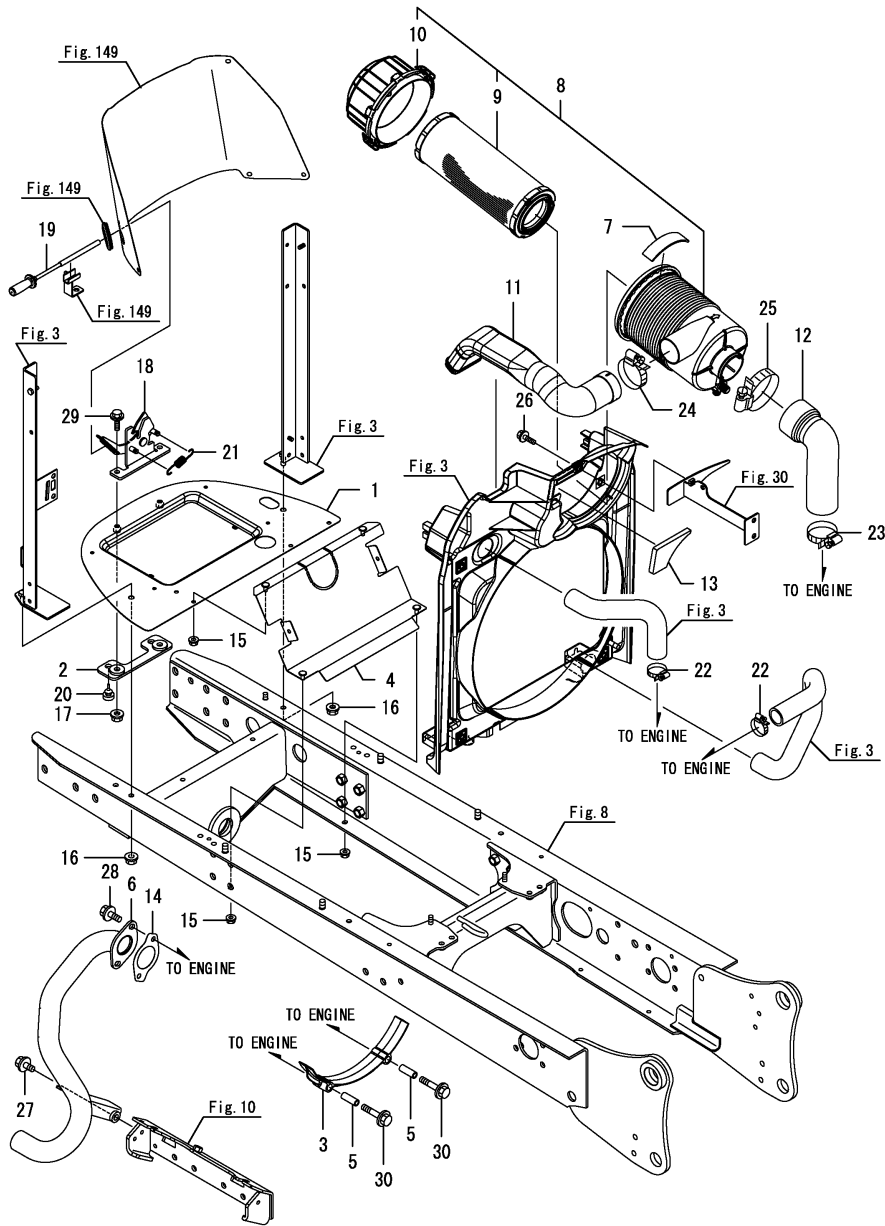
(D)=
(E)=
(F)=

No.	Lev.	Parts No.	Description	Q'ty						I	R
				(A)	(B)	(C)	(D)	(E)	(F)		
1	1	1A8330-01610	PLATE ASSY, BATTERY		1						
2	1	1A8320-01650	STAY ASSY, SUPPORT		1						
3	1	1A8330-01701	COVER, FLYWHEEL		1						
4	1	1A8320-01710	PLATE ASSY, GUIDE		1						
4-1	1	1A8320-01711 (B=F200154)	PLATE ASSY, GUIDE		1						N
4-2	1	1A8320-01712 (B=F200174)	PLATE ASSY, GUIDE		1						S
4-3	1	1A8320-01713 (B=F200234)	PLATE ASSY, GUIDE		1						N
5	1	1A8330-01750	COLLAR, 12X8X2		2						
6	1	1A8320-03110	PIPE ASSY, EXHAUST		1						
7	1	198165-04380	RUBBER, 100X25X3		1						
8	1	1A8330-05100	CLEANER ASSY, AIR		1						
9	2	1A8330-05110	ELEMENT ASSY		1						
10	2	1A8330-05120	COVER ASSY, CLEANER		1						
11	1	1A8330-05201	HOSE, AIR INTAKE A		1						
12	1	1A8320-05250	HOSE, AIR INTAKE B		1						
13	1	1A8330-05300	URETHANE		1						
14	1	129052-13550	GASKET, EXHAUST PIPE		1						
15	1	194990-22130	NUT, M6		4						
16	1	194990-22140	NUT, M8		2						
17	1	194990-22140	NUT, M8		2						
18	1	1A8330-61800	CATCH ASSY, BONNET		1						
19	1	194330-62530	STOPPER, PEDAL		2						
20	1	1C7170-91300	SPRING, 11X51		1						
21	1	23000-035000	CLAMP, 35		2						
22	1	23000-054000	CLAMP, 54		1						
23	1	23000-060000	CLAMP, 60		1						
24	1	23000-080000	CLAMP, 80		1						
25	1	26106-060202	BOLT, M6X 20 PLATED		1						
26	1	26106-080162	BOLT, M8X 16 PLATED		1						
27	1	26106-080202	BOLT, M8X 20 PLATED		2						
28	1	26106-080354	BOLT, M8X 35 PLATED		2						
29	1	26106-080402	BOLT, M8X 40 PLATED		2						

Remarks

* This figure is applicable to [(B)=F500000] or previous machines.
Please refer to Fig.142 since above-mentioned Engine Serial.

Fig.142. (2A)ENGINE ACCESSORIES(1)



(A)=SA221,EU
(B)=SA424,EU
(C)=

(D)=
(E)=
(F)=

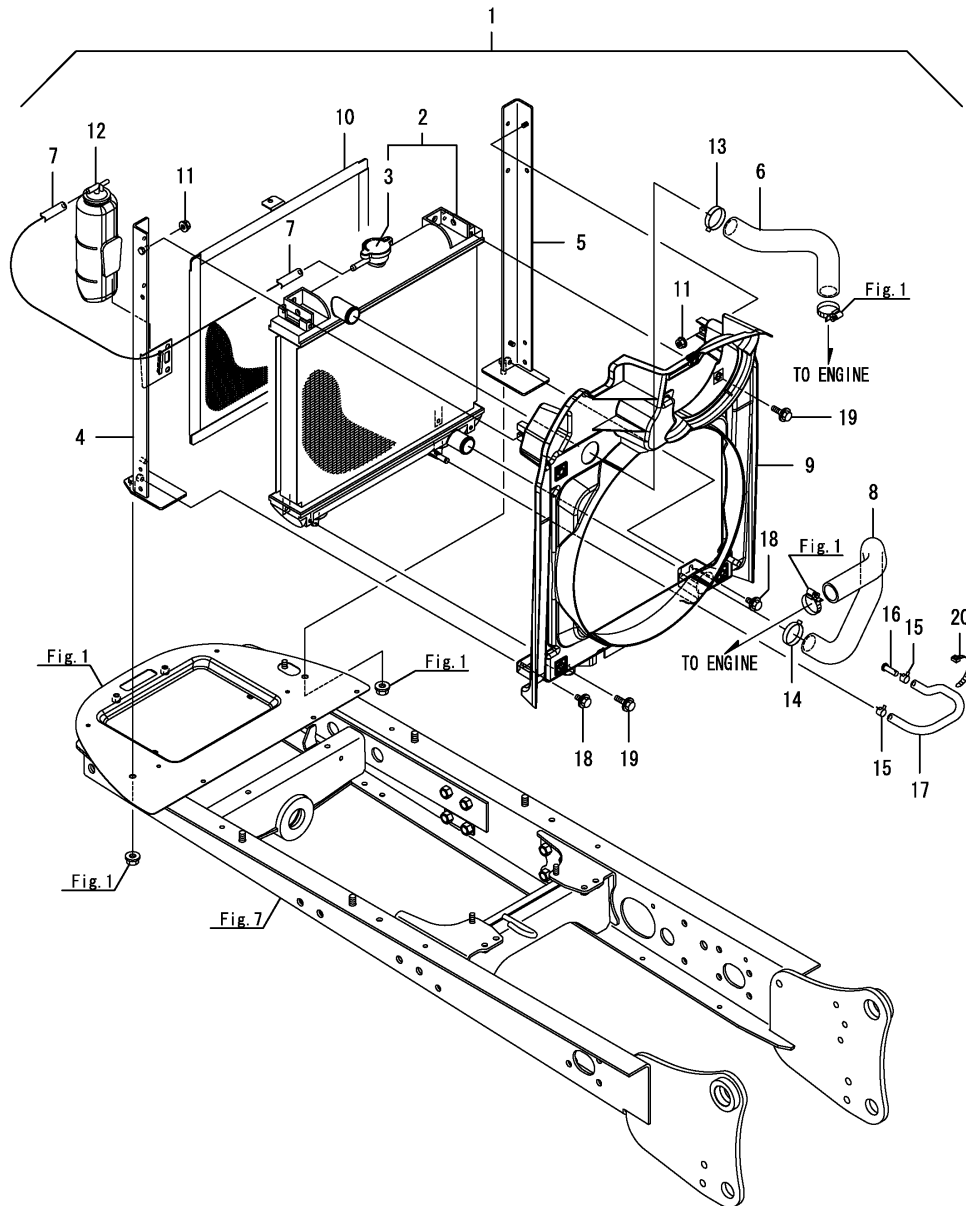
No.	Lev.	Parts No.	Description	Q'ty						I	R
				(A)	(B)	(C)	(D)	(E)	(F)		
1	1	1A8332-01610	PLATE ASSY, BATTERY	1							
2	1	1A8320-01650	STAY ASSY, SUPPORT	1							
3	1	1A8330-01701	COVER, FLYWHEEL	1							
4	1	1A8320-01713	PLATE ASSY, GUIDE	1							
5	1	1A8330-01750	COLLAR, 12X8X2	2							
6	1	1A8320-03110	PIPE ASSY, EXHAUST	1							
7	1	198165-04380	RUBBER, 100X25X3	1							
8	1	1A8330-05100	CLEANER ASSY, AIR	1							
9	2	1A8330-05110	ELEMENT ASSY	1							
10	2	1A8330-05120	COVER ASSY, CLEANER	1							
11	1	1A8330-05201	HOSE, AIR INTAKE A	1							
12	1	1A8320-05250	HOSE, AIR INTAKE B	1							
13	1	1A8330-05300	URETHANE	1							
14	1	129052-13550	GASKET, EXHAUST PIPE	1							
15	1	194990-22130	NUT, M6	4							
16	1	194990-22140	NUT, M8	2							
17	1	194990-22140	NUT, M8	2							
18	1	1A8332-61801	CATCH ASSY, BONNET	1							
18-1	1	1A8332-61300	CATCH ASSY, BONNET	1							N
		(B=F500035)									
19	1	1A8332-61910	BAR ASSY, HOOD OPEN	1							
20	1	194330-62530	STOPPER, PEDAL	2							
21	1	1C7170-91300	SPRING, 11X51	1							
22	1	23000-035000	CLAMP, 35	2							
23	1	23000-054000	CLAMP, 54	1							
24	1	23000-060000	CLAMP, 60	1							
25	1	23000-080000	CLAMP, 80	1							
26	1	26106-060202	BOLT, M6X 20 PLATED	1							
27	1	26106-080162	BOLT, M8X 16 PLATED	1							
28	1	26106-080202	BOLT, M8X 20 PLATED	2							
29	1	26106-080354	BOLT, M8X 35 PLATED	2							
30	1	26106-080402	BOLT, M8X 40 PLATED	2							

Remarks

* This figure is applicable to [(B)=F500001] or following machines.
Please refer to Fig.2 before above-mentioned Engine Serial.

N:Old $\begin{matrix} \leftarrow \text{Yes} \\ \text{No} \end{matrix}$ New, Q:Old $\begin{matrix} \leftarrow \text{No} \\ \text{Yes} \end{matrix}$ New, R:Old $\begin{matrix} \leftarrow \text{Yes} \\ \text{No} \end{matrix}$ New, S:Old $\begin{matrix} \leftarrow \text{No} \\ \text{Yes} \end{matrix}$ New, W:Add, Z:Discontinued, F:Interchangeable by set, K:Q'ty Change

Fig.3. ENGINE ACCESSORIES(2)



(A)=SA221,EU
(B)=SA424,EU
(C)=

(D)=
(E)=
(F)=

No.	Lev.	Parts No.	Description	Q'ty						I	R
				(A)	(B)	(C)	(D)	(E)	(F)		
1	1	1A8330-00510	RADIATOR, UNIT	1	1						
2	2	1A8330-00610	RADIATOR ASSY	1	1						
3	3	129107-44590	CAP, RADIATOR	1	1						
4	2	1A8330-01200	FRAME ASSY, L	1	1						
4-1	2	1A8330-01201 (A=F500002)	FRAME ASSY, L (B=F500001)	1	1						N
4-2	2	1A8330-01202 (A=F500005)	FRAME ASSY, L (B=F500006)	1	1						N
5	2	1A8330-01250	FRAME ASSY, R	1	1						
5-1	2	1A8330-01251 (A=F500002)	FRAME ASSY, R (B=F500001)	1	1						N
6	2	1A8330-01410	HOSE, WATER A	1	1						
7	2	1A8330-01421	HOSE, 350	1	1						
8	2	1A8330-01460	HOSE, WATER B	1	1						
9	2	1A8330-01500	M ASSY, SHROUD	1	1						
10	2	1A8330-01560	SCREEN, RADIATOR	1	1						
11	2	194990-22130	NUT, M6	2	2						
12	2	129263-44510	TANK ASSY, SUB	1	1						
13	2	175022-49730	CLIP, HOSE 31.0	1	1						
14	2	175022-49730	CLIP, HOSE 31.0	1	1						
15	2	114270-59010	CLAMP, HOSE 12	2	2						
16	2	22487-080200	PIN, H 8X 20	1	1						
17	2	23980-730270	HOSE, 7.3X 270	1	1						
18	2	26106-060122	BOLT, M6X 12 PLATED	2	2						
19	2	26106-060202	BOLT, M6X 20 PLATED	4	4						
20	2	29622-250001	BAND, RF250	1	1						

Fig.4. COVER(FLYWHEEL)

(A)=SA221,EU
(B)=SA424,EU
(C)=

(D)=
(E)=
(F)=

No.	Lev.	Parts No.	Description	Q'ty						I	R
				(A)	(B)	(C)	(D)	(E)	(F)		
1	1	1A8330-01800	COVER ASSY, FLYWHEEL	1							
2	1	26106-080802	BOLT, M8X 80 PLATED	1							
3	1	26776-120002	NUT, LOCK M12	1							

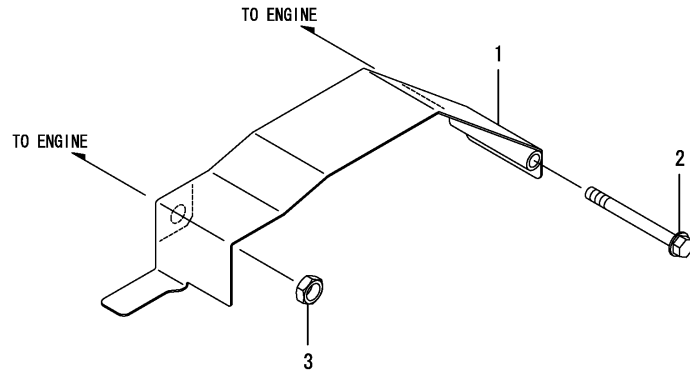


Fig.5. COVER(FLYWHEEL)

(A)=SA221,EU
(B)=SA424,EU
(C)=

(D)=
(E)=
(F)=

No.	Lev.	Parts No.	Description	Q'ty						I	R
				(A)	(B)	(C)	(D)	(E)	(F)		
1	1	1A8320-01800	COVER ASSY, FLYWHEEL		1						
2	1	26106-080802	BOLT, M8X 80 PLATED		1						
3	1	26776-120002	NUT, LOCK M12		1						

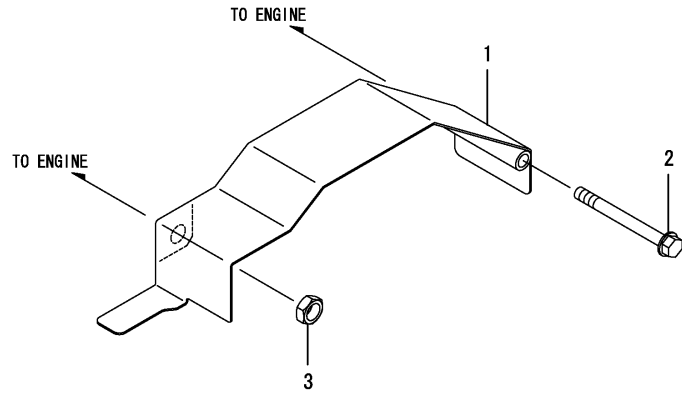


Fig.6. ENGINE CONTROL

(A)=SA221,EU
(B)=SA424,EU
(C)=

(D)=
(E)=
(F)=

No.	Lev.	Parts No.	Description	Q'ty						I	R
				(A)	(B)	(C)	(D)	(E)	(F)		
1	1	198071-01160	RUBBER, WIRE	1	1						
2	1	198253-01190	KNOB, ACCEL LEVER	1	1						

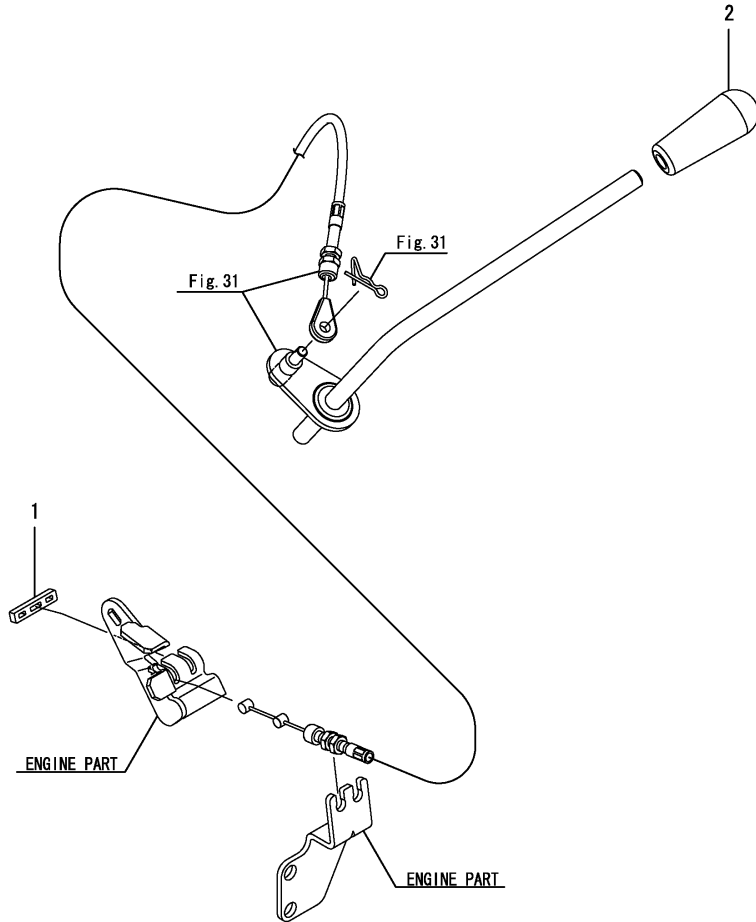


Fig.7. FRAME

(A)=SA221,EU
(B)=SA424,EU
(C)=

(D)=
(E)=
(F)=

No.	Lev.	Parts No.	Description	Q'ty						I	R
				(A)	(B)	(C)	(D)	(E)	(F)		
1	1	1A8330-10091	FRAME UNIT	1							
1-1	1	1A8330-10092	FRAME UNIT	1							N
(A=F500005)											
2	2	24550-050250	BUSH, 50X25	1							
3	1	1A8330-10510	PIN, 35X46	2							
4	1	1A8330-10520	PIN ASSY	2							
5	1	24311-000410	O-RING, 1AP41.0	1							
6	1	24311-000480	O-RING, 1AP48.0	2							
7	1	26106-120252	BOLT, M12X 25 PLATED	4							
8	1	26106-120702	BOLT, M12X 70 PLATED	4							

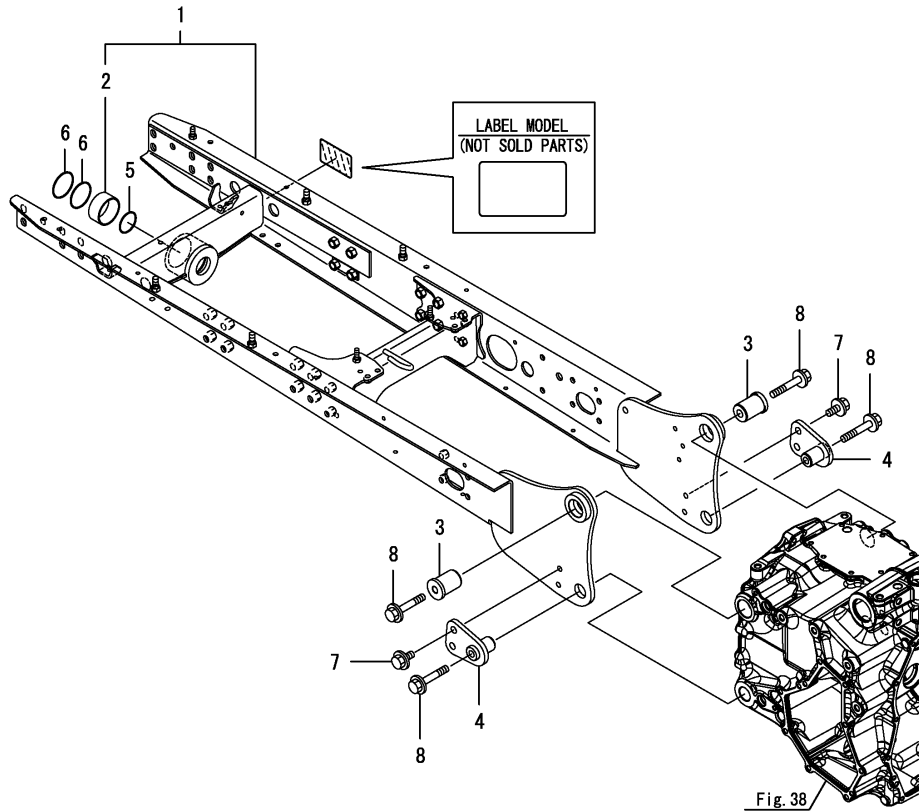
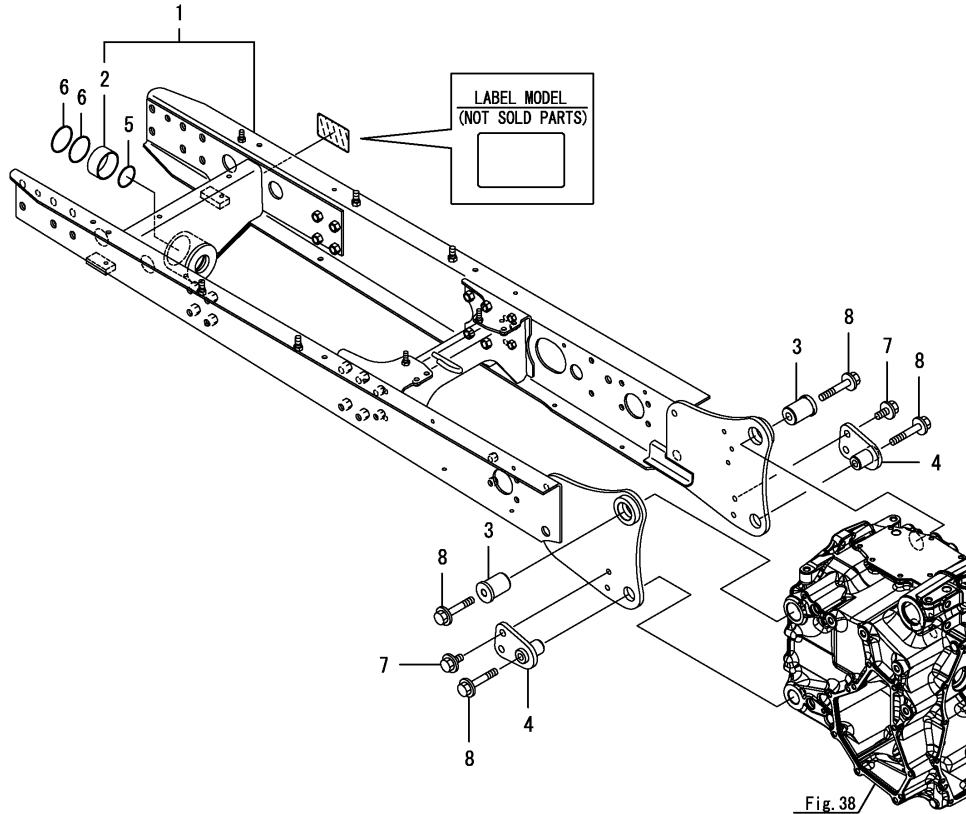


Fig.8. FRAME

(A)=SA221,EU
(B)=SA424,EU
(C)=

(D)=
(E)=
(F)=

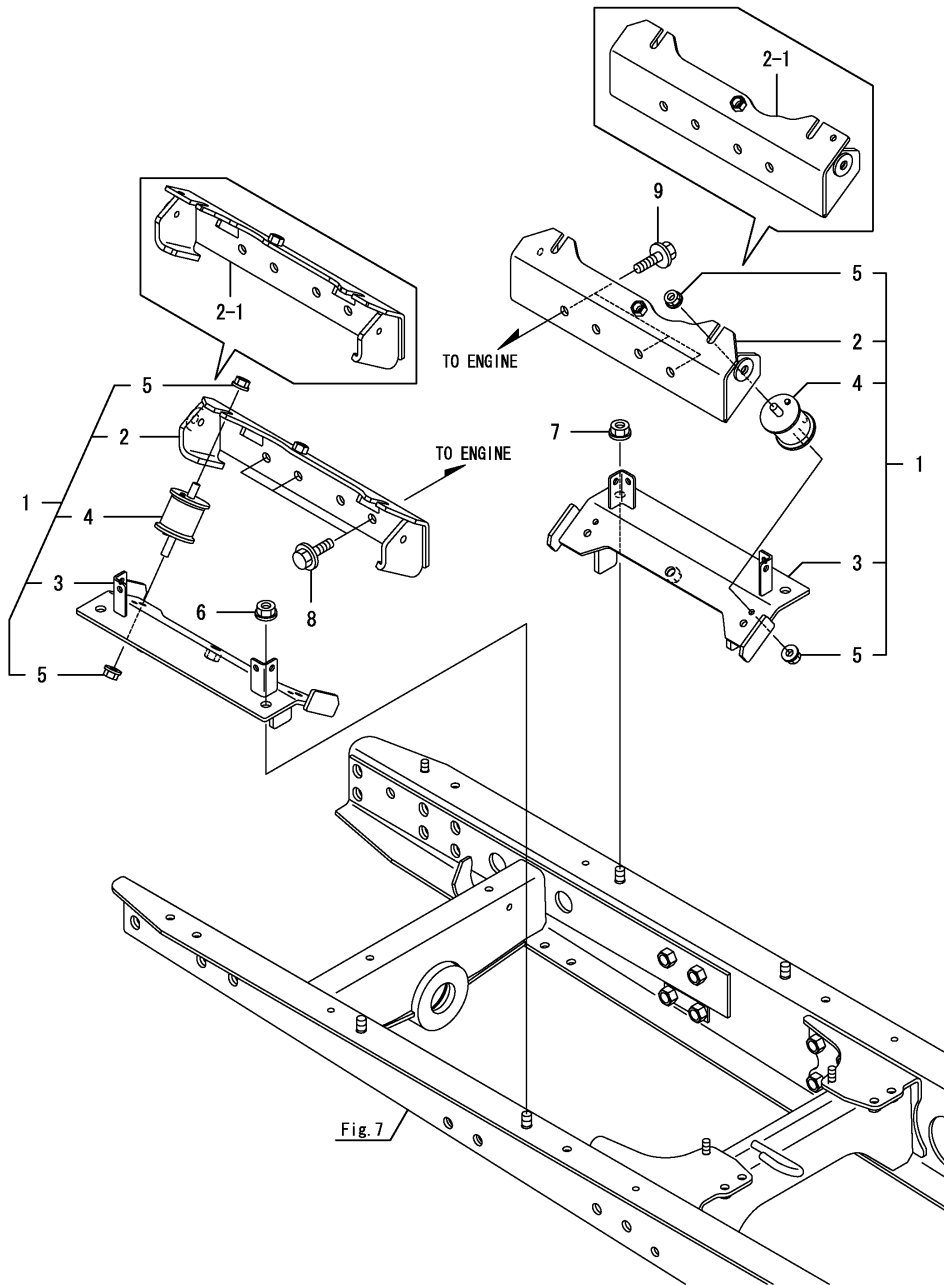


No.	Lev.	Parts No.	Description	Q'ty						I	R	
				(A)	(B)	(C)	(D)	(E)	(F)			
1	1	1A8320-10091	FRAME UNIT		1							
1-1	1	1A8320-10092 (B=F500006)	FRAME UNIT		1							N
2	2	24550-050250	BUSH, 50X25		1							
3	1	1A8330-10510	PIN, 35X46		2							
4	1	1A8330-10520	PIN ASSY		2							
5	1	24311-000410	O-RING, 1AP41.0		1							
6	1	24311-000480	O-RING, 1AP48.0		2							
7	1	26106-120252	BOLT, M12X 25 PLATED		4							
8	1	26106-120702	BOLT, M12X 70 PLATED		4							

Fig.9. ENGINE MOUNT

(A)=SA221,EU
(B)=SA424,EU
(C)=

(D)=
(E)=
(F)=

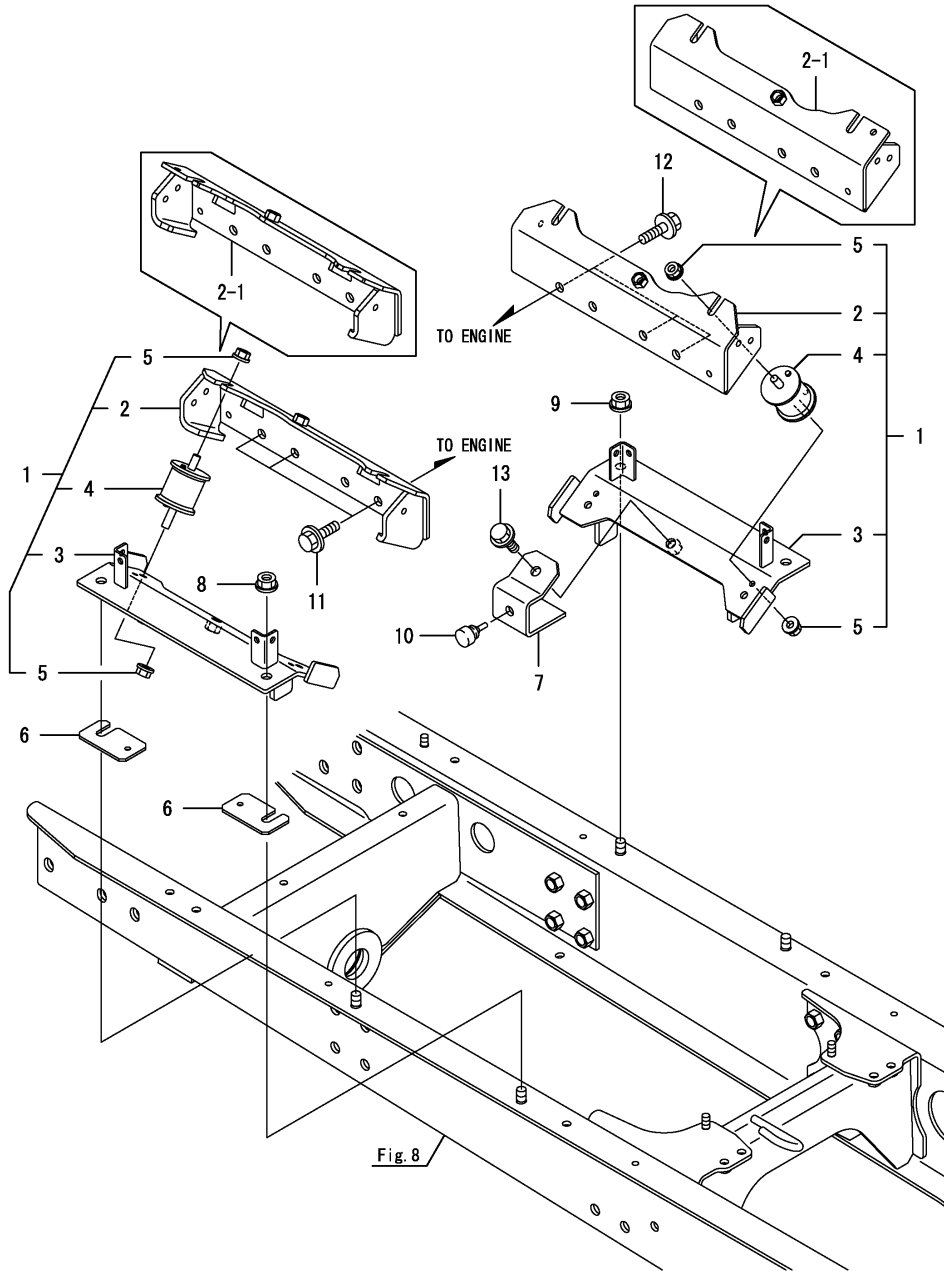


No.	Lev.	Parts No.	Description	Q'ty						I	R
				(A)	(B)	(C)	(D)	(E)	(F)		
1	1	1A8330-10700	STAY ASSY, MOUNT	2							
1-1	1	1A8330-10701	STAY ASSY, MOUNT	2							N
(A=F500002)											
2	2	1A8330-10800	STAY ASSY, MOUNT A	2							
2-1	2	1A8330-10801	STAY ASSY, MOUNT A	2							S
(A=F500002)											
3	2	1A8330-10851	STAY ASSY, MOUNT B	2							
4	2	1A7130-11790	RUBBER, MOUNT	4							
5	2	194990-22140	NUT, M8	8							
6	1	194990-22150	NUT, M10	2							
7	1	194990-22150	NUT, M10	2							
8	1	26106-100202	BOLT, M10X 20 PLATED	3							
9	1	26106-100202	BOLT, M10X 20 PLATED	3							

Fig.10. ENGINE MOUNT

(A)=SA221,EU
(B)=SA424,EU
(C)=

(D)=
(E)=
(F)=



No.	Lev.	Parts No.	Description	Q'ty						I	R
				(A)	(B)	(C)	(D)	(E)	(F)		
1	1	1A8320-10700	STAY ASSY, MOUNT		2						
1-1	1	1A8320-10701 (B=F500001)	STAY ASSY, MOUNT		2						N
2	2	1A8320-10800	STAY ASSY, MOUNT A		2						
2-1	2	1A8320-10801 (B=F500001)	STAY ASSY, MOUNT A		2						S
3	2	1A8330-10851	STAY ASSY, MOUNT B		2						
4	2	1A7130-11790	RUBBER, MOUNT		4						
5	2	194990-22140	NUT, M8		8						
6	1	1A8320-10850-1	SPACER		2						
7	1	1A8320-10910	STAY, STOPPER		1						
8	1	194990-22150	NUT, M10		2						
9	1	194990-22150	NUT, M10		2						
10	1	194330-62530	STOPPER, PEDAL		1						
11	1	26106-100202	BOLT, M10X 20 PLATED		3						
12	1	26106-100202	BOLT, M10X 20 PLATED		3						
13	1	26106-100202	BOLT, M10X 20 PLATED		1						

Fig.11. FRONT SUPPORT

(A)=SA221,EU
 (B)=SA424,EU
 (C)=

(D)=
 (E)=
 (F)=

No.	Lev.	Parts No.	Description	Q'ty						I	R
				(A)	(B)	(C)	(D)	(E)	(F)		
1	1	1A8330-11590	SUPPORT UNIT, FRONT	1							
2	2	24550-050250	BUSH, 50X25	1							
3	1	198165-85970	BOLT, M12X35	12							
4	1	24311-000480	O-RING, 1AP48.0	2							
5	1	26116-160604	BOLT, M16X 60 PLATED	1							
6	1	26716-160002	NUT, M16	1							

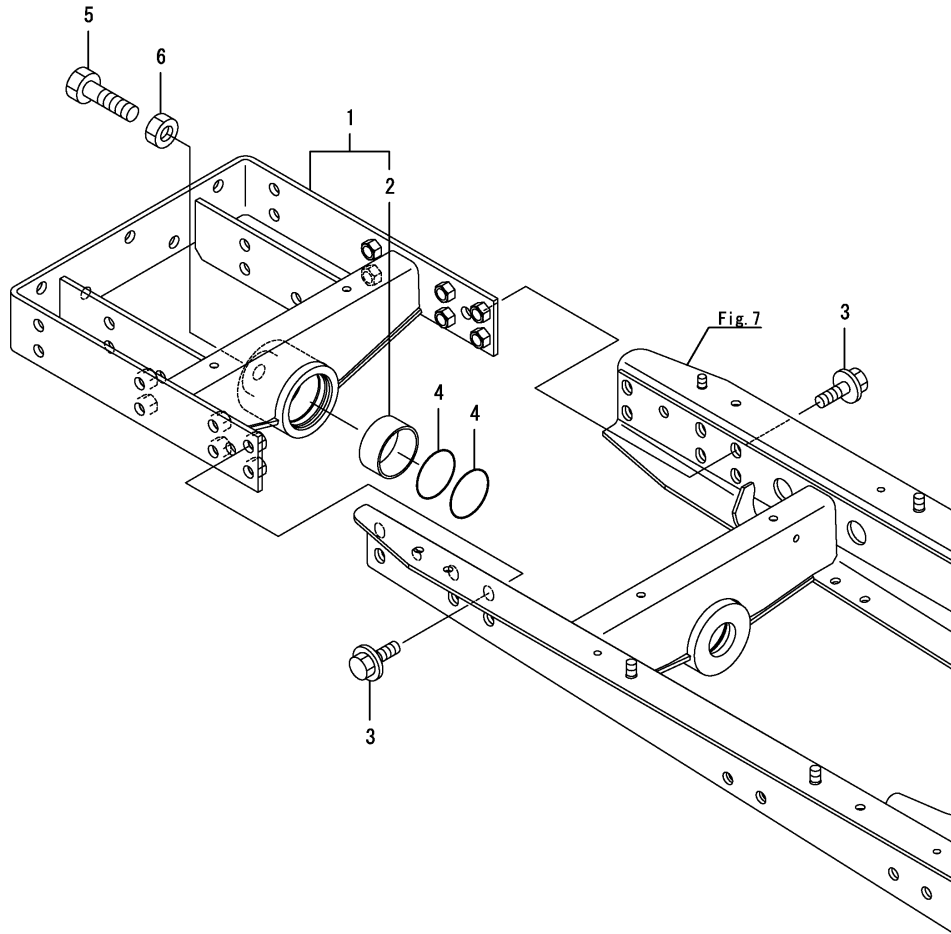
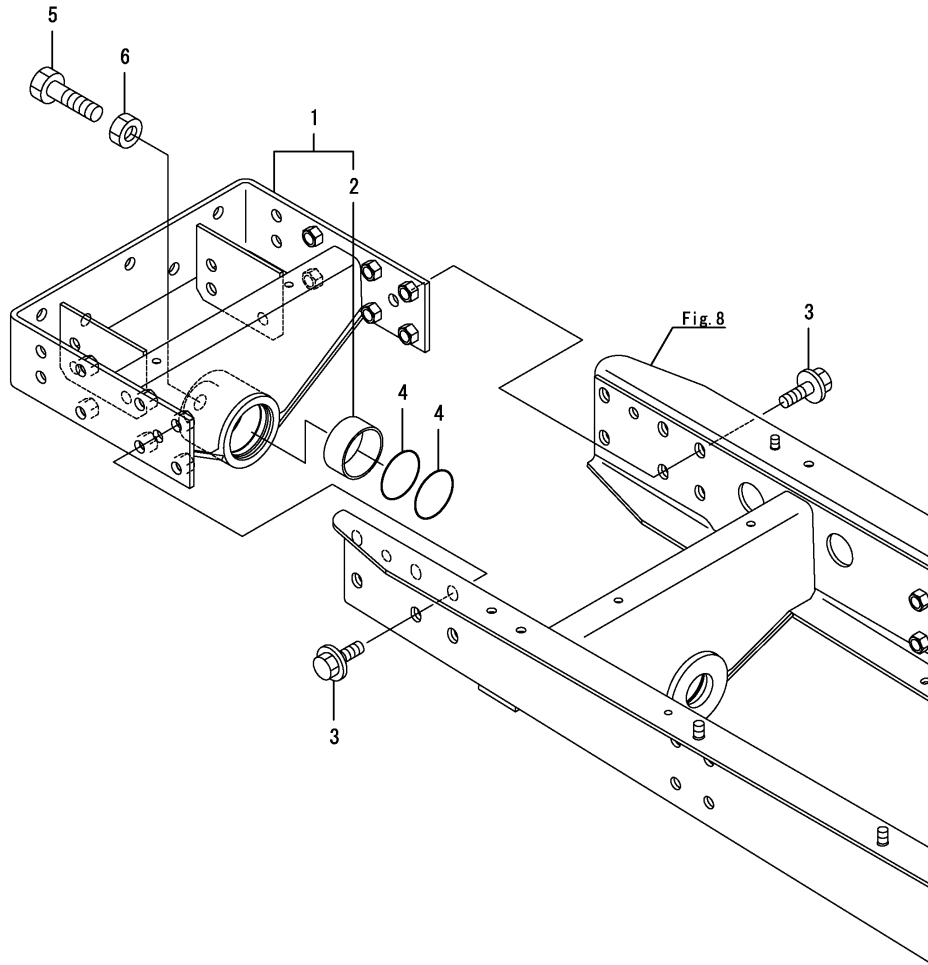


Fig.12. FRONT SUPPORT

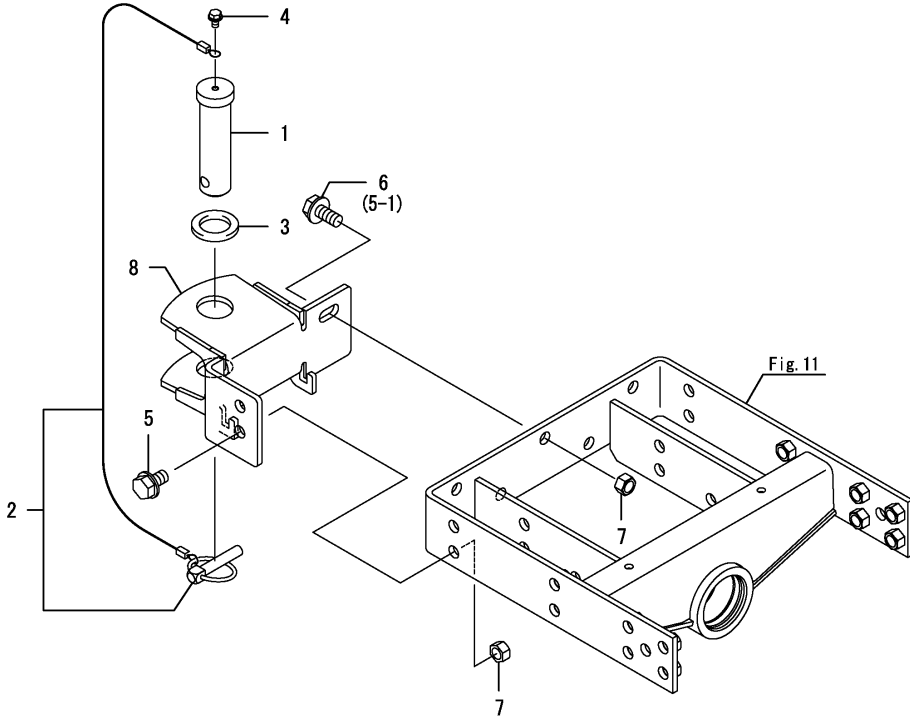


(A)=SA221,EU
(B)=SA424,EU
(C)=

(D)=
(E)=
(F)=

No.	Lev.	Parts No.	Description	Q'ty						I	R	
				(A)	(B)	(C)	(D)	(E)	(F)			
1	1	1A8320-11590	SUPPORT UNIT,FRONT F		1							
2	2	24550-050250	BUSH, 50X25		1							
3	1	198165-85970	BOLT, M12X35		12							
4	1	24311-000480	O-RING, 1AP48.0		2							
5	1	26116-160604	BOLT, M16X 60 PLATED		1							
6	1	26716-160002	NUT, M16		1							

Fig.13. FRONT HITCH



(A)=SA221,EU
(B)=SA424,EU
(C)=

(D)=
(E)=
(F)=

No.	Lev.	Parts No.	Description	Q'ty						I	R
				(A)	(B)	(C)	(D)	(E)	(F)		
1	1	198280-11831	PIN, FRONT HITCH	1	1						
2	1	198280-11840	PIN ASSY, LOCK	1	1						
3	1	198535-62780	SPACER	1	1						
4	1	26106-060102	BOLT, M6X 10 PLATED	1	1						
5	1	26106-120202	BOLT, M12X 20 PLATED	2	2						
5-1	1	26106-120302	BOLT, M12X 30 PLATED	3	3						N
6	1	(A=F500002) (B=F500001) 26106-120252	BOLT, M12X 25 PLATED	1	1						Z
7	1	26716-120002	NUT, M12	3	3						
8	1	1A8330-11800	HITCH ASSY, FRONT	1	1						
8-1	1	1A8330-11801	HITCH ASSY, FRONT	1	1						N
		(A=F500002) (B=F500001)									

Fig.14. TIE ROD

(A)=SA221,EU
 (B)=SA424,EU
 (C)=

(D)=
 (E)=
 (F)=

No.	Lev.	Parts No.	Description	Q'ty						I	R
				(A)	(B)	(C)	(D)	(E)	(F)		
1	1	1A8330-12310	TIE-ROD ASSY	1	1						
1-1	1	1A8330-12311	TIE-ROD ASSY	1	1						N
		(A=F500002) (B=F500001)									
2	2	1A8330-12460	COVER, DUST	1	1						
3	2	22417-250400	PIN, COTTER 2.5X40	1	1						
4	2	24761-060000	NIPPLE, GREASE MT6X1	1	1						
5	2	1A8330-12460	COVER, DUST	1	1						
6	2	22417-250400	PIN, COTTER 2.5X40	1	1						
7	2	24761-060000	NIPPLE, GREASE MT6X1	1	1						
8	1	194215-12341	NUT, CASTLE M10	2	2						
9	1	22417-250250	PIN, COTTER 2.5X25	2	2						

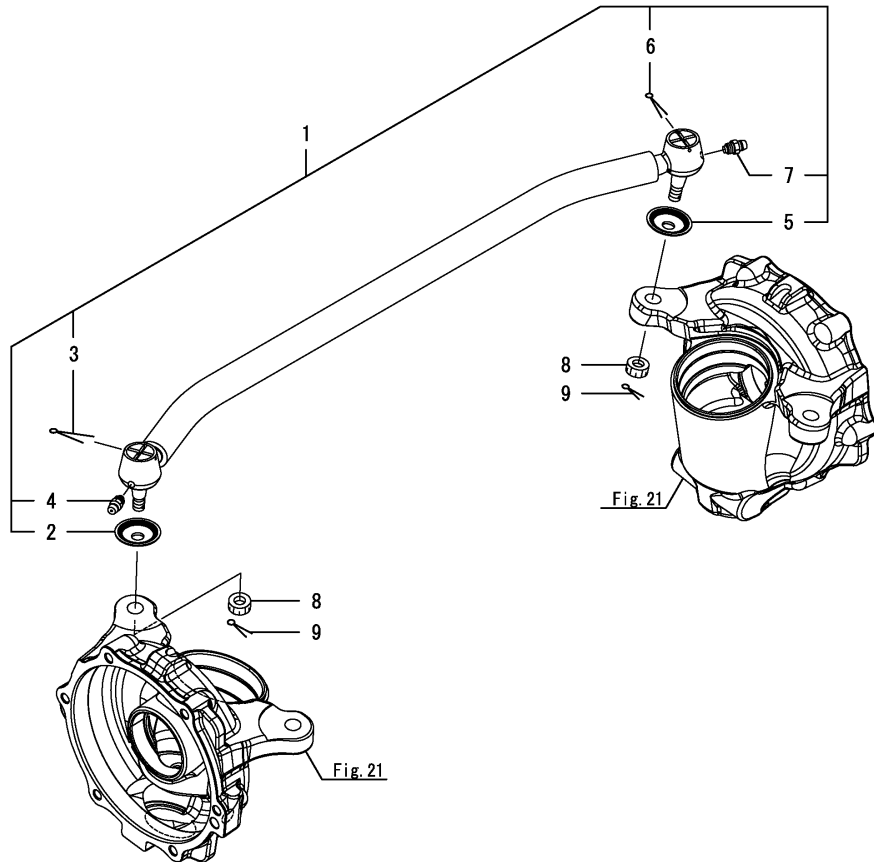


Fig.15. DRIVE PINION

(A)=SA221,EU
 (B)=SA424,EU
 (C)=

(D)=
 (E)=
 (F)=

No.	Lev.	Parts No.	Description	Q'ty						I	R
				(A)	(B)	(C)	(D)	(E)	(F)		
1	1	1A8330-13130	SPACER, 30X40X3	1	1						
2	1	1A8330-13170	SHAFT, INPUT	1	1						
3	1	1A8330-13300	SHIM ASSY, 6206	1	1						
4	2	1A8330-13310	SHIM, 2.0 6206	1	1						
5	2	1A8330-13320	SHIM, 0.2 6206	4	4						
6	1	22252-000620	RING, 62	1	1						
7	1	24101-062064	BEARING, BALL 6206	2	2						
8	1	24421-306210	SEAL, OIL TC306210	1	1						

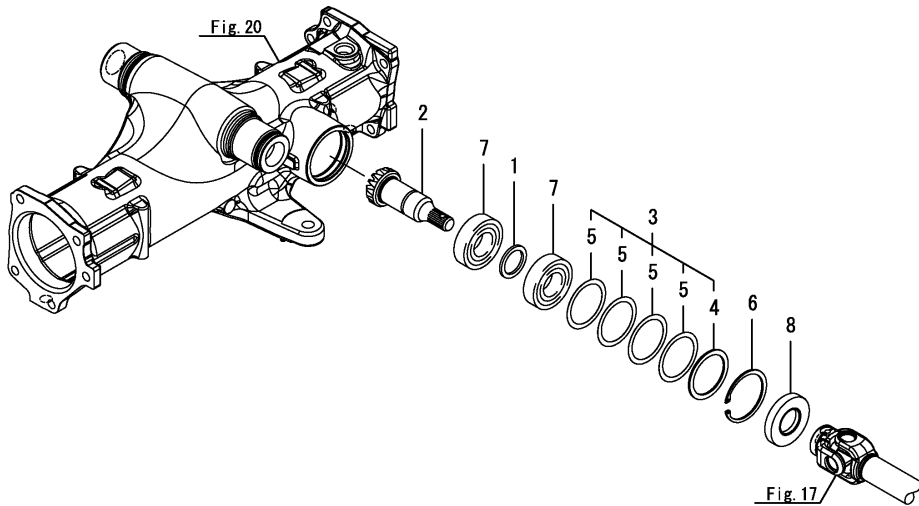


Fig.17. PROPELLER SHAFT

(A)=SA221,EU
 (B)=SA424,EU
 (C)=

(D)=
 (E)=
 (F)=

No.	Lev.	Parts No.	Description	Q'ty						I	R
				(A)	(B)	(C)	(D)	(E)	(F)		
1	1	1A8330-13400	SHAFT ASSY,PROPELLER	1							
2	1	22242-000360	RING, 36	1							
3	1	22351-035032	PIN, SPRING 3.5X32	1							
4	1	22351-060032	PIN, SPRING 6.0X32	1							

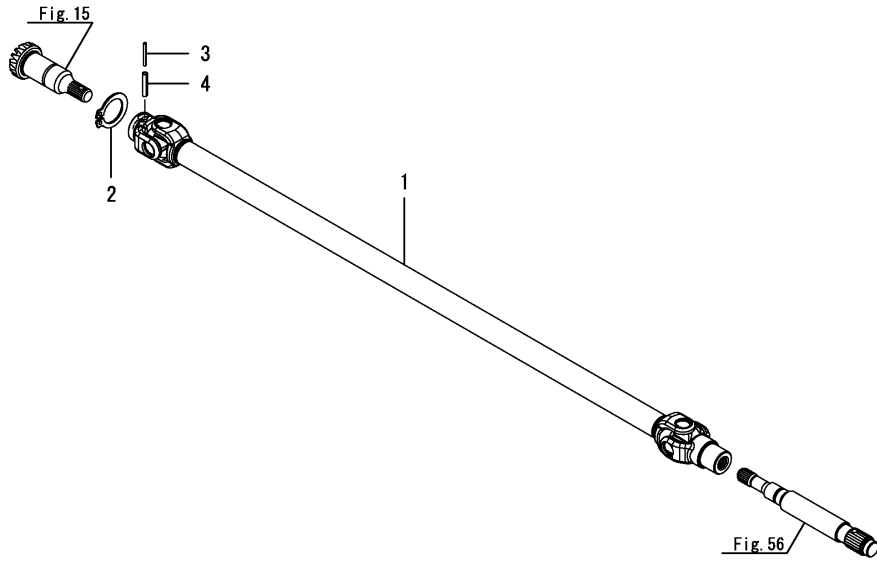


Fig.18. PROPELLER SHAFT

(A)=SA221,EU
(B)=SA424,EU
(C)=

(D)=
(E)=
(F)=

No.	Lev.	Parts No.	Description	Q'ty						I	R
				(A)	(B)	(C)	(D)	(E)	(F)		
1	1	1A8320-13400	SHAFT ASSY,PROPELLER		1						
2	1	22242-000360	RING, 36		1						
3	1	22351-035032	PIN, SPRING 3.5X32		1						
4	1	22351-060032	PIN, SPRING 6.0X32		1						

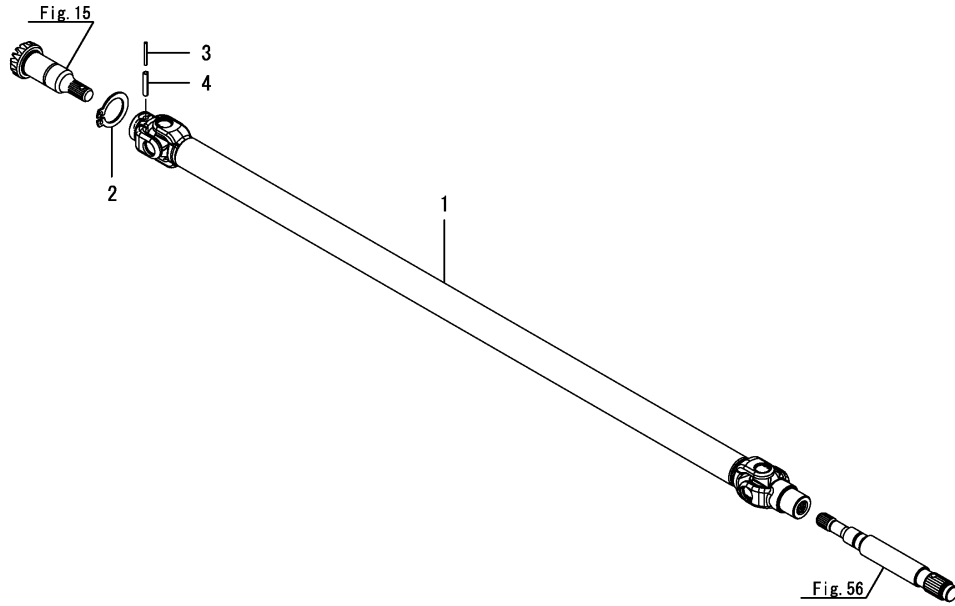
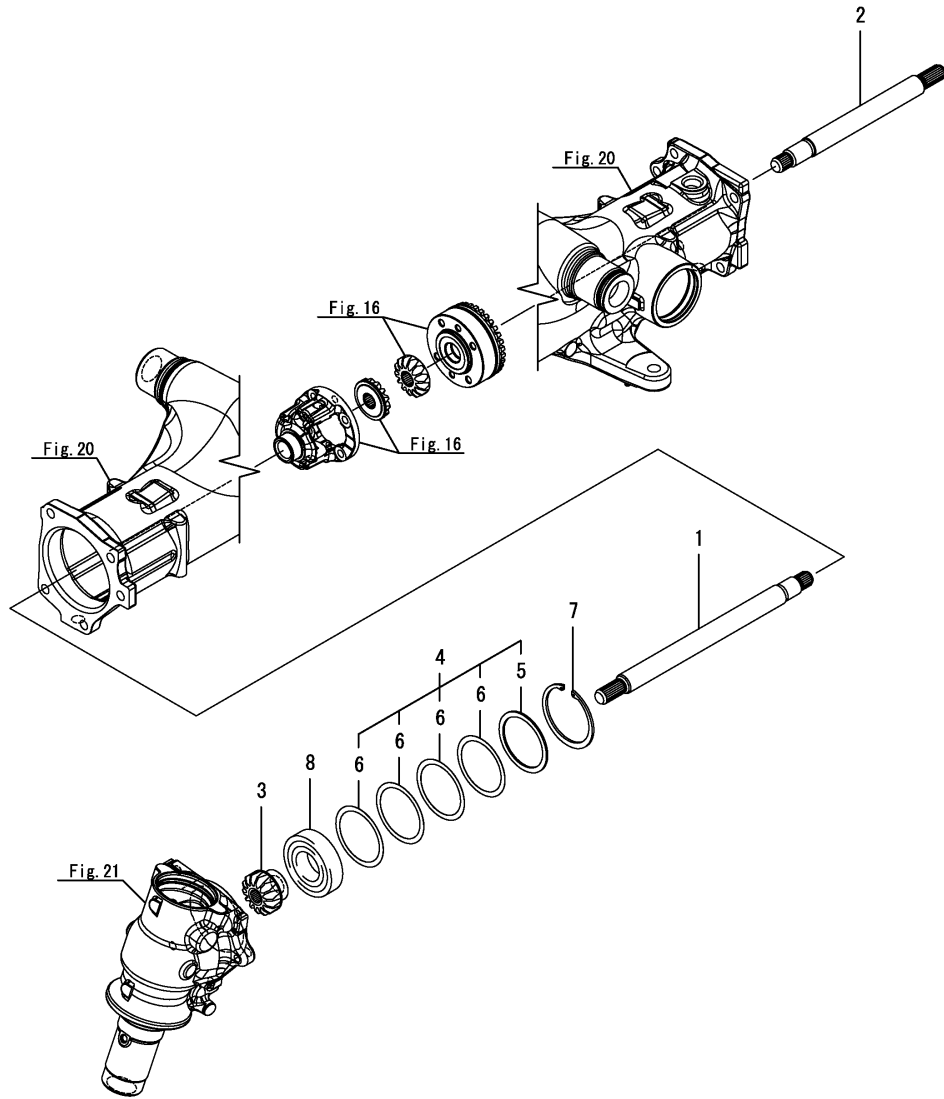


Fig.19. FRONT SHAFT(1)



(A)=SA221,EU
(B)=SA424,EU
(C)=

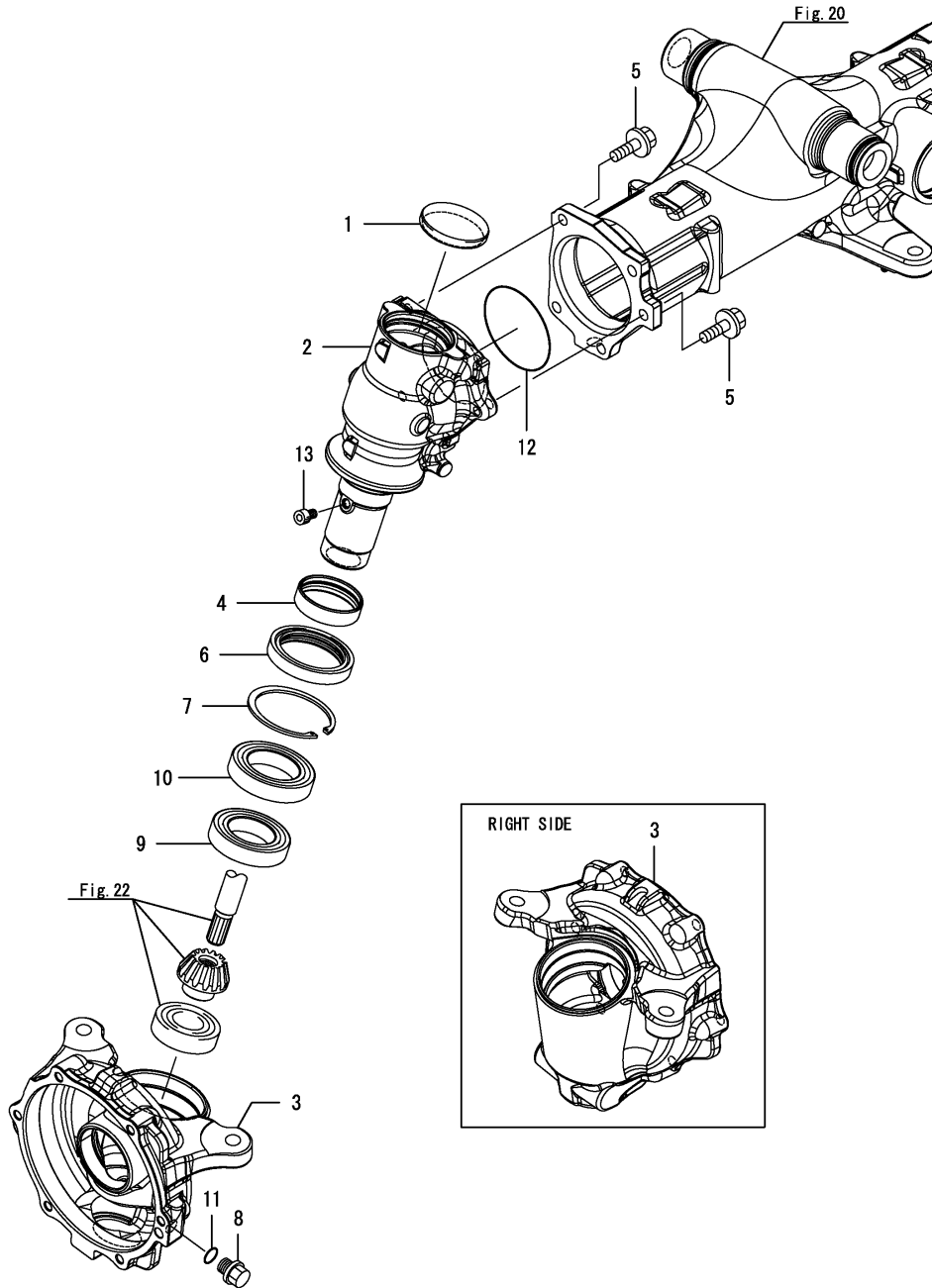
(D)=
(E)=
(F)=

No.	Lev.	Parts No.	Description	Q'ty						I	R
				(A)	(B)	(C)	(D)	(E)	(F)		
1	1	1A8330-13510	SHAFT, FRONT 1ST L	1	1						
2	1	1A8330-13520	SHAFT, FRONT 1ST R	1	1						
3	1	1A8330-13570	GEAR, BEVEL 12T	2	2						
4	1	1A8330-13650	SHIM ASSY, 6207	2	2						
5	2	1A8330-13660	SHIM, 2.0 6207	2	2						
6	2	1A8330-13670	SHIM, 0.2 6207	8	8						
7	1	22252-000720	RING, 72	2	2						
8	1	24101-062074	BEARING, BALL 6207	2	2						

Fig.21. FRONT GEAR CASE

(A)=SA221,EU
(B)=SA424,EU
(C)=

(D)=
(E)=
(F)=

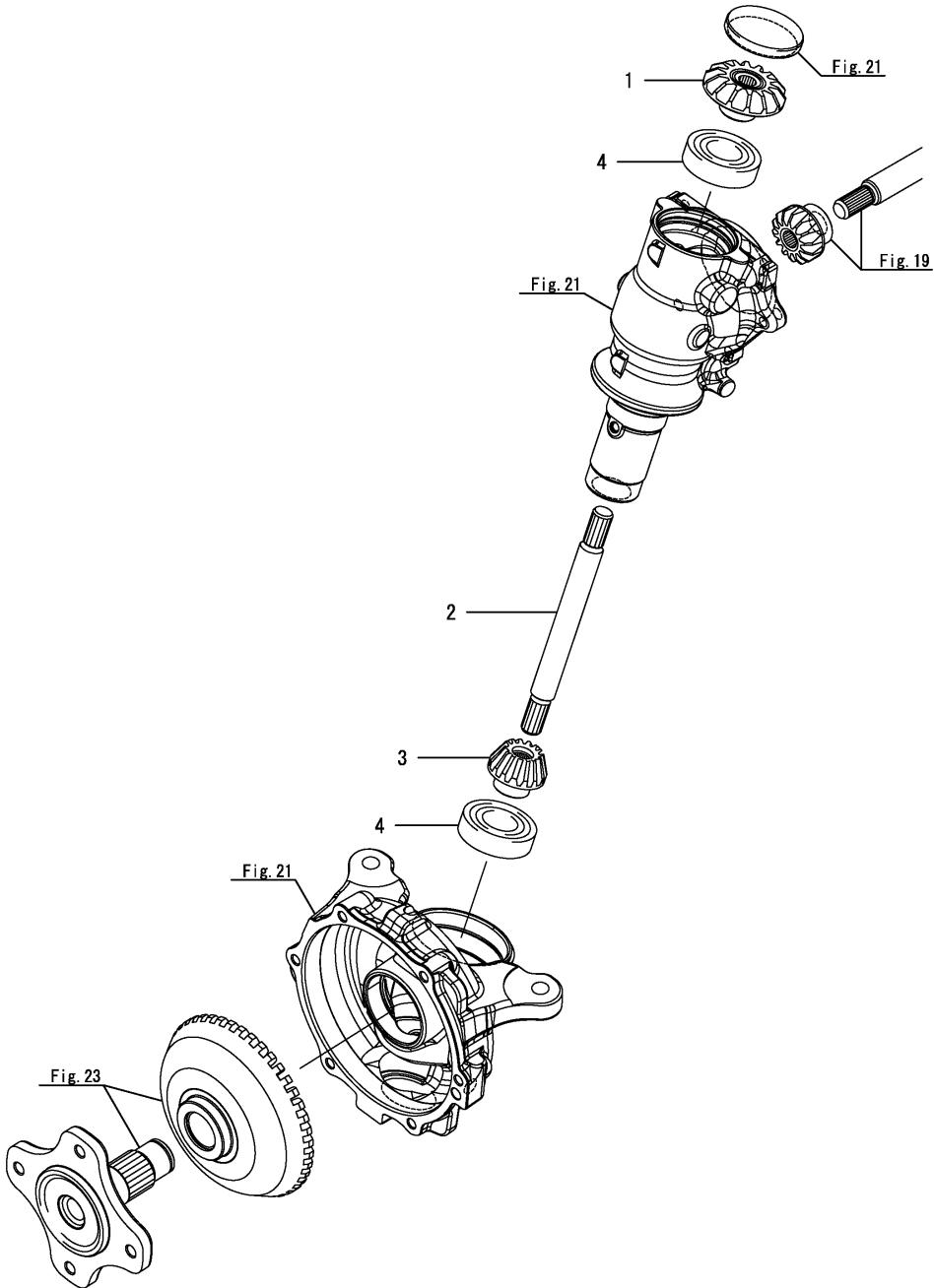


No.	Lev.	Parts No.	Description	Q'ty						I	R
				(A)	(B)	(C)	(D)	(E)	(F)		
1	1	177432-03450	PLUG	2	2						
2	1	1A8330-13711	CASE, FRONT GEAR	2	2						
3	1	1A8330-13732	CASE, FRONT GEAR BOX	2	2						
3-1	1	1A8330-13733 (A=F500037) (B=F500035)	CASE, FRONT GEAR BOX	2	2						N
4	1	1A8330-13790	SLEEVE, SI 57X62X17	2	2						
5	1	1A8310-13910	BOLT, TENSION 10X30	10	10						
6	1	194312-32660	SEAL, OIL TC6Y628012	2	2						
7	1	22252-000800	RING, 80	2	2						
8	1	23491-140002	PLUG, 14	2	2						
9	1	24101-060094	BEARING, BALL 6009	2	2						
10	1	24101-060104	BEARING, BALL 6010	2	2						
11	1	24311-000160	O-RING, 1AP16.0	2	2						
12	1	24321-000850	O-RING, 1AG85.0	2	2						
13	1	26450-080122	BOLT, M8X 12	2	2						

Fig.22. FRONT SHAFT(2)

(A)=SA221,EU
 (B)=SA424,EU
 (C)=

(D)=
 (E)=
 (F)=

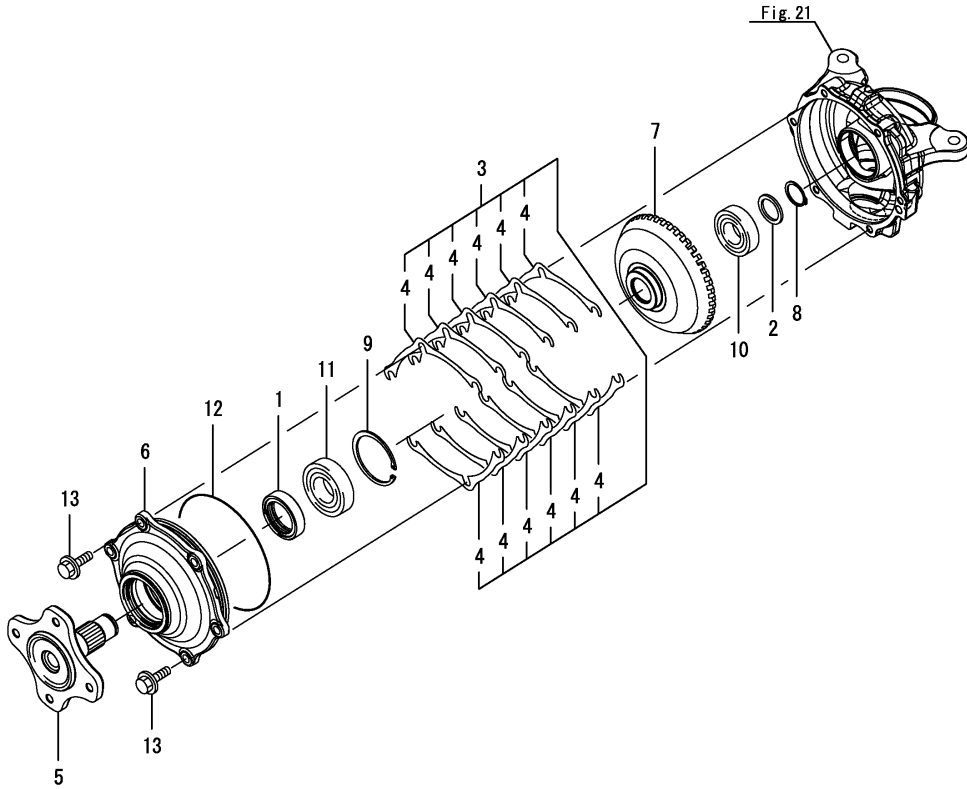


No.	Lev.	Parts No.	Description	Q'ty						I	R
				(A)	(B)	(C)	(D)	(E)	(F)		
1	1	1A8330-13580	GEAR, BEVEL 19T	2	2						
2	1	1A8330-13810	SHAFT, FRONT 2ND	2	2						
3	1	1A8330-13870	PINION, FRONT FINAL	2	2						
4	1	24101-062064	BEARING, BALL 6206	4	4						

Fig.23. FRONT SPINDLE

(A)=SA221,EU
(B)=SA424,EU
(C)=

(D)=
(E)=
(F)=



No.	Lev.	Parts No.	Description	Q'ty						I	R
				(A)	(B)	(C)	(D)	(E)	(F)		
1	1	194314-12720	SEAL, OIL TC6Y456214	2	2						
2	1	1A8330-13130	SPACER, 30X40X3	2	2						
3	1	1A8330-13910	SHIM ASSY, CASE BEAR	2	2						
4	2	1A8330-13920	SHIM, 0.2 CASE BEAR	24	24						
5	1	1A8320-14110	SPINDLE, FRONT	2	2						
6	1	1A8330-14130	CASE, FRONT BEARING	2	2						
7	1	1A8330-14170	GEAR, FRONT FINAL	2	2						
7-1	1	1A8330-14171	GEAR, F FINAL	2	2						N
		(A=F500037) (B=F500035)									
8	1	22242-000300	RING, 30	2	2						
9	1	22252-000720	RING, 72	2	2						
10	1	24101-062064	BEARING, BALL 6206	2	2						
11	1	24101-062074	BEARING, BALL 6207	2	2						
12	1	24321-001600	O-RING, 1AG160.0	2	2						
13	1	26106-100302	BOLT, M10X 30 PLATED	12	12						

Fig.24. SHAFT COVER

(A)=SA221,EU
(B)=SA424,EU
(C)=

(D)=
(E)=
(F)=

No.	Lev.	Parts No.	Description	Q'ty						I	R
				(A)	(B)	(C)	(D)	(E)	(F)		
1	1	1A8330-14620	COVER, SHAFT	1	1						
2	1	23000-080000	CLAMP, 80	1	1						

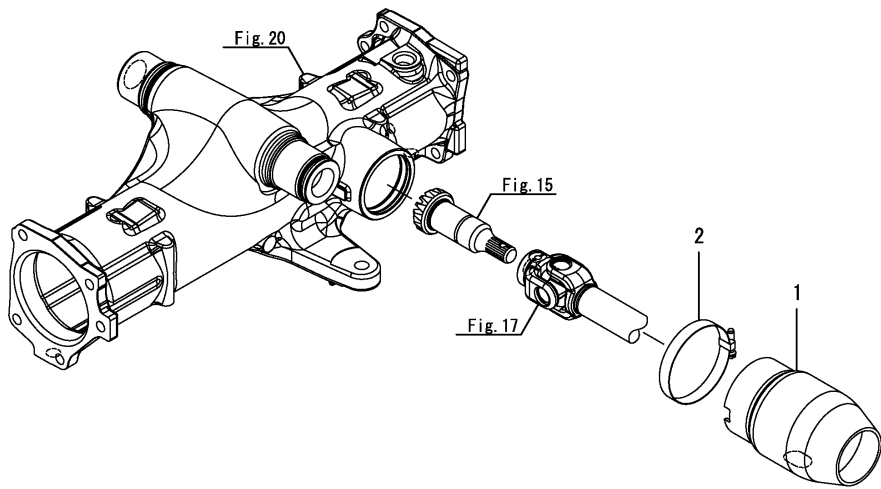
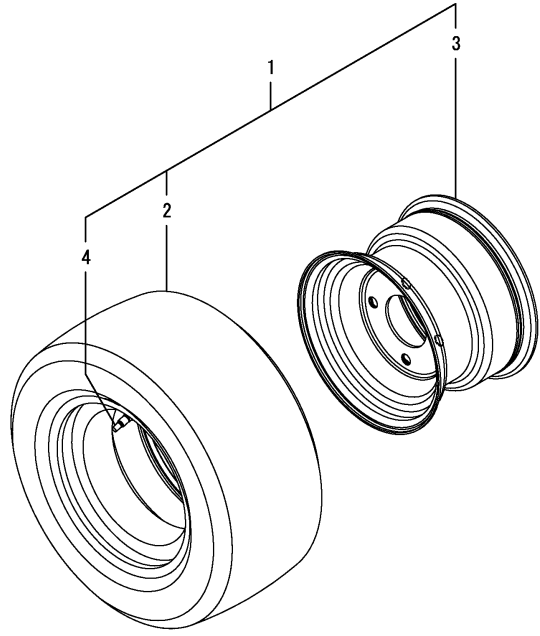


Fig.25. FRONT WHEEL TIRE(R3)

(A)=SA221,EU
(B)=SA424,EU
(C)=

(D)=
(E)=
(F)=

No.	Lev.	Parts No.	Description	Q'ty						I	R
				(A)	(B)	(C)	(D)	(E)	(F)		
1	1	1A8330-14500	TIRE KIT, R3 FRONT	2							
2	2	1A8330-14510	TIRE, 18X8.5-10 R3	2							
3	2	1A8330-14720	WHEEL, 10X7.0	2							
4	2	1A8330-14750	VALVE	2							



Remarks

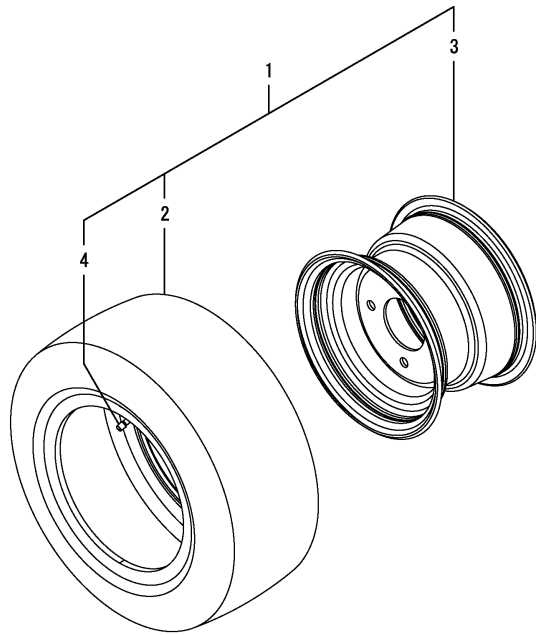
* This figure is applicable to [(A)=F500001] or previous machines.
Please refer to Fig.129 since above-mentioned Engine Serial.

Fig.129. (25A)FRONT WHEEL TIRE(R3)

(A)=SA221,EU
(B)=SA424,EU
(C)=

(D)=
(E)=
(F)=

No.	Lev.	Parts No.	Description	Q'ty						I	R
				(A)	(B)	(C)	(D)	(E)	(F)		
1	1	1A8331-14500	TIRE KIT, R3 FRONT	2							
2	2	1A8331-14510	TIRE, 18X8.5-10 R3	2							
3	2	1A8331-14720	WHEEL, 10X7.0	2							
4	2	1A8330-14750	VALVE	2							



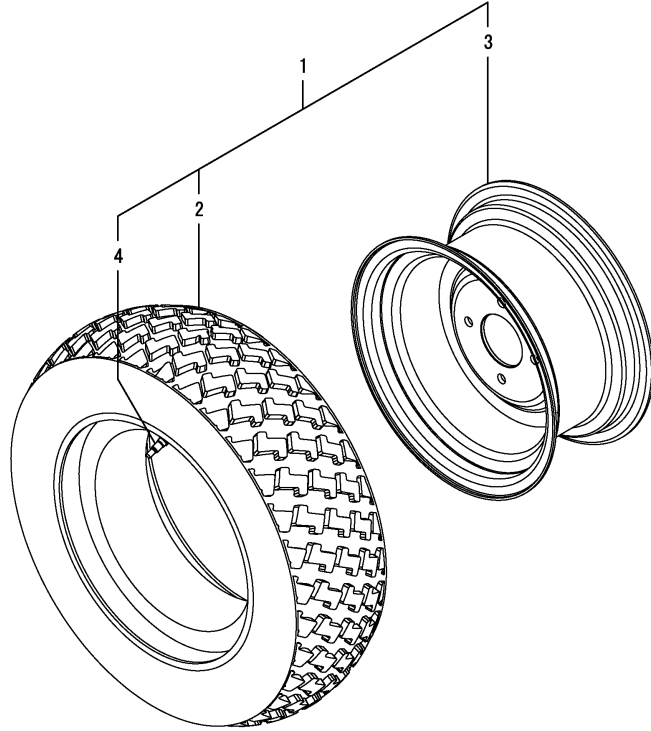
Remarks

* This figure is applicable to [(A)=F500002] or following machines.
Please refer to Fig.25 before above-mentioned Engine Serial.

Fig.26. FRONT WHEEL TIRE(R3)

(A)=SA221,EU
(B)=SA424,EU
(C)=

(D)=
(E)=
(F)=



No.	Lev.	Parts No.	Description	Q'ty						I	R	
				(A)	(B)	(C)	(D)	(E)	(F)			
1	1	1A8320-14600	TIRE KIT, R3 FRONT		2							
2	2	1A8320-14610	TIRE, 24X8.5-14 R3		2							
3	2	1A8320-14620	WHEEL, 14X7.0		2							
4	2	1A8320-14750	VALVE		2							

Remarks

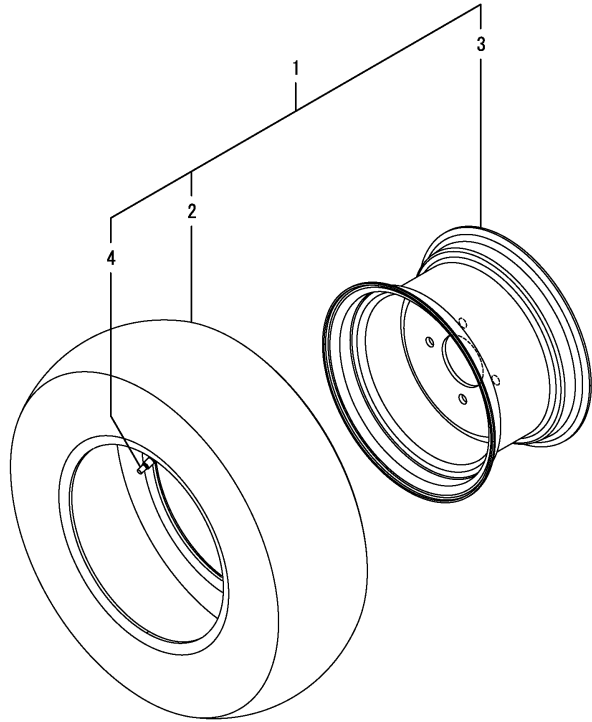
* This figure is applicable to [(B)=F500000] or previous machines.
Please refer to Fig.130 since above-mentioned Engine Serial.

Fig.130. (26A)FRONT WHEEL TIRE(R3)

(A)=SA221,EU
(B)=SA424,EU
(C)=

(D)=
(E)=
(F)=

No.	Lev.	Parts No.	Description	Q'ty						I	R
				(A)	(B)	(C)	(D)	(E)	(F)		
1	1	1A8321-14500	TIRE KIT, R3 FRONT		2						
2	2	1A8321-14510	TIRE, 23X8.5-12 R3		2						
3	2	1A8321-14520	WHEEL, 12X7.0		2						
4	2	1A8320-14750	VALVE		2						



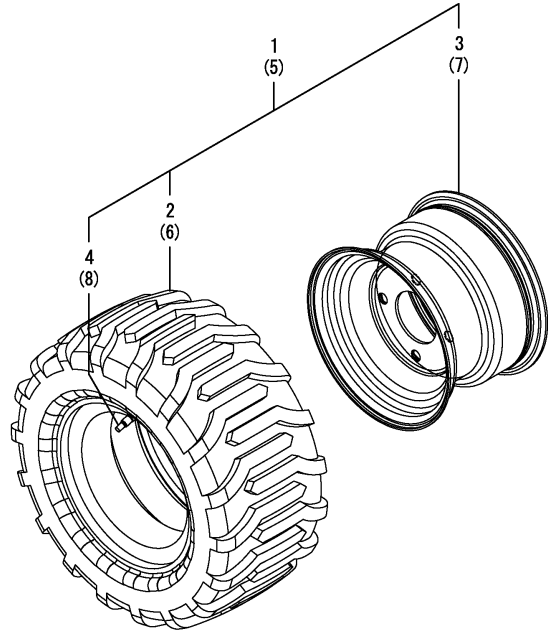
Remarks

* This figure is applicable to [(B)=F500001] or following machines.
Please refer to Fig.26 before above-mentioned Engine Serial.

Fig.27. FRONT WHEEL TIRE(R4)

(A)=SA221,EU
(B)=SA424,EU
(C)=

(D)=
(E)=
(F)=



No.	Lev.	Parts No.	Description	Q'ty						I	R
				(A)	(B)	(C)	(D)	(E)	(F)		
1	1	1A8330-14700	TIRE KIT, R4 FRONT L	1							
2	2	1A8330-14710	TIRE,18.5X5-10 R4	1							
3	2	1A8330-14720	WHEEL, 10X7.0	1							
4	2	1A8330-14750	VALVE	1							
5	1	1A8330-14800	TIRE KIT, R4 FRONT R	1							
6	2	1A8330-14710	TIRE,18.5X5-10 R4	1							
7	2	1A8330-14720	WHEEL, 10X7.0	1							
8	2	1A8330-14750	VALVE	1							

Remarks

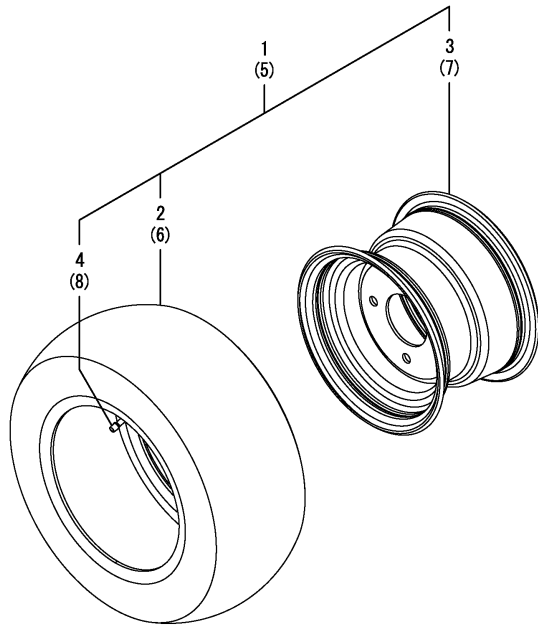
* This figure is applicable to [(A)=F500001] or previous machines.
Please refer to Fig.131 since above-mentioned Engine Serial.

Fig.131. (27A)FRONT WHEEL TIRE(R4)

(A)=SA221,EU
(B)=SA424,EU
(C)=

(D)=
(E)=
(F)=

No.	Lev.	Parts No.	Description	Q'ty						I	R
				(A)	(B)	(C)	(D)	(E)	(F)		
1	1	1A8331-14700	TIRE KIT, R4 FRONT L	1							
2	2	1A8331-14710	TIRE,18.5X5-10 R4	1							
3	2	1A8331-14720	WHEEL, 10X7.0	1							
4	2	1A8330-14750	VALVE	1							
5	1	1A8331-14800	TIRE KIT, R4 FRONT R	1							
6	2	1A8331-14710	TIRE,18.5X5-10 R4	1							
7	2	1A8331-14720	WHEEL, 10X7.0	1							
8	2	1A8330-14750	VALVE	1							



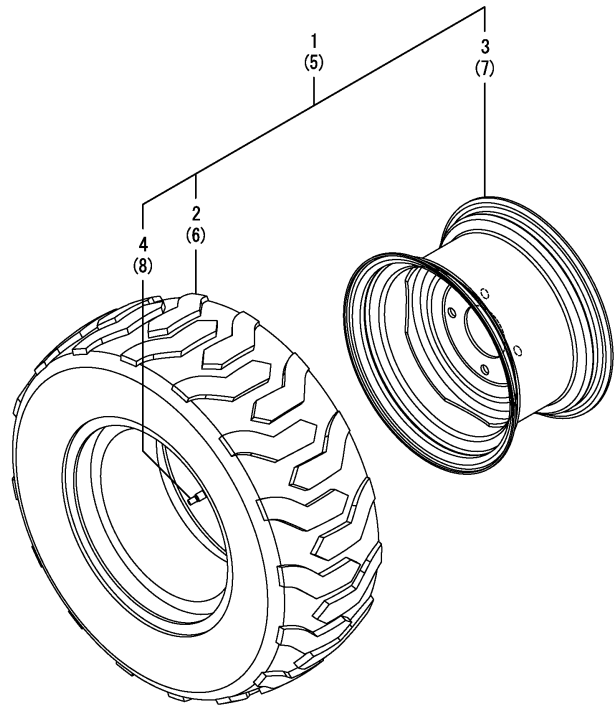
Remarks

* This figure is applicable to [(A)=F500002] or following machines.
Please refer to Fig.27 before above-mentioned Engine Serial.

Fig.28. FRONT WHEEL TIRE(R4)

(A)=SA221,EU
(B)=SA424,EU
(C)=

(D)=
(E)=
(F)=



No.	Lev.	Parts No.	Description	Q'ty						I	R	
				(A)	(B)	(C)	(D)	(E)	(F)			
1	1	1A8320-14700	TIRE KIT, R4 FRONT L		1							
2	2	1A8320-14710	TIRE,23X8.5-12 R4		1							
3	2	1A8320-14720	WHEEL		1							
4	2	1A8320-14750	VALVE		1							
5	1	1A8320-14800	TIRE KIT, R4 FRONT R		1							
6	2	1A8320-14710	TIRE,23X8.5-12 R4		1							
7	2	1A8320-14720	WHEEL		1							
8	2	1A8320-14750	VALVE		1							

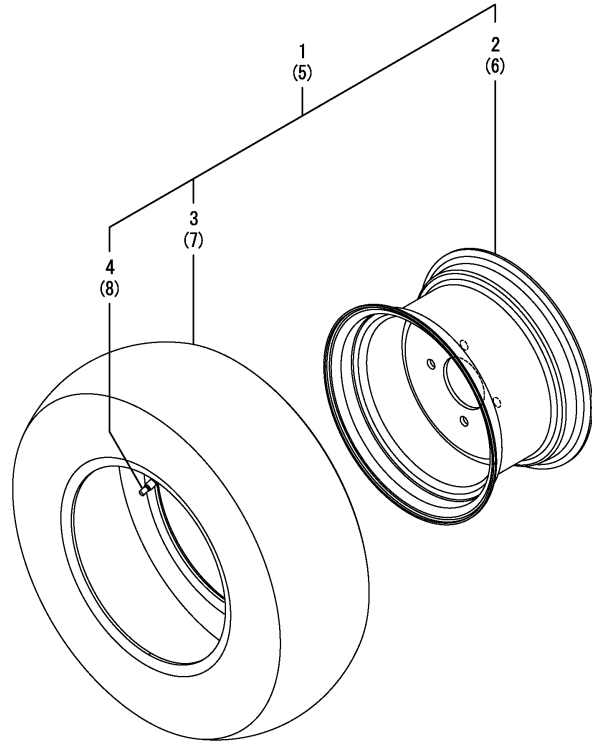
Remarks

* This figure is applicable to [(B)=F500000] or previous machines.
Please refer to Fig.132 since above-mentioned Engine Serial.

Fig.132. (28A)FRONT WHEEL TIRE(R4)

(A)=SA221,EU
(B)=SA424,EU
(C)=

(D)=
(E)=
(F)=



No.	Lev.	Parts No.	Description	Q'ty						I	R	
				(A)	(B)	(C)	(D)	(E)	(F)			
1	1	1A8321-14700	TIRE KIT, R4 FRONT L		1							
2	2	1A8321-14520	WHEEL, 12X7.0		1							
3	2	1A8321-14710	TIRE,23X8.5-12 R4		1							
4	2	1A8320-14750	VALVE		1							
5	1	1A8321-14800	TIRE KIT, R4 FRONT R		1							
6	2	1A8321-14520	WHEEL, 12X7.0		1							
7	2	1A8321-14710	TIRE,23X8.5-12 R4		1							
8	2	1A8320-14750	VALVE		1							

Remarks

* This figure is applicable to [(B)=F500001] or following machines.
Please refer to Fig.28 before above-mentioned Engine Serial.

Fig.29. HUB BOLT

(A)=SA221,EU
(B)=SA424,EU
(C)=

(D)=
(E)=
(F)=

No.	Lev.	Parts No.	Description	Q'ty						I	R
				(A)	(B)	(C)	(D)	(E)	(F)		
1	1	194881-12650	BOLT, M14X24	8	8						

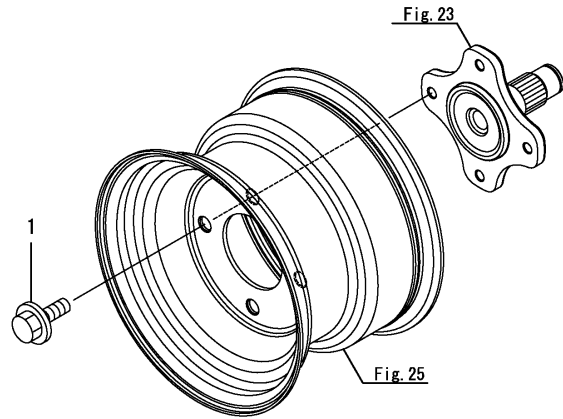
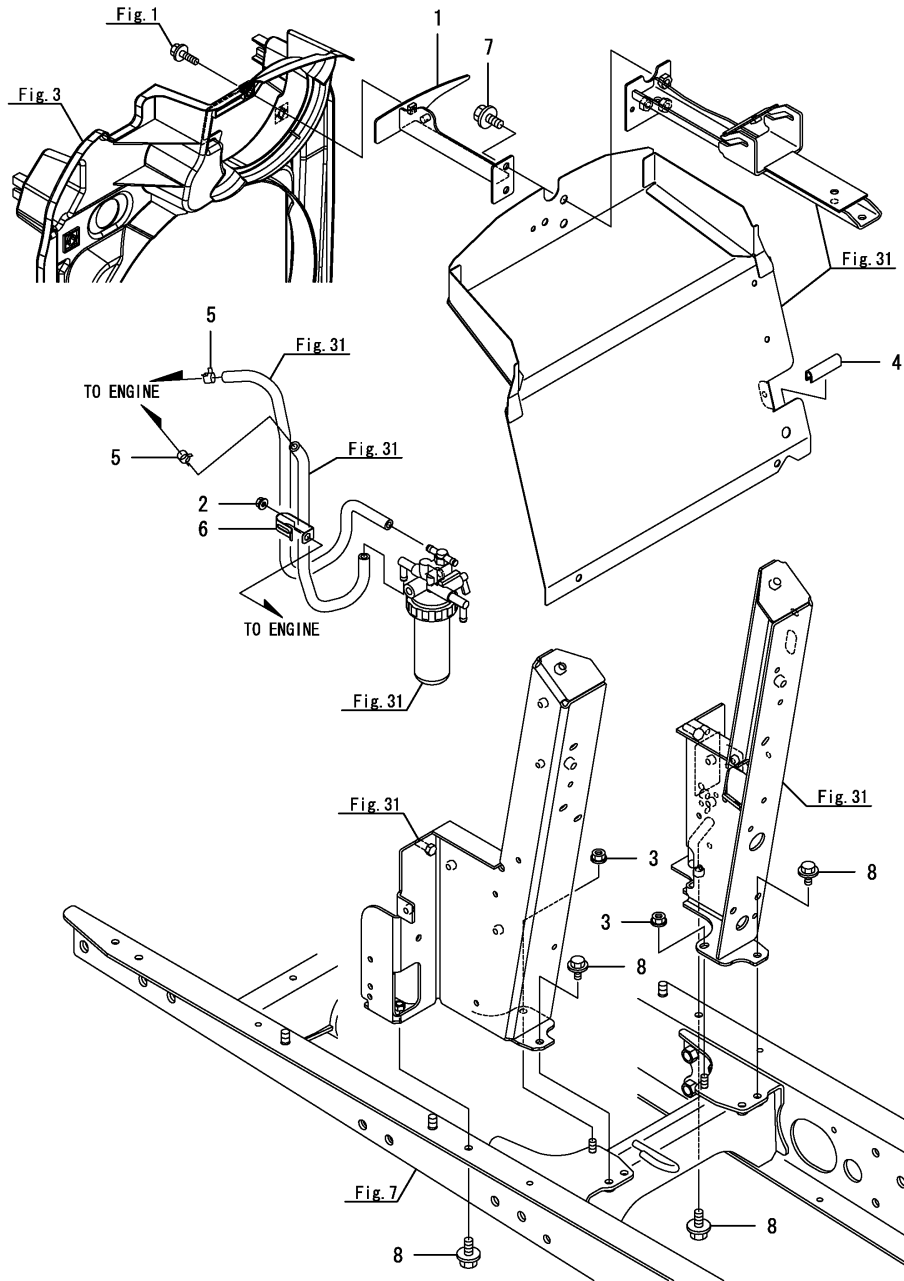


Fig.30. COLUMN(1)



(A)=SA221,EU
(B)=SA424,EU
(C)=

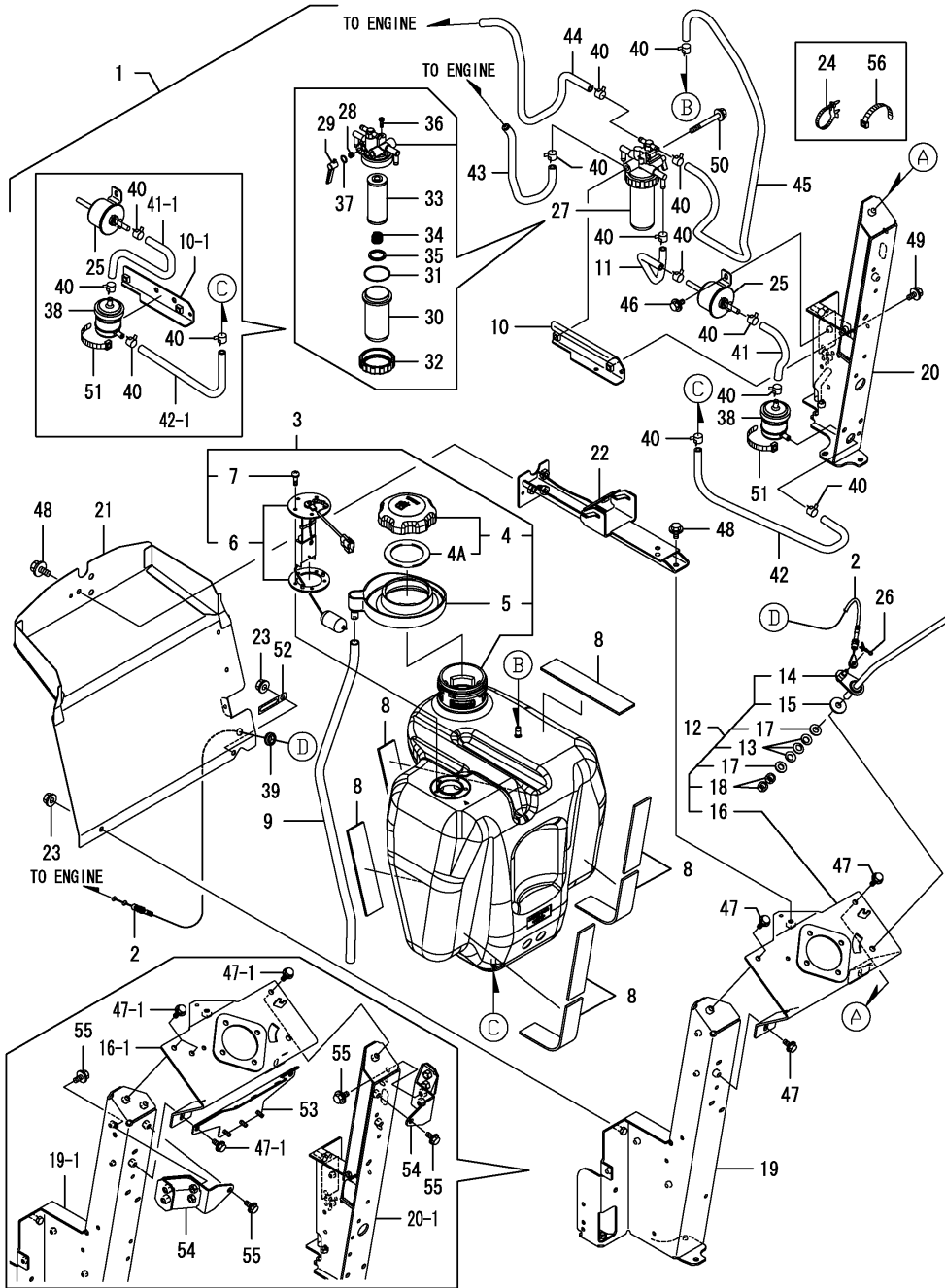
(D)=
(E)=
(F)=

No.	Lev.	Parts No.	Description	Q'ty						I	R
				(A)	(B)	(C)	(D)	(E)	(F)		
1	1	1A8330-01310	FRAME ASSY,CONNECTING	1	1						
2	1	194990-22130	NUT, M6	1	1						
3	1	194990-22140	NUT, M8	2	2						
4	1	195616-24930	TRIM	1	1						
5	1	114270-59010	CLAMP, HOSE 12	2	2						
6	1	1E6102-83230	CLAMP, BATTERY CABLE	1	1						
7	1	26106-080162	BOLT, M8X 16 PLATED	2	2						
8	1	26106-080162	BOLT, M8X 16 PLATED	4	4						

Fig.31. COLUMN(2)

(A)=SA221,EU
(B)=SA424,EU
(C)=

(D)=
(E)=
(F)=



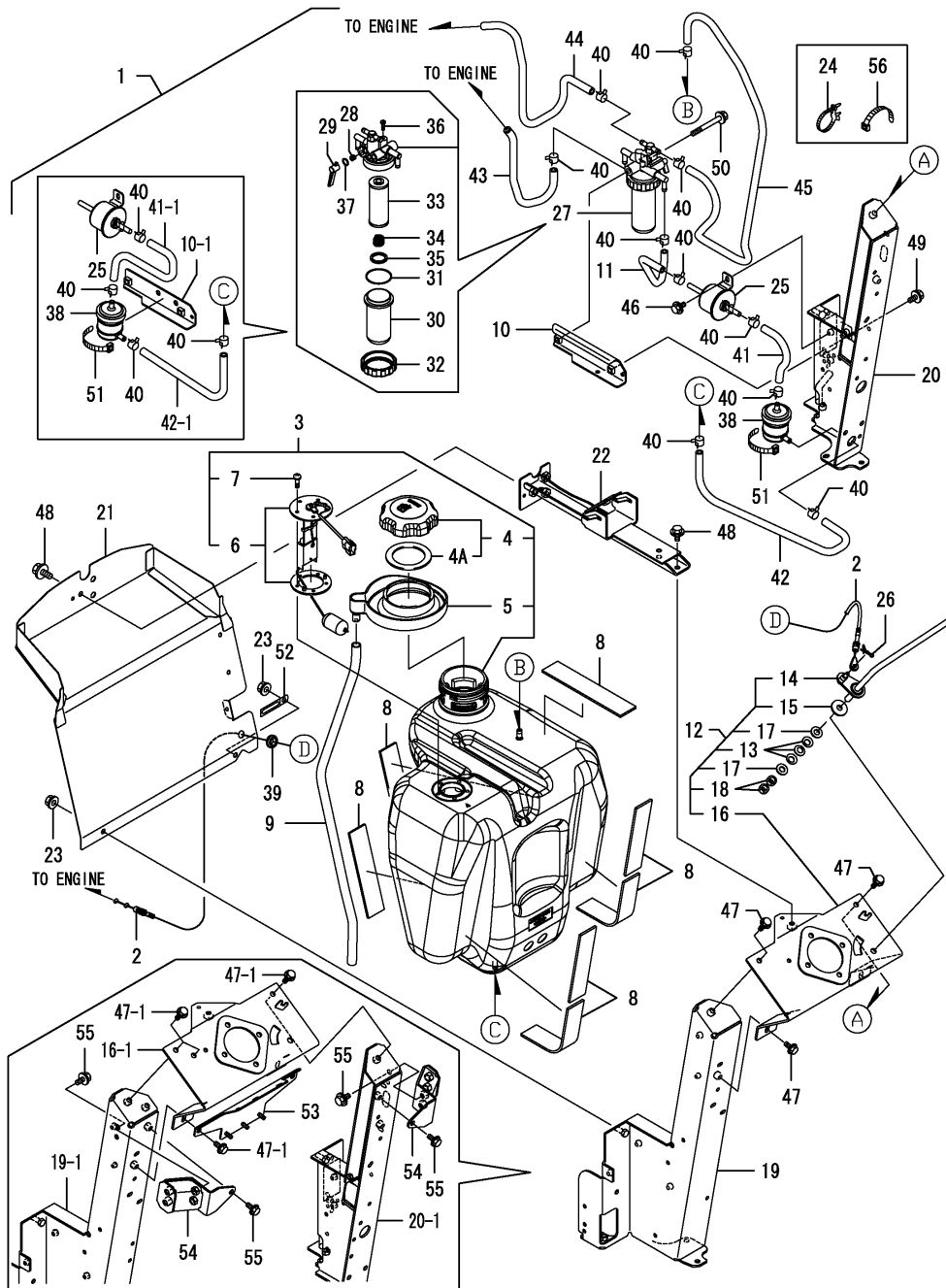
No.	Lev.	Parts No.	Description	Qty						I	R
				(A)	(B)	(C)	(D)	(E)	(F)		
1	1	1A8330-15051	COLUMN UNIT	1	1						
1-1	1	1A8330-15052	COLUMN UNIT	1	1						N
		(A=F500002) (B=F500001)									
1-2	1	1A8330-15053	COLUMN UNIT	1	1						N
		(A=*2018.02) (B=*2018.02)									
2	2	1A8330-01150	CABLE ASSY, ACCEL	1	1						
3	2	1A8330-04011	TANK ASSY, FO W/GAUGE	1	1						
4	3	1A8330-04030	CAP ASSY, FILLER	1	1						
4A	4	198200-04040	GASKET, FUEL CAP	1	1						
5	3	1A8330-04070	SUMP	1	1						
6	3	1A8330-56601	SENSOR ASSY, FUEL	1	1						
7	3	26022-050162	SCREW, M5X16	5	5						
8	2	1A8330-04050	RUBBER, CUSHION	7	7						
9	2	1A8330-04081	HOSE, DRAIN	1	1						
10	2	1A8330-04200	STAY ASSY, FUEL HOSE	1	1						
10-1	2	1A8330-04201	STAY ASSY, FUEL HOSE	1	1						N
		(A=*2018.02) (B=*2018.02)									
11	2	1A8330-04610	HOSE, FUEL A	1	1						
12	2	1A8330-15101	BRACKET ASSY, COLUMN	1	1						
12-1	2	1A8330-15102	BRACKET ASSY, COLUMN	1	1						N
		(A=F500002) (B=F500001)									
13	3	194740-00160	SPRING, 10	3	3						
14	3	1A8330-01110	LEVER ASSY, ACCEL	1	1						
15	3	198200-01260	PLATE, FRICTION	1	1						
16	3	1A8330-15111	BRACKET, COLUMN	1	1						
16-1	3	1A8330-15112	BRACKET, COLUMN	1	1						N
		(A=F500002) (B=F500001)									
17	3	22137-100000	WASHER, 10	2	2						
18	3	26716-100002	NUT, M10	2	2						
19	2	1A8330-15190	COLUMN ASSY, M L	1	1						
19-1	2	1A8330-15191	M ASSY, COLUMN L	1	1						N
		(A=F500002) (B=F500001)									
19-2	2	1A8330-15192	M ASSY, COLUMN L	1	1						N
		(A=*2018.09) (B=*2018.09)									
20	2	1A8330-15253	FRAME ASSY, COLUMN R	1	1						
20-1	2	1A8330-15254	FRAME ASSY, COLUMN R	1	1						N
		(A=F500002) (B=F500001)									
21	2	1A8330-15301	PLATE ASSY, SHIELD	1	1						
22	2	1A8330-15402	FRAME ASSY, CONNECT R	1	1						
23	2	194990-22140	NUT, M8	2	2						
24	2	194680-51670	BAND, CLIP	5	5						
24-1	2	194680-51670	BAND, CLIP	4	4						K
		(A=*2018.02) (B=*2018.02)									
25	2	119225-52102	PUMP, FUEL FEED	1	1						
26	2	1C6281-52310	PIN, SNAP 6	1	1						
27	2	129053-55621	FILTER ASSY, FUEL	1	1						
28	3	104200-55330	SPRING, FUEL VALVE	1	1						
29	3	119810-55340	LEVER, FUEL	1	1						
30	3	129107-55510	CUP, STRAINER	1	1						
31	3	102103-55520	O-RING, FILTER	1	1						
32	3	110250-55610	RING, CUP RETAINING	1	1						

N:Old $\begin{matrix} \text{Yes} \\ \hline \text{No} \end{matrix}$ New, Q:Old $\begin{matrix} \text{No} \\ \hline \text{Yes} \end{matrix}$ New, R:Old $\begin{matrix} \text{Yes} \\ \hline \text{No} \end{matrix}$ New, S:Old $\begin{matrix} \text{No} \\ \hline \text{Yes} \end{matrix}$ New, W:Add, Z:Discontinued, F:Interchangeable by set, K:Q'ty Change
++ CONTINUE ++
Copyright (C) 2018 YANMAR CO., LTD. All Rights Reserved.

Fig.31. COLUMN(2)

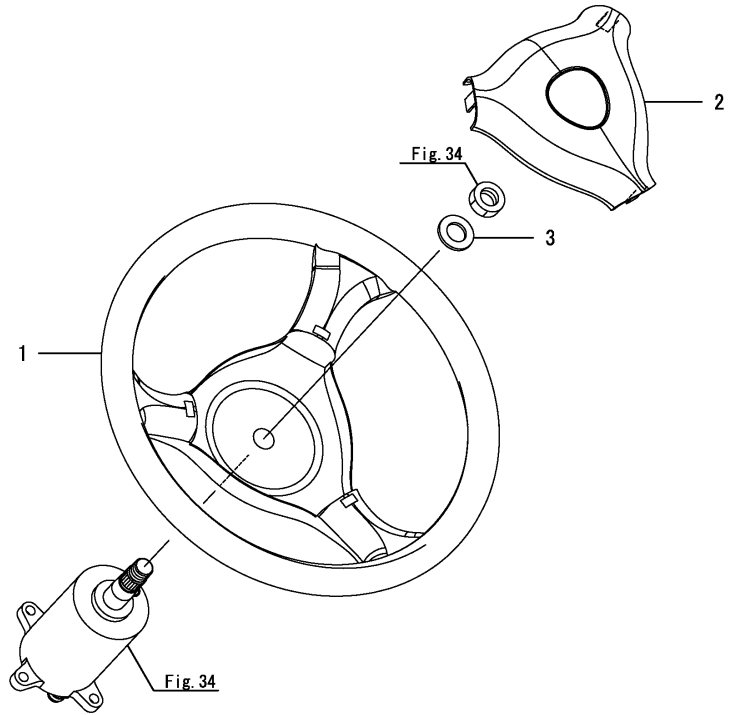
(A)=SA221,EU
(B)=SA424,EU
(C)=

(D)=
(E)=
(F)=



No.	Lev.	Parts No.	Description	(A)	(B)	Q'ty						I	R
						(C)	(D)	(E)	(F)				
33	3	119810-55650	ELEMENT, FUEL FILTER	1	1								
34	3	121257-55720	SPRING, ELEMENT	1	1								
35	3	121257-55731	FLOAT	1	1								
36	3	104200-55750	SCREW, M4	1	1								
37	3	24311-240100	O-RING, 1AP10A	1	1								
38	2	129052-55630	FILTER, FUEL INLET	1	1								
39	2	198071-58810	GROMMET, 8	1	1								
40	2	114270-59010	CLAMP, HOSE 12	10	10								
41	2	23980-730150	HOSE, 7.3X 150	1	1								
41-1	2	23980-730480	HOSE, 7.3X 480	1	1							S	
		(A=*2018.02) (B=*2018.02)											
42	2	23980-730300	HOSE, 7.3X 300	1	1								
42-1	2	23980-730480	HOSE, 7.3X 480	1	1							S	
		(A=*2018.02) (B=*2018.02)											
43	2	23980-730300	HOSE, 7.3X 300	1	1								
44	2	23980-730400	HOSE, 7.3X 400	1	1								
45	2	23980-731000	HOSE, 7.3X1000	1	1								
46	2	26106-060122	BOLT, M6X 12 PLATED	2	2								
47	2	26106-080162	BOLT, M8X 16 PLATED	4	4								
47-1	2	26106-080162	BOLT, M8X 16 PLATED	5	5							K	
		(A=F500002) (B=F500001)											
48	2	26106-080162	BOLT, M8X 16 PLATED	2	2								
49	2	26106-080162	BOLT, M8X 16 PLATED	1	1								
50	2	26106-080702	BOLT, M8X 70 PLATED	1	1								
51	2	29622-250001	BAND, RF250	1	1								
52	2	194440-51620	CLAMP, B	1	1							W	
		(A=*2018.02) (B=*2018.02)											
53	2	1A8332-52300	BRACKET, ELECTRIC	1	1							W	
		(A=F500002) (B=F500001)											
54	2	1A8332-64800	BRACKET ASSY, BASE	2	2							W	
		(A=F500002) (B=F500001)											
55	2	26106-080162	BOLT, M8X 16 PLATED	6	6							W	
		(A=F500002) (B=F500001)											
56	2	29622-250001	BAND, RF250	1	1							W	
		(A=*2018.02) (B=*2018.02)											

Fig.32. STEERING WHEEL



(A)=SA221,EU
(B)=SA424,EU
(C)=

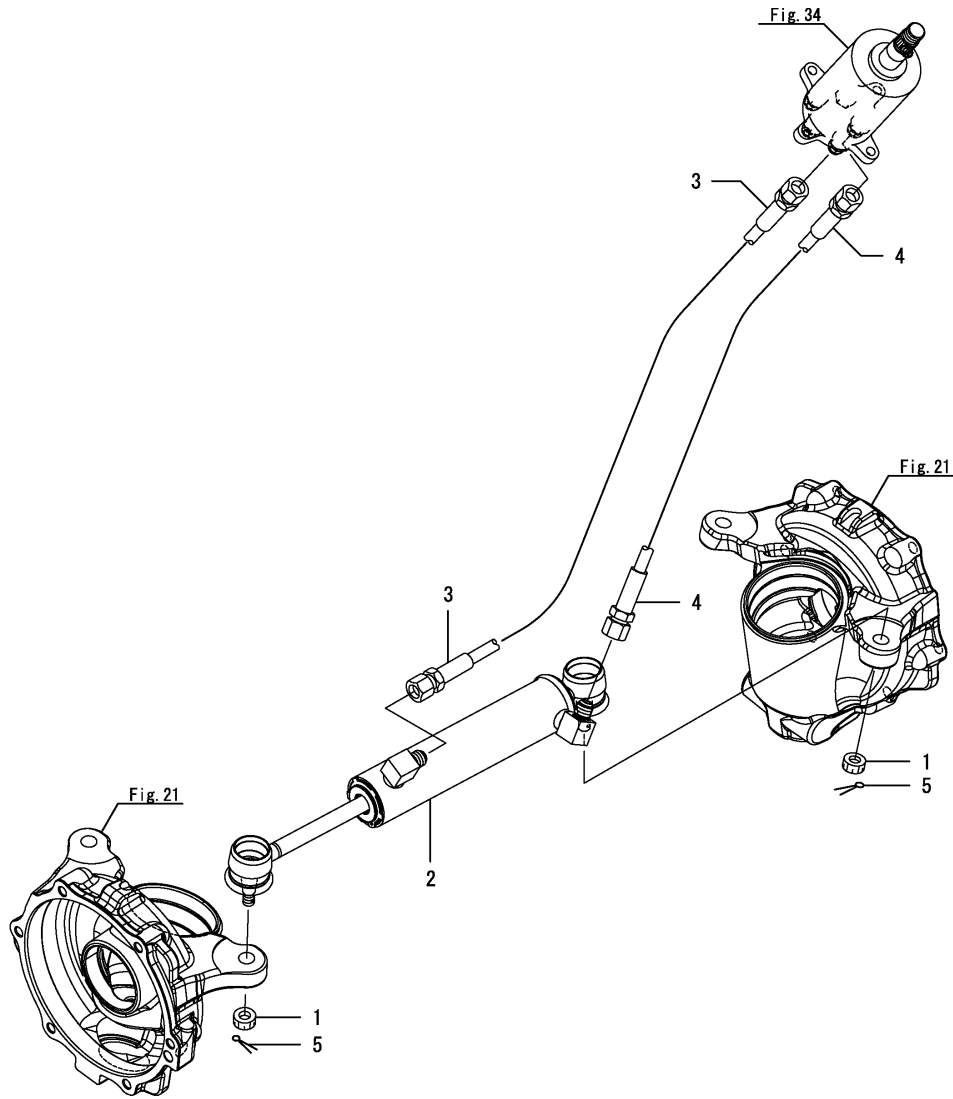
(D)=
(E)=
(F)=

No.	Lev.	Parts No.	Description	Q'ty						I	R
				(A)	(B)	(C)	(D)	(E)	(F)		
1	1	1A7880-15700	WHEEL, STEERING	1	1						
2	1	1A7880-15740	CAP, STEERING WHEEL	1	1						
3	1	22137-160000	WASHER, 16	1	1						

Fig.33. P.S.T. CYLINDER

(A)=SA221,EU
(B)=SA424,EU
(C)=

(D)=
(E)=
(F)=

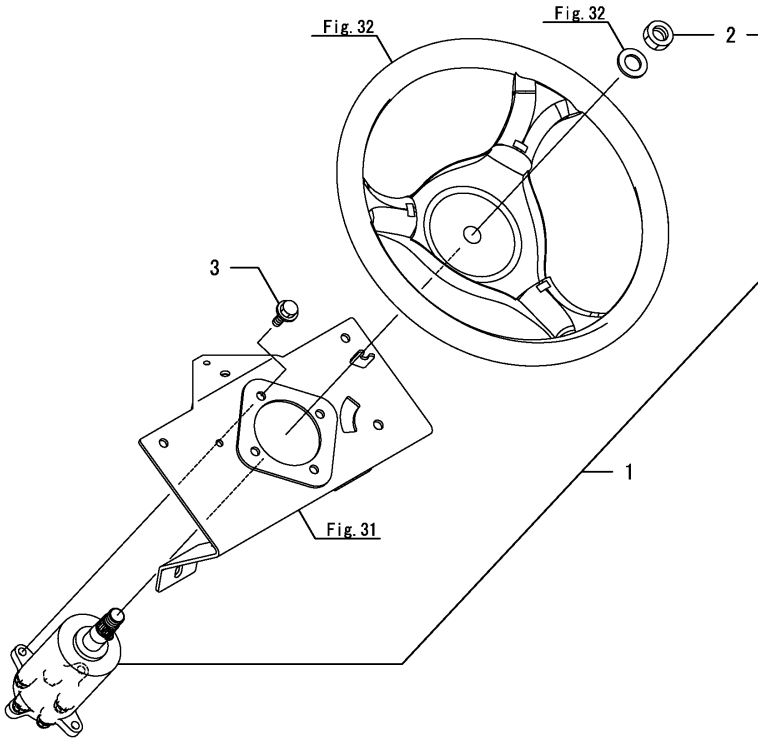


No.	Lev.	Parts No.	Description	Q'ty						I	R
				(A)	(B)	(C)	(D)	(E)	(F)		
1	1	194215-12341	NUT, CASTLE M10	2	2						
2	1	1A8330-17570	CYLINDER, STEERING	1	1						
2-1	1	1A8330-17571	CYLINDER, STEERING	1	1						N
(A=F500002) (B=F500001)											
3	1	1A8330-17830	HOSE, STEERING L	1	1						
3-1	1	1A8330-17831	HOSE, PST L	1	1						N
(A=F500002) (B=F500001)											
4	1	1A8330-17840	HOSE, STEERING R	1	1						
4-1	1	1A8330-17841	HOSE, PST R	1	1						N
(A=F500002) (B=F500001)											
5	1	22417-250250	PIN, COTTER 2.5X25	2	2						

Fig.34. P.S.T. VALVE

(A)=SA221,EU
 (B)=SA424,EU
 (C)=

(D)=
 (E)=
 (F)=



No.	Lev.	Parts No.	Description	Q'ty						I	R
				(A)	(B)	(C)	(D)	(E)	(F)		
1	1	1A8330-17501	VALVE ASSY, PST	1	1						
2	2	1A7880-17320	NUT, 5/8-18 UNF	1	1						
3	1	26106-080162	BOLT, M8X 16 PLATED	4	4						

Fig.35. P.S.T. PIPING

(A)=SA221,EU
(B)=SA424,EU
(C)=

(D)=
(E)=
(F)=

No.	Lev.	Parts No.	Description	Q'ty						I	R
				(A)	(B)	(C)	(D)	(E)	(F)		
1	1	1A8330-17810	HOSE, STEERING P	1	1						
1-1	1	1A8330-17811	HOSE, PST P	1	1						N
		(A=F500002) (B=F500001)									
2	1	1A8330-17820	HOSE, STEERING T	1	1						
2-1	1	1A8330-17821	HOSE, PST T	1	1						N
		(A=F500002) (B=F500001)									
3	1	194680-51670	BAND, CLIP	7	7						
4	1	29622-250001	BAND, RF250	3	3						

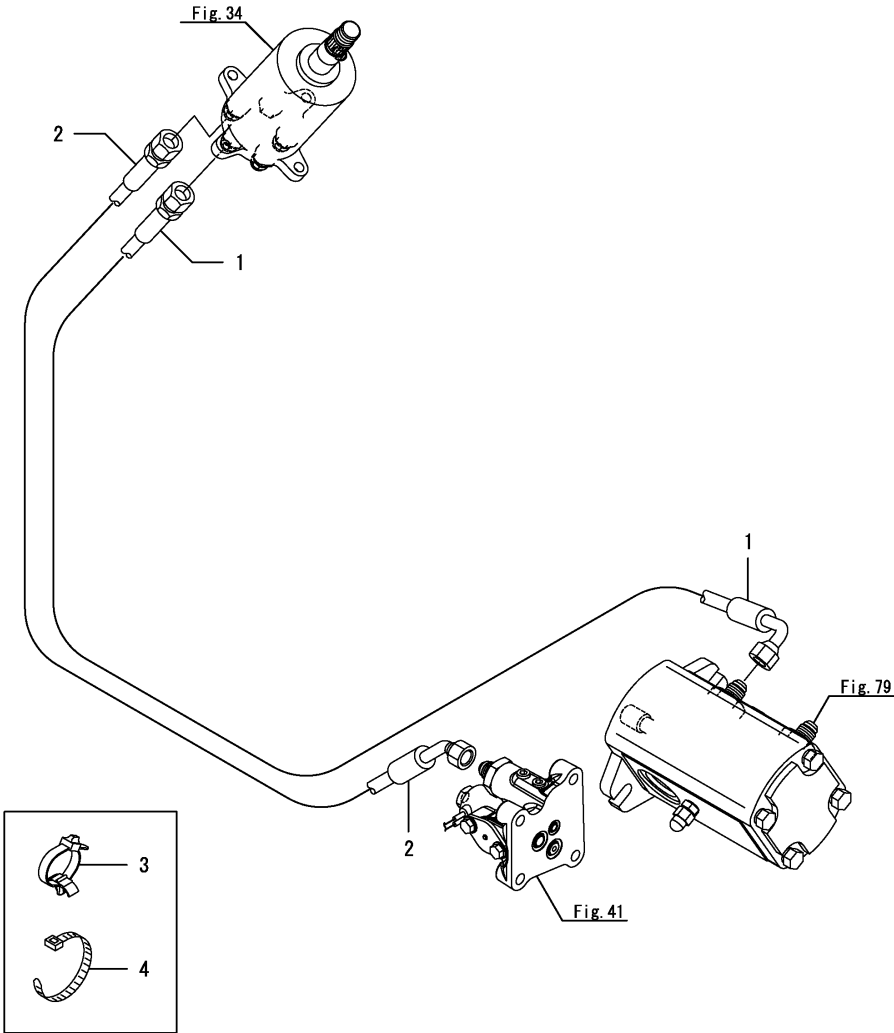


Fig.36. COOLING FAN

(A)=SA221,EU
(B)=SA424,EU
(C)=

(D)=
(E)=
(F)=

No.	Lev.	Parts No.	Description	Q'ty						I	R
				(A)	(B)	(C)	(D)	(E)	(F)		
1	1	1A8330-22100	FAN ASSY	1	1						
1-1	1	1A8330-22101	FAN ASSY	1	1						N
		(A=F500034) (B=F500035)									
2	2	1A8330-22110	FAN	1	1						
3	2	1A8330-22120	BOSS ASSY	1	1						
3-1	2	1A8330-22121	BOSS ASSY	1	1						N
		(A=F500034) (B=F500035)									
4	2	1A8330-22160	RIVET, FLAT	2	2						
4-1	2	22645-600120	RIVET, 6.0X12	2	2						R
		(A=F500031) (B=F200234)									
5	1	22242-000260	RING, 26	1	1						
6	1	22550-050121	KEY, 5X 12	1	1						

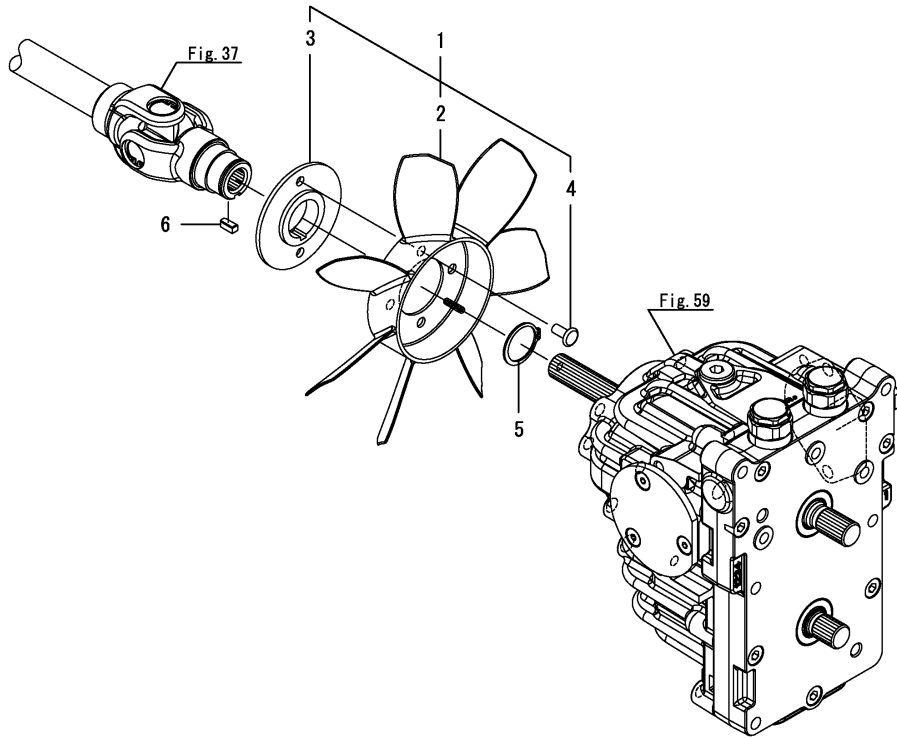
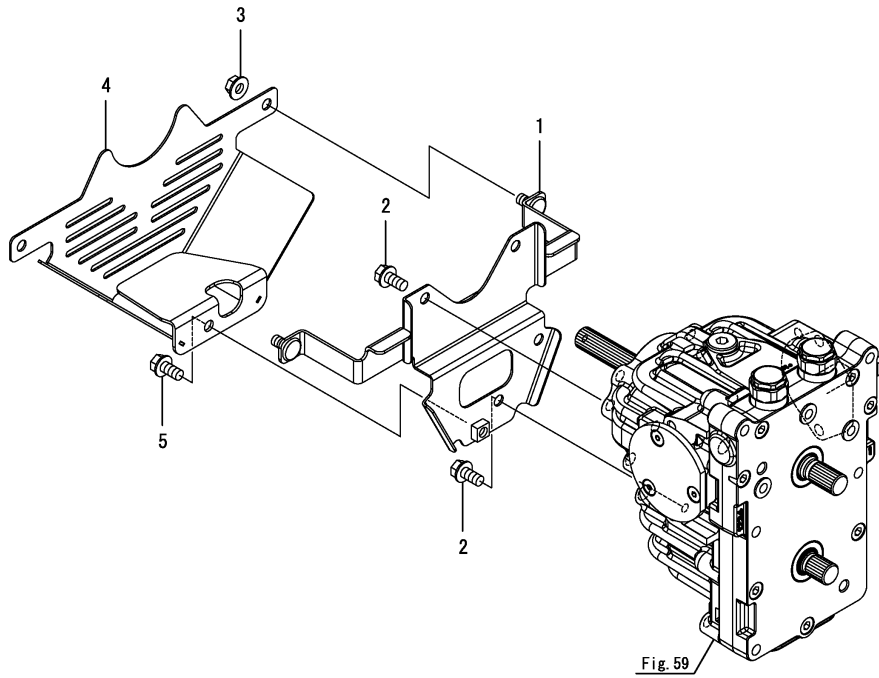


Fig.137. H.S.T. FAN GUARD

(A)=SA221,EU
(B)=SA424,EU
(C)=

(D)=
(E)=
(F)=

No.	Lev.	Parts No.	Description	Q'ty						I	R
				(A)	(B)	(C)	(D)	(E)	(F)		
1	1	1A8330-22200	STAY ASSY, COVER	1	1						
2	1	26106-080162	BOLT, M8X 16 PLATED	3	3						
3	1	194990-22140	NUT, M8	2	2						
4	1	1A8330-22230	COVER ASSY, FAN	1	1						
5	1	26106-080162	BOLT, M8X 16 PLATED	1	1						



Remarks

* This figure is applicable to [(A)=F500002][[(B)=F500001] or following machines.

Fig.37. DRIVE SHAFT

(A)=SA221,EU
(B)=SA424,EU
(C)=

(D)=
(E)=
(F)=

No.	Lev.	Parts No.	Description	Q'ty						I	R
				(A)	(B)	(C)	(D)	(E)	(F)		
1	1	1A8330-21101	SHAFT ASSY, DRIVE	1	1						
2	1	26106-080252	BOLT, M8X 25 PLATED	3	3						

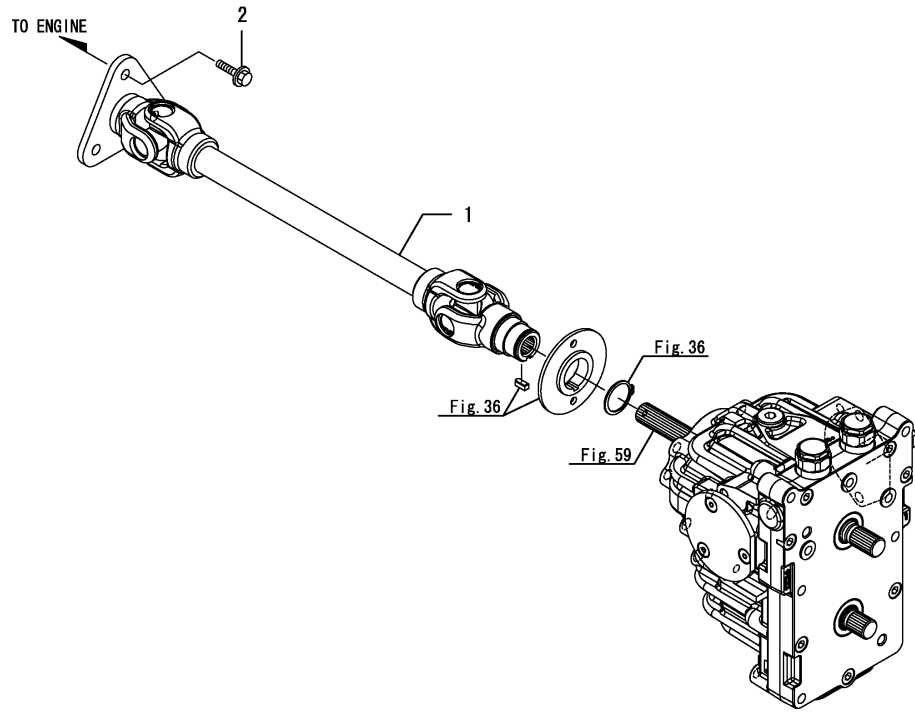
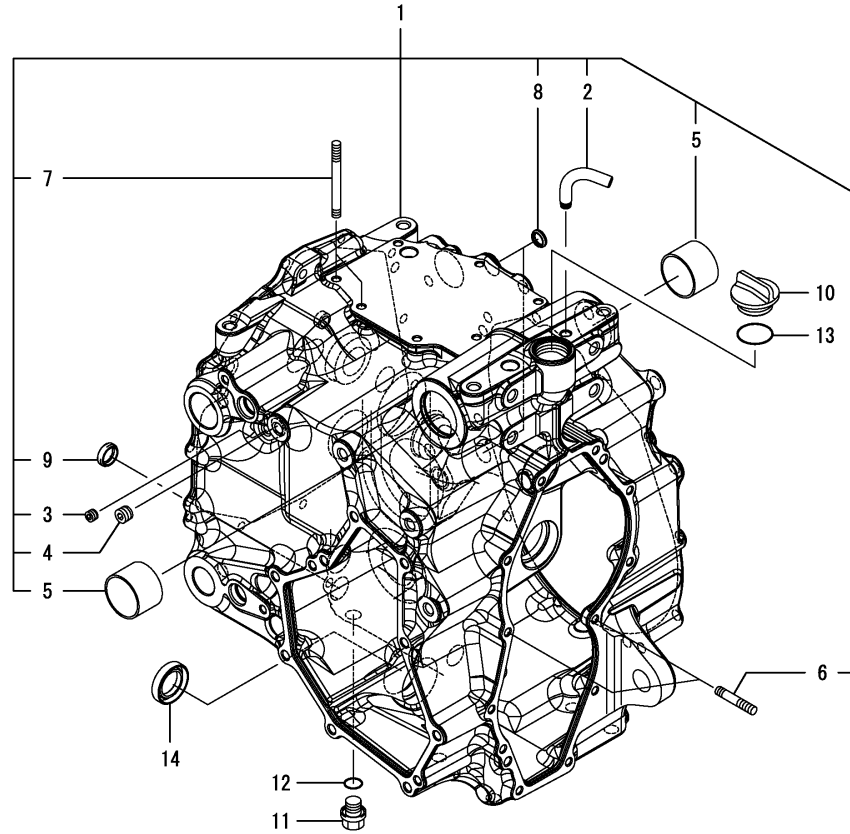


Fig.38. TRANSMISSION CASE



(A)=SA221,EU
(B)=SA424,EU
(C)=

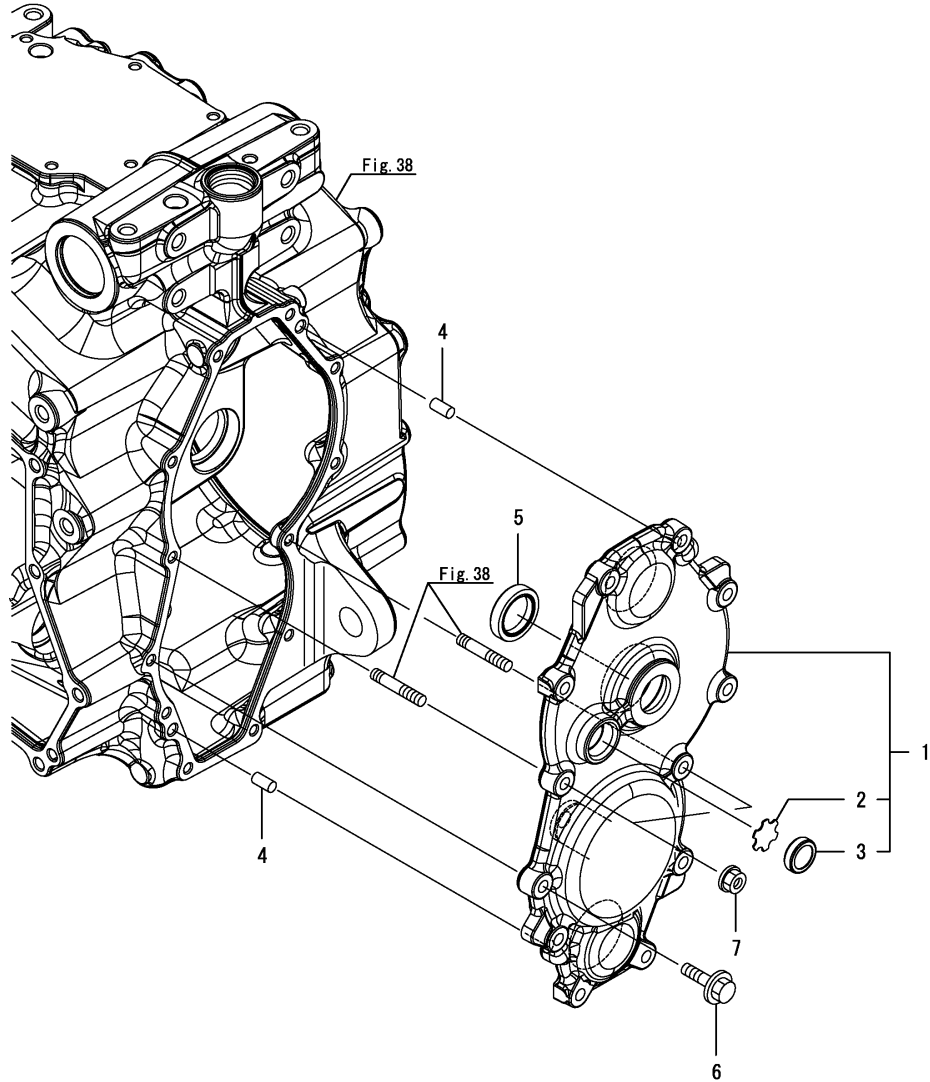
(D)=
(E)=
(F)=

No.	Lev.	Parts No.	Description	Q'ty						I	R
				(A)	(B)	(C)	(D)	(E)	(F)		
1	1	1A8330-24100	HOUSING ASSY,MISSION	1	1						
2	2	194205-42280	PIPE, AIR BREATHER	1	1						
3	2	23871-010000	PLUG, R01	1	1						
4	2	23871-020000	PLUG, R02	1	1						
5	2	24550-040300	BUSH, 40X30	2	2						
6	2	26216-080352	STUD, M8X 35	2	2						
7	2	26216-080702	STUD, M8X 70	2	2						
8	2	27260-170000	PLUG, 17	2	2						
9	2	27260-220000	PLUG, 22	1	1						
10	1	1A7870-24910	CAP, OIL	1	1						
11	1	23491-140002	PLUG, 14	1	1						
12	1	24311-000160	O-RING, 1AP16.0	1	1						
13	1	24351-240300	O-RING, 1A24030	1	1						
14	1	24421-254008	SEAL, OIL TC254008	1	1						

Fig.39. REAR COVER

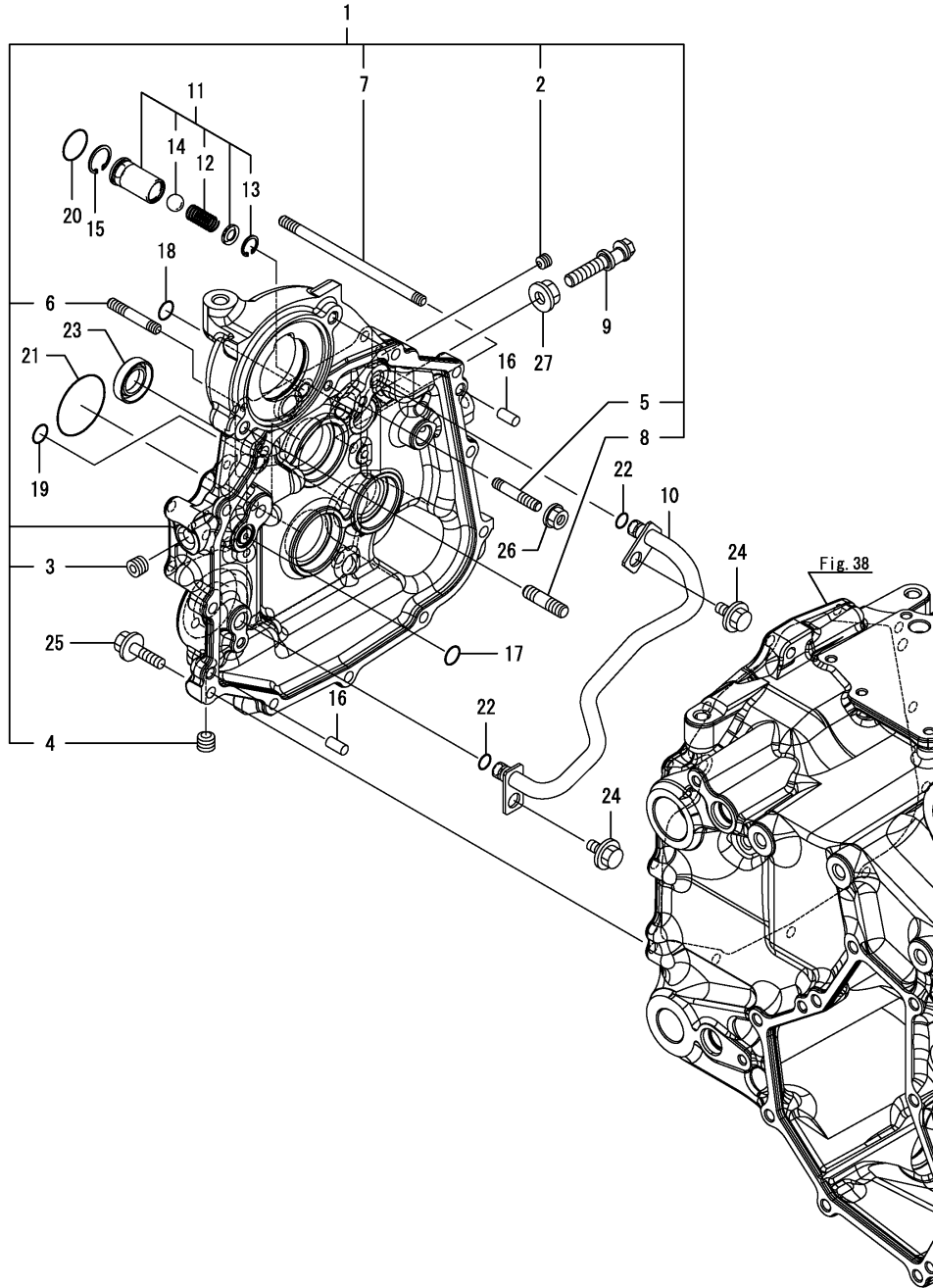
(A)=SA221,EU
 (B)=SA424,EU
 (C)=

(D)=
 (E)=
 (F)=



No.	Lev.	Parts No.	Description	Q'ty						I	R
				(A)	(B)	(C)	(D)	(E)	(F)		
1	1	1A8330-24200	COVER ASSY, REAR	1	1						
2	2	198071-24350	PLATE, WINDOW	1	1						
3	2	1A1040-28470	WINDOW, OIL CHECK 25	1	1						
4	1	22312-080140	PIN, PARALLEL M8X14	2	2						
5	1	24421-284008	SEAL, OIL TC284008	1	1						
6	1	26106-080302	BOLT, M8X 30 PLATED	10	10						
7	1	26366-080002	NUT, M8	2	2						

Fig.40. CENTER PLATE



(A)=SA221,EU
(B)=SA424,EU
(C)=

(D)=
(E)=
(F)=

No.	Lev.	Parts No.	Description	Q'ty						I	R
				(A)	(B)	(C)	(D)	(E)	(F)		
1	1	1A8330-24300	HOUSING ASSY, CENTER	1	1						
2	2	23871-010000	PLUG, R01	1	1						
3	2	23871-020000	PLUG, R02	1	1						
4	2	23871-020000	PLUG, R02	1	1						
5	2	26216-080352	STUD, M8X 35	1	1						
6	2	26216-080402	STUD, M8X 40	1	1						
7	2	26216-081402	STUD, M8X140	1	1						
8	2	26216-100252	STUD, M10X 25	2	2						
9	1	1A8330-24340	FULCRUM, 10	1	1						
10	1	1A8330-24350	PIPE ASSY, HST	1	1						
11	1	1A8330-24380	HOLDER ASSY, RELIEF	1	1						
12	2	1A8275-48050	SPRING, CHECK	1	1						
13	2	22252-000160	RING, 16	1	1						
14	2	24190-160001	BALL, STEEL 1/2	1	1						
15	1	22252-000220	RING, 22	1	1						
16	1	22312-080140	PIN, PARALLEL M8X14	2	2						
17	1	24311-000150	O-RING, 1AP15.0	1	1						
18	1	24311-000150	O-RING, 1AP15.0	1	1						
19	1	24311-000150	O-RING, 1AP15.0	1	1						
20	1	24321-000250	O-RING, 1AG25.0	1	1						
21	1	24321-000500	O-RING, 1AG50.0	2	2						
22	1	24341-000100	O-RING, 1AS10.0	2	2						
23	1	24421-203508	SEAL, OIL TC203508	1	1						
24	1	26106-080162	BOLT, M8X 16 PLATED	2	2						
25	1	26106-080302	BOLT, M8X 30 PLATED	11	11						
26	1	26366-080002	NUT, M8	1	1						
27	1	26366-100002	NUT, M10	1	1						

Fig.41. MAIN VALVE

(A)=SA221,EU
(B)=SA424,EU
(C)=

(D)=
(E)=
(F)=

No.	Lev.	Parts No.	Description	Q'ty						I	R
				(A)	(B)	(C)	(D)	(E)	(F)		
1	1	1A8330-24400	VALVE KIT	1	1						
2	2	1A8330-24500	CASE ASSY, VALVE	1	1						
3	3	168HQ0-87730	FILTER, COIN	2	2						
4	3	23871-010000	PLUG, R01	2	2						
5	2	1A8330-24530	SPRING, RELIEF	1	1						
6	2	1A8330-24540	PLATE, RELIEF VALVE	1	1						
7	2	1A7882-47210	JOINT ASSY	1	1						
8	2	24311-000160	O-RING, 1AP16.0	1	1						
9	2	26106-060122	BOLT, M6X 12 PLATED	2	2						
10	1	192157-26600	SHIM, WASHER	1	1						
11	1	1A6770-26600	SOLENOID ASSY	1	1						
12	1	192157-26641	SPRING, SOLENOID	1	1						
13	1	24311-000090	O-RING, 1AP9.0	1	1						
14	1	24311-000125	O-RING, 1AP12.5	2	2						
15	1	26106-080302	BOLT, M8X 30 PLATED	4	4						

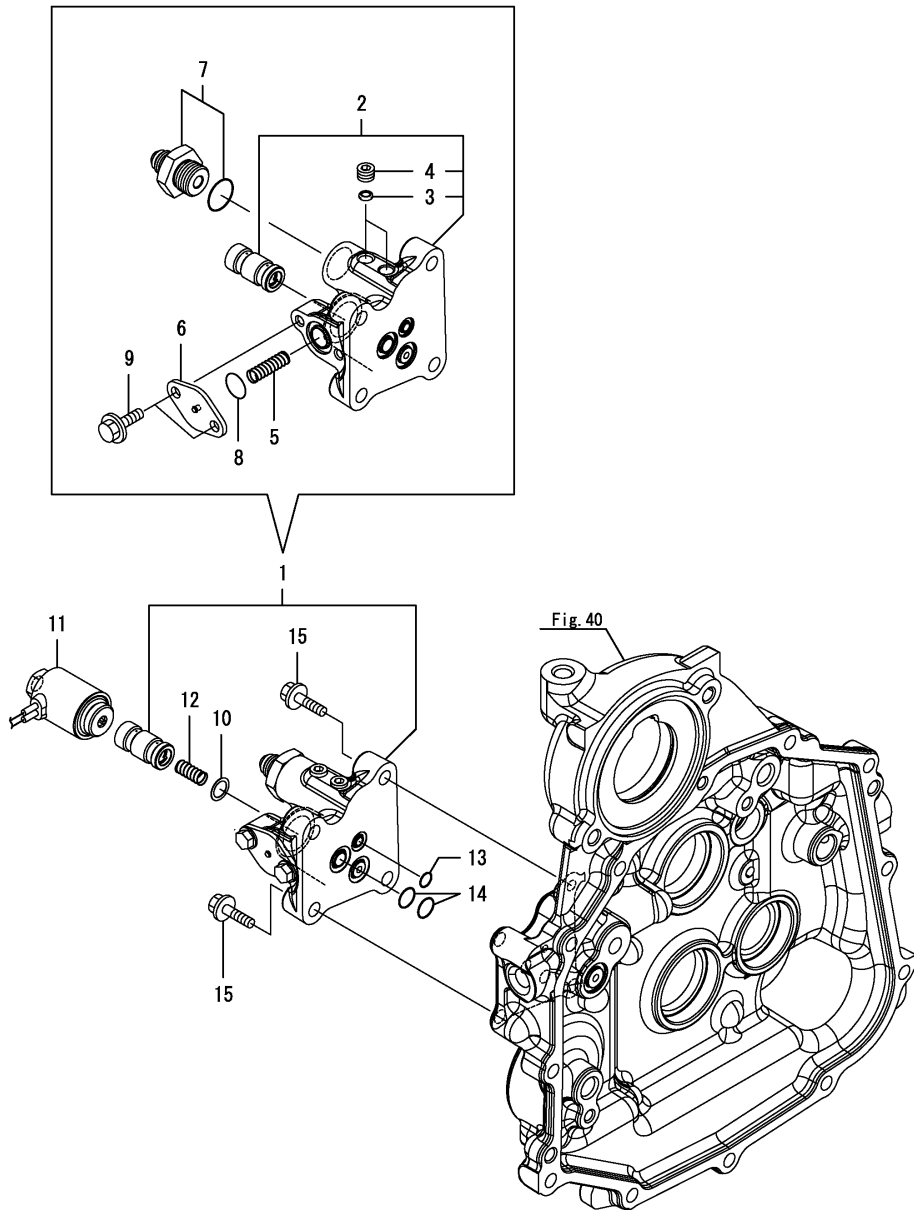


Fig.42. COUNTER SHAFT

(A)=SA221,EU
 (B)=SA424,EU
 (C)=

(D)=
 (E)=
 (F)=

No.	Lev.	Parts No.	Description	Q'ty						I	R
				(A)	(B)	(C)	(D)	(E)	(F)		
1	1	1A8330-25520	GEAR, COUNTER	1							
2	1	1A8330-25530	GEAR,DRIVE FRONT	1							
3	1	1A8330-25570	SHAFT,COUNTER	1							
4	1	22242-000250	RING, 25	1							
5	1	22242-000300	RING, 30	1							
6	1	24101-060044	BEARING, BALL 6004	1							
7	1	24101-062064	BEARING, BALL 6206	1							

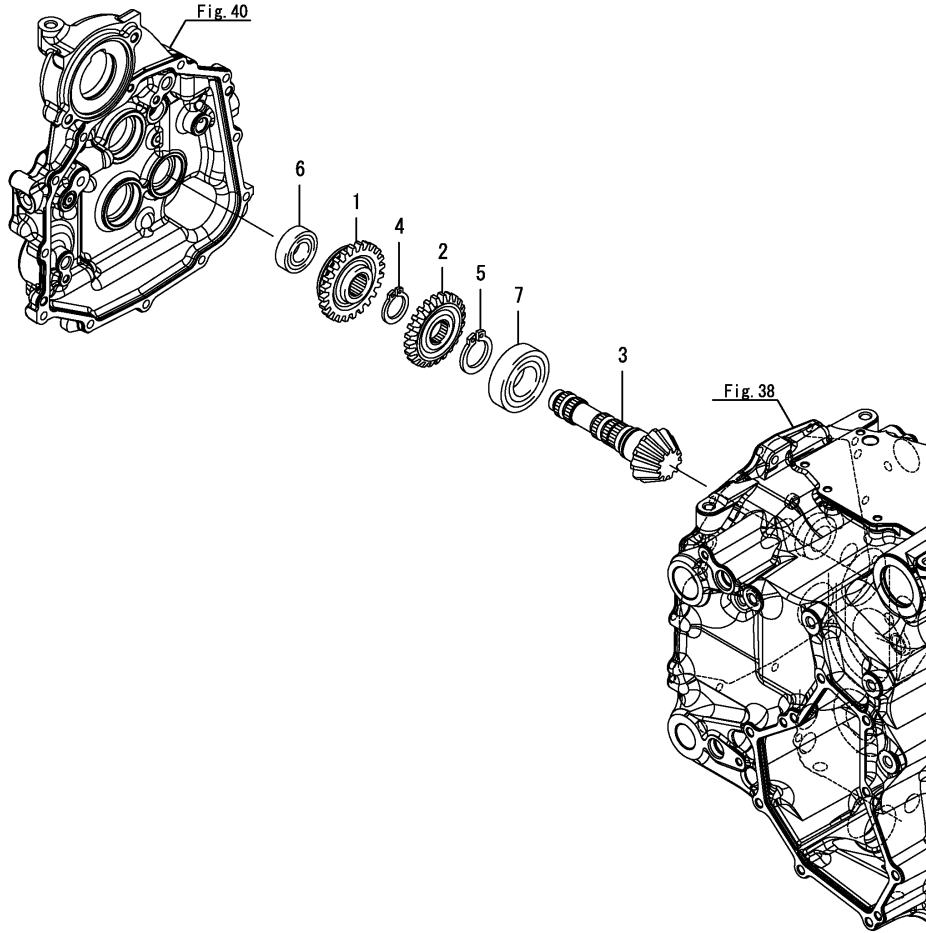


Fig.43. COUNTER SHAFT

(A)=SA221,EU
(B)=SA424,EU
(C)=

(D)=
(E)=
(F)=

No.	Lev.	Parts No.	Description	Q'ty						I	R
				(A)	(B)	(C)	(D)	(E)	(F)		
1	1	1A8320-25520	GEAR, SLIDE		1						
2	1	1A8330-25530	GEAR,DRIVE FRONT		1						
3	1	1A8330-25570	SHAFT,COUNTER		1						
4	1	22242-000250	RING, 25		1						
5	1	22242-000300	RING, 30		1						
6	1	24101-060044	BEARING, BALL 6004		1						
7	1	24101-062064	BEARING, BALL 6206		1						

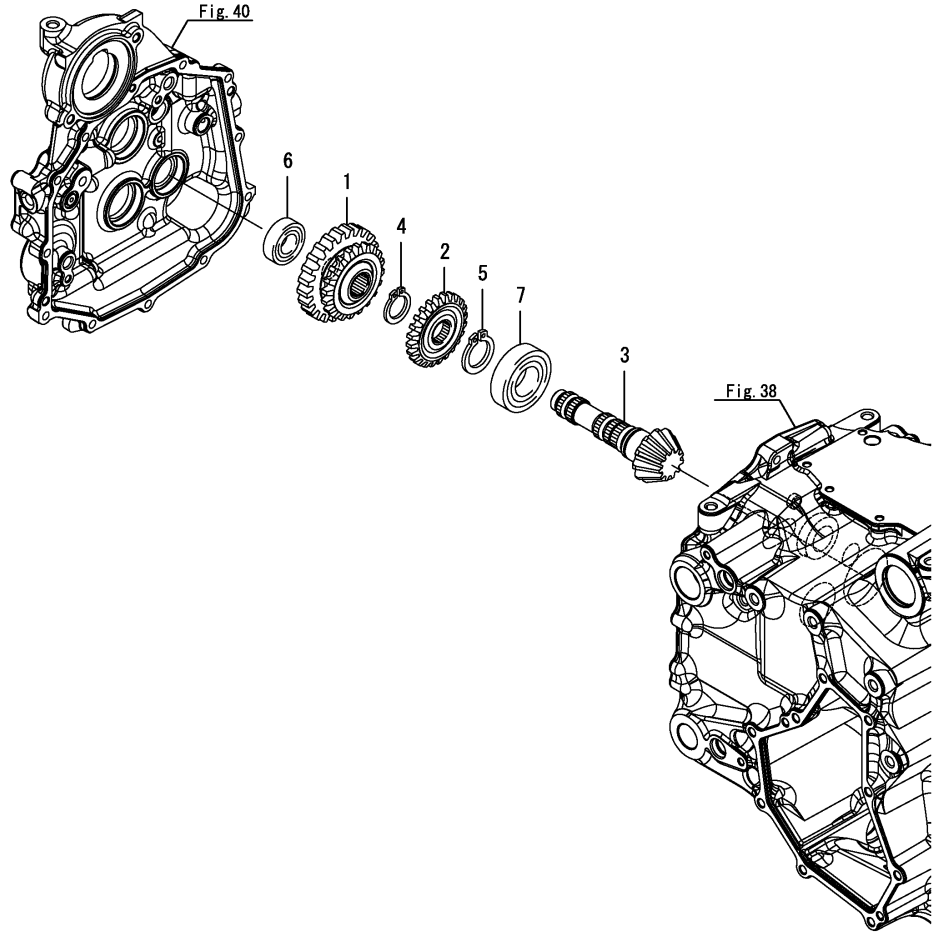


Fig.44. REDUCTION SHAFT

(A)=SA221,EU
(B)=SA424,EU
(C)=

(D)=
(E)=
(F)=

No.	Lev.	Parts No.	Description	Q'ty						I	R
				(A)	(B)	(C)	(D)	(E)	(F)		
1	1	1A8330-25710	GEAR, DRIVE	1							
2	1	24101-060054	BEARING, BALL 6005	2							

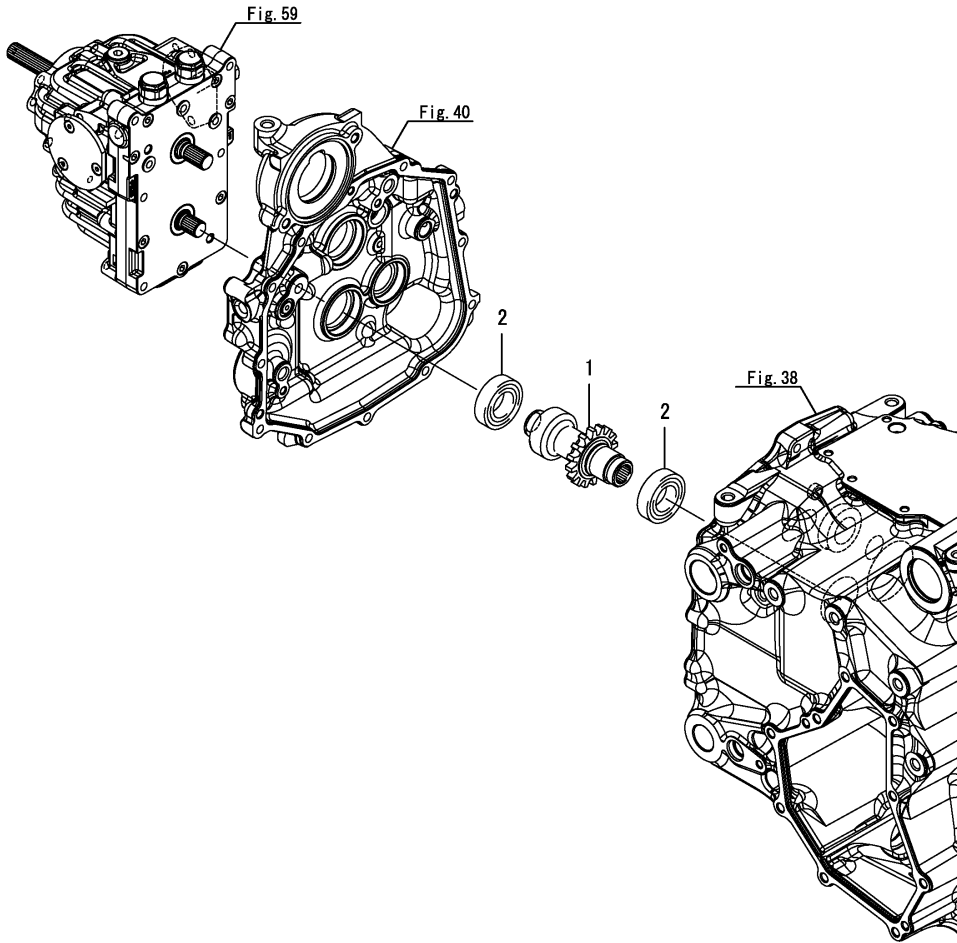


Fig.45. REDUCTION SHAFT

(A)=SA221,EU
(B)=SA424,EU
(C)=

(D)=
(E)=
(F)=

No.	Lev.	Parts No.	Description	Q'ty						I	R
				(A)	(B)	(C)	(D)	(E)	(F)		
1	1	1A8320-25710	GEAR, DRIVE		1						
2	1	24101-060054	BEARING, BALL 6005		2						

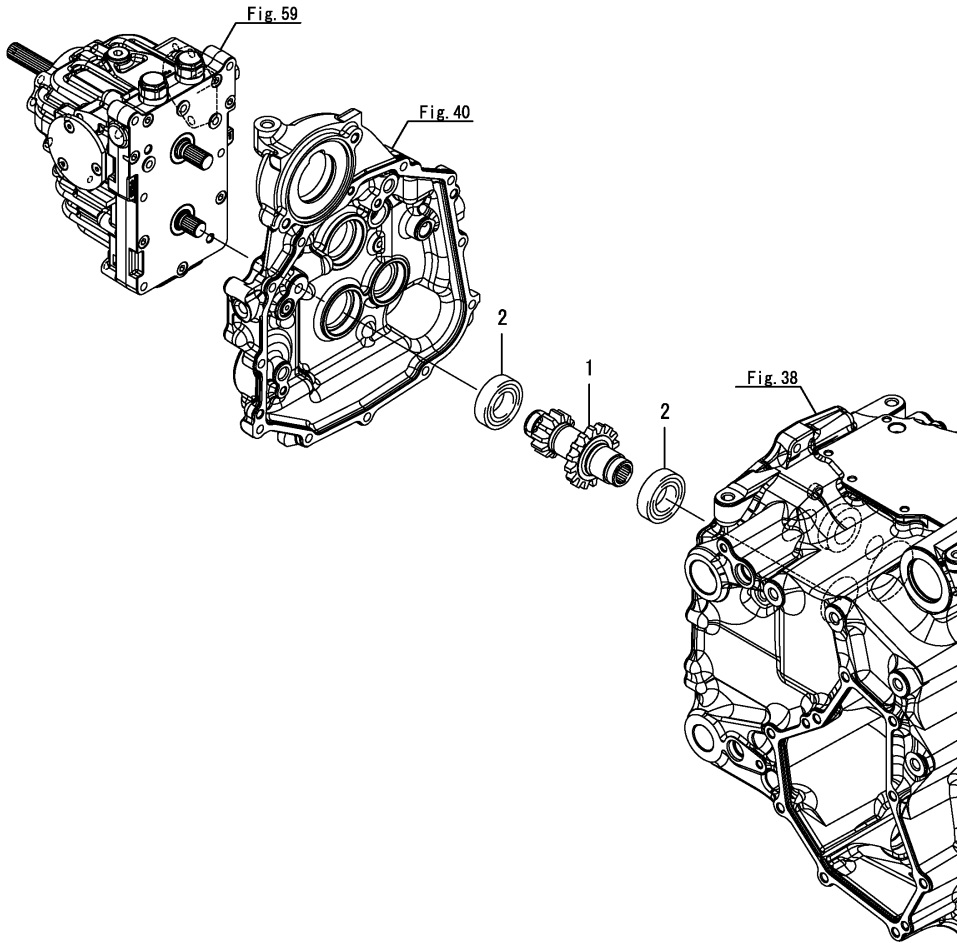


Fig.46. P.T.O. DRIVE GEAR

(A)=SA221,EU
(B)=SA424,EU
(C)=

(D)=
(E)=
(F)=

No.	Lev.	Parts No.	Description	Q'ty						I	R
				(A)	(B)	(C)	(D)	(E)	(F)		
1	1	1A8330-26010	GEAR, DRIVE	1	1						
2	1	24101-060054	BEARING, BALL 6005	2	2						

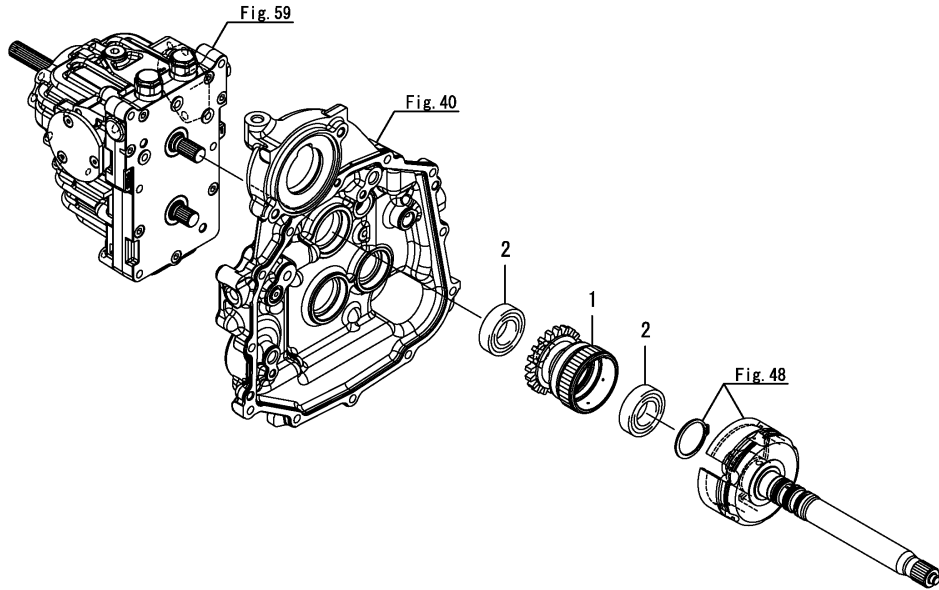


Fig.47. P.T.O. DRIVE SHAFT

(A)=SA221,EU
(B)=SA424,EU
(C)=

(D)=
(E)=
(F)=

No.	Lev.	Parts No.	Description	Q'ty						I	R
				(A)	(B)	(C)	(D)	(E)	(F)		
1	1	1A8330-26110	GEAR, DRIVE PTO	1	1						
2	1	1A8330-26120	COUPLING	1	1						
3	1	22252-000180	RING, 18	1	1						
4	1	24101-062044	BEARING, BALL 6204	2	2						

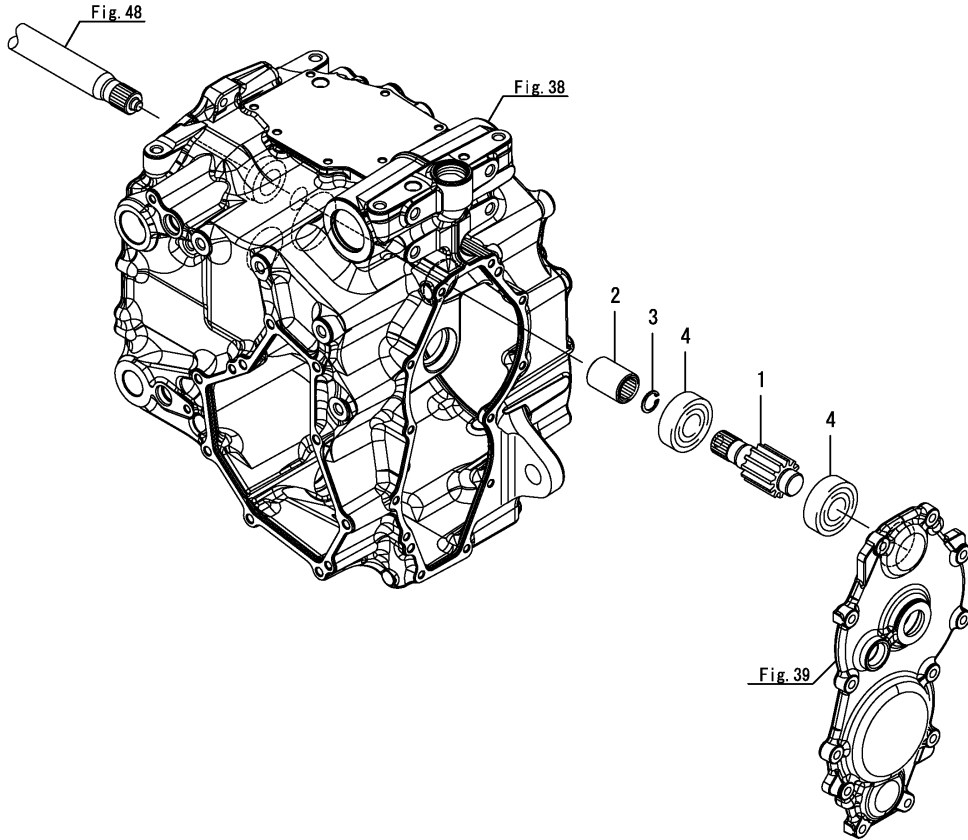
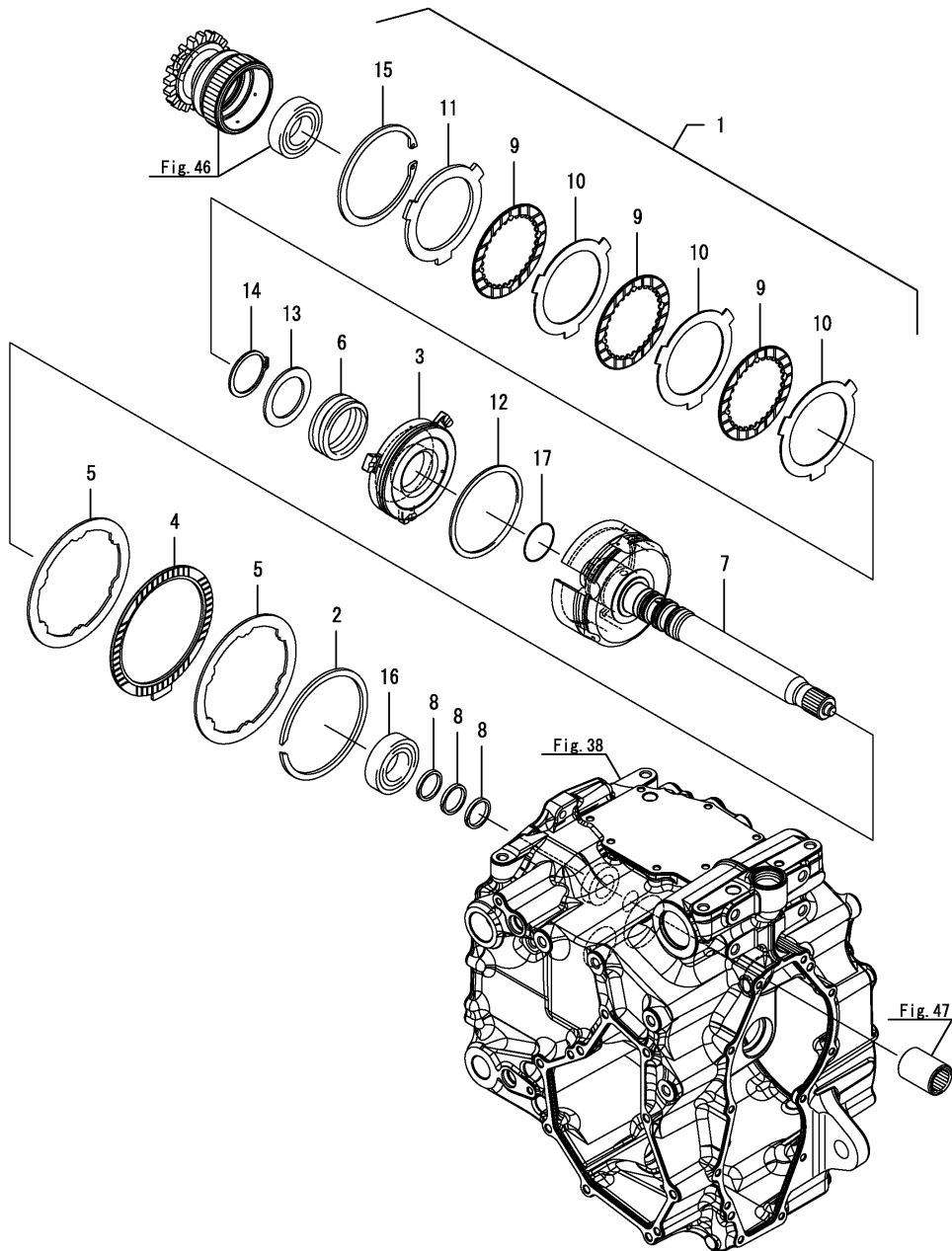


Fig.48. P.T.O. CLUTCH SHAFT



(A)=SA221,EU
(B)=SA424,EU
(C)=

(D)=
(E)=
(F)=

No.	Lev.	Parts No.	Description	Qty						I	R
				(A)	(B)	(C)	(D)	(E)	(F)		
1	1	1A8330-26201	CLUTCH ASSY, PTO	1	1						
2	2	1A8330-26190	RING, CLUTCH	1	1						
3	2	1A8330-26211	PISTON, CLUTCH	1	1						
4	2	1A8330-26220	BRAKE, DISK PTO	1	1						
5	2	1A8330-26230	PLATE, BRAKE	2	2						
6	2	1A8330-26240	SPRING, CLUTCH	1	1						
7	2	1A8330-26251	SHAFT KIT, CLUTCH	1	1						
8	2	1A8330-26290	RING, SEAL	3	3						
9	2	1A7540-26620	PLATE, FRICTION 80	3	3						
10	2	1A7540-26630	PLATE, STEEL 1.2	3	3						
11	2	1A7540-26640	PLATE, STEEL 3.18	1	1						
12	2	1A7540-26670	D-RING,69.5X4.5XT1.8	1	1						
13	2	1A8275-26790	COLLAR	1	1						
14	2	22242-100350	RING, 35	1	1						
15	2	22252-000820	RING, 82	1	1						
16	2	24101-060054	BEARING, BALL 6005	1	1						
17	2	24341-000320	O-RING, 1AS32.0	1	1						

Fig.49. P.T.O. SHAFT

(A)=SA221,EU
 (B)=SA424,EU
 (C)=

(D)=
 (E)=
 (F)=

No.	Lev.	Parts No.	Description	Q'ty						I	R
				(A)	(B)	(C)	(D)	(E)	(F)		
1	1	1A8330-26310	SHAFT, R-PTO	1	1						
2	1	1A8330-26320	GEAR, DRIVEN R-PTO	1	1						
3	1	22242-000250	RING, 25	1	1						
4	1	24101-062044	BEARING, BALL 6204	1	1						
5	1	24101-062054	BEARING, BALL 6205	1	1						

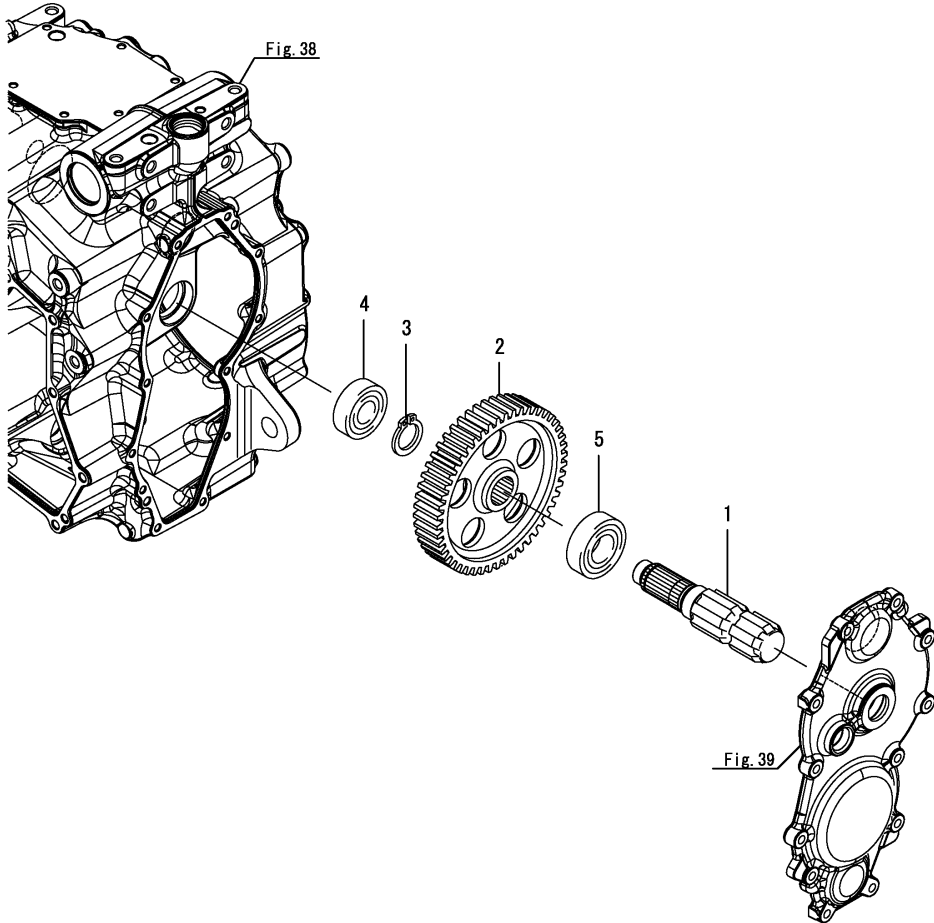
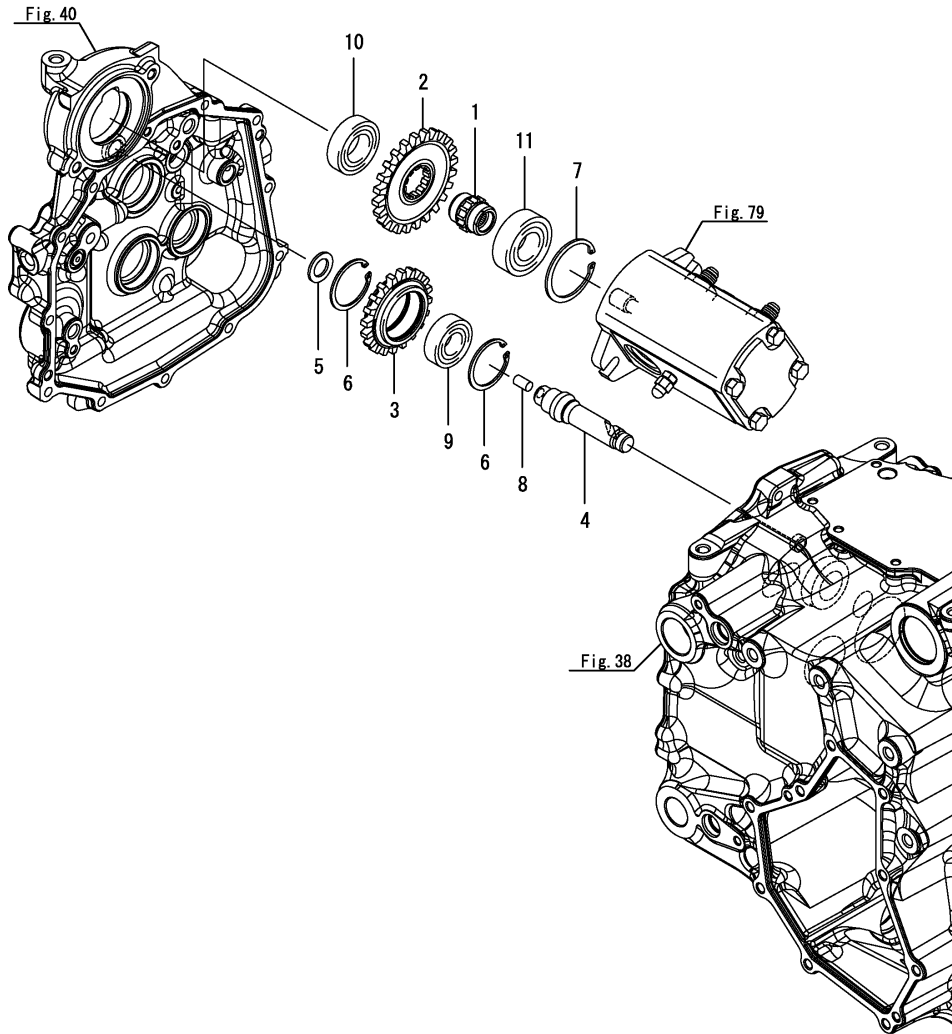


Fig.50. PUMP SHAFT

(A)=SA221,EU
(B)=SA424,EU
(C)=

(D)=
(E)=
(F)=

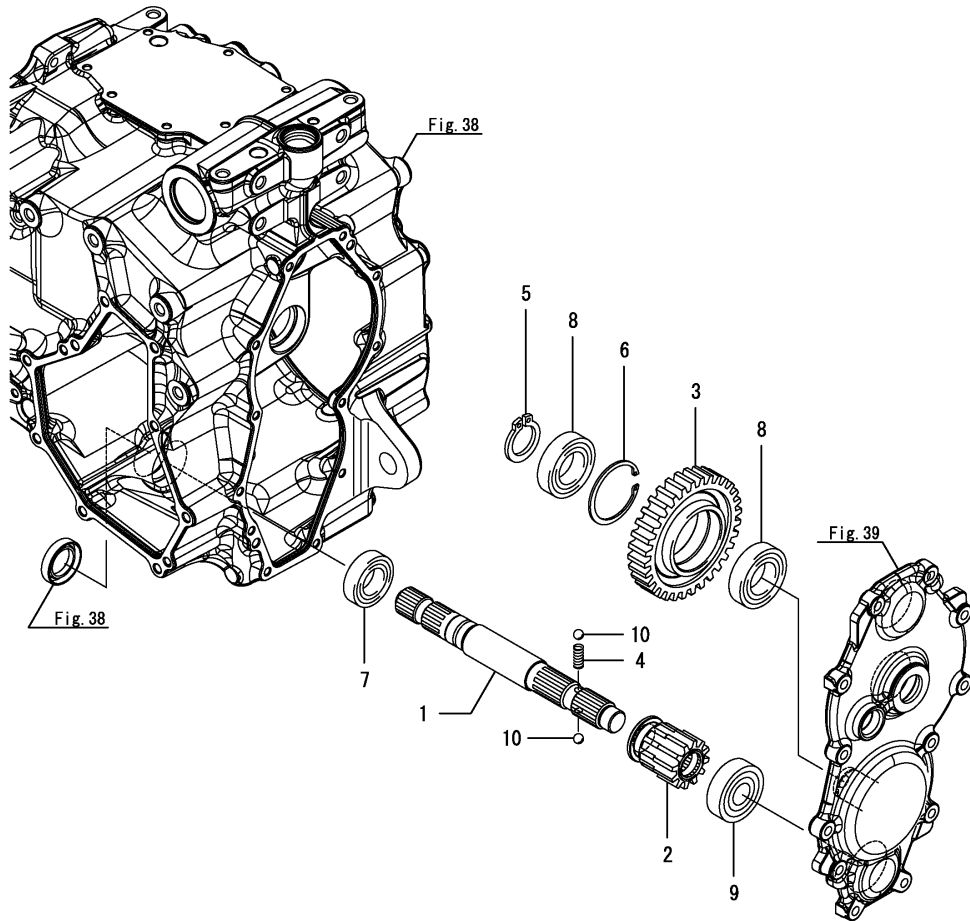


No.	Lev.	Parts No.	Description	Q'ty						I	R
				(A)	(B)	(C)	(D)	(E)	(F)		
1	1	1A8330-26410	SHAFT, PUMP	1	1						
2	1	1A8330-26420	GEAR, DRIVEN PUMP	1	1						
3	1	1A8330-26430	GEAR, DRIVE PUMP	1	1						
4	1	1A8330-26440	SHAFT, IDLE	1	1						
5	1	194150-27870	WASHER, 16X26X2	1	1						
6	1	22252-000420	RING, 42	2	2						
7	1	22252-000520	RING, 52	1	1						
8	1	22312-080140	PIN, PARALLEL M8X14	1	1						
9	1	24101-060044	BEARING, BALL 6004	1	1						
10	1	24101-060054	BEARING, BALL 6005	1	1						
11	1	24101-062054	BEARING, BALL 6205	1	1						

Fig.51. MID P.T.O. SHAFT

(A)=SA221,EU
(B)=SA424,EU
(C)=

(D)=
(E)=
(F)=

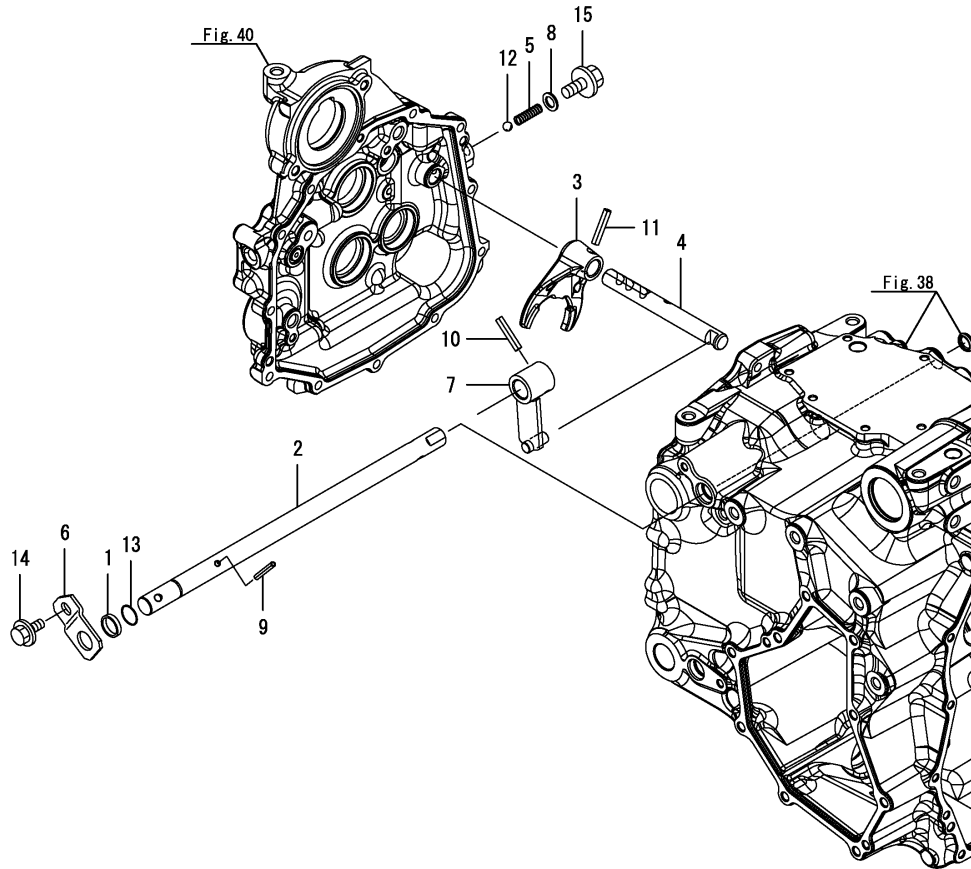


No.	Lev.	Parts No.	Description	Q'ty						I	R
				(A)	(B)	(C)	(D)	(E)	(F)		
1	1	1A8330-26510	SHAFT, M-PTO	1	1						
2	1	1A8330-26520	GEAR, SLIDE M-PTO	1	1						
3	1	1A8330-26530	GEAR, DRIVE M-PTO	1	1						
4	1	1A8330-26540	SPRING, DETENT	1	1						
5	1	22242-000300	RING, 30	1	1						
6	1	22252-000550	RING, 55	1	1						
7	1	24101-060054	BEARING, BALL 6005	1	1						
8	1	24101-060064	BEARING, BALL 6006	2	2						
9	1	24101-063044	BEARING, BALL 6304	1	1						
10	1	24190-080001	BALL, STEEL 1/4	2	2						

Fig.52. SUB SHIFT

(A)=SA221,EU
(B)=SA424,EU
(C)=

(D)=
(E)=
(F)=



No.	Lev.	Parts No.	Description	Q'ty						I	R
				(A)	(B)	(C)	(D)	(E)	(F)		
1	1	198119-27150	COLLAR, SHIFT ARM A	1	1						
2	1	1A8320-27410	SHAFT, SHIFT	1	1						
3	1	1A8320-27420	FORK, SUB CHANGE	1	1						
4	1	1A8320-27430	SHAFT, FORK	1	1						
5	1	194145-27450	SPRING, FORK LOCK	1	1						
6	1	1A8330-27490	PLATE, KEEP	1	1						
7	1	1A8330-27750	ARM ASSY, SHIFTER	1	1						
8	1	22190-100000	WASHER, SEAL 10	1	1						
9	1	22351-040032	PIN, SPRING 4.0X32	1	1						
10	1	22351-060032	PIN, SPRING 6.0X32	1	1						
11	1	22351-060032	PIN, SPRING 6.0X32	1	1						
12	1	24190-100001	BALL, STEEL 5/16	1	1						
13	1	24311-000160	O-RING, 1AP16.0	1	1						
14	1	26106-080162	BOLT, M8X 16 PLATED	1	1						
15	1	26106-100162	BOLT, M10X 16 PLATED	1	1						

Fig.53. SUB SHIFT LEVER

(A)=SA221,EU
 (B)=SA424,EU
 (C)=

(D)=
 (E)=
 (F)=

No.	Lev.	Parts No.	Description	Q'ty						I	R
				(A)	(B)	(C)	(D)	(E)	(F)		
1	1	1A8330-27501	LEVER ASSY, RANGE		1						
2	1	1A8060-67780	KNOB, ORANGE		1						
3	1	22351-035032	PIN, SPRING 3.5X32		1						
4	1	22351-060032	PIN, SPRING 6.0X32		1						

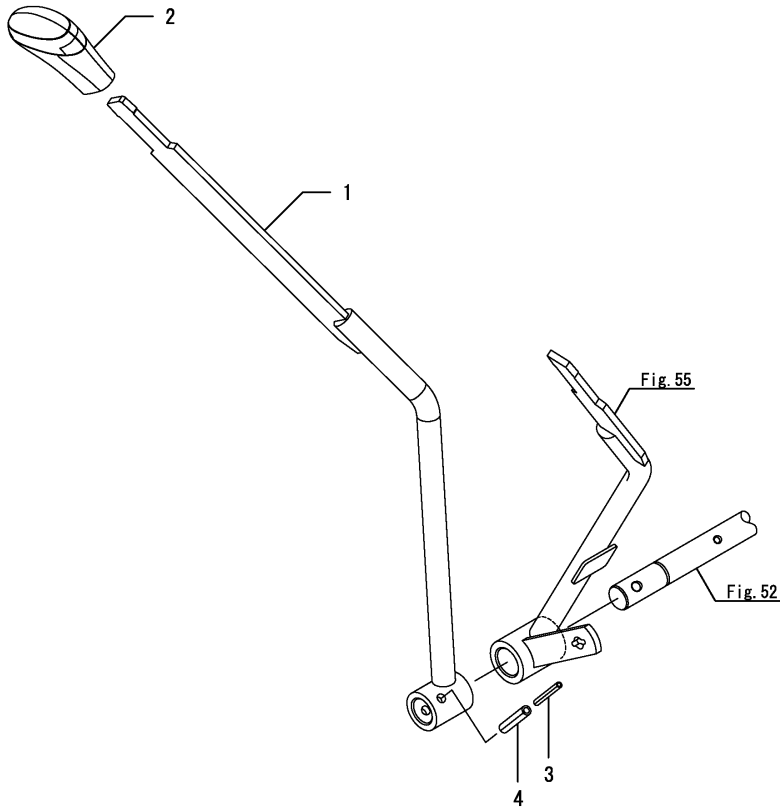


Fig.54. P.T.O. SHIFT

(A)=SA221,EU
(B)=SA424,EU
(C)=

(D)=
(E)=
(F)=

No.	Lev.	Parts No.	Description	Qty						I	R
				(A)	(B)	(C)	(D)	(E)	(F)		
1	1	198119-27150	COLLAR, SHIFT ARM A	1	1						
2	1	1A8330-27490	PLATE, KEEP	1	1						
3	1	1A8330-27700	ARM ASSY, SHIFT PTO	1	1						
4	1	1A8330-27750	ARM ASSY, SHIFTER	1	1						
5	1	22351-040032	PIN, SPRING 4.0X32	1	1						
6	1	22351-060032	PIN, SPRING 6.0X32	1	1						
7	1	24311-000160	O-RING, 1AP16.0	1	1						
8	1	26106-080162	BOLT, M8X 16 PLATED	1	1						

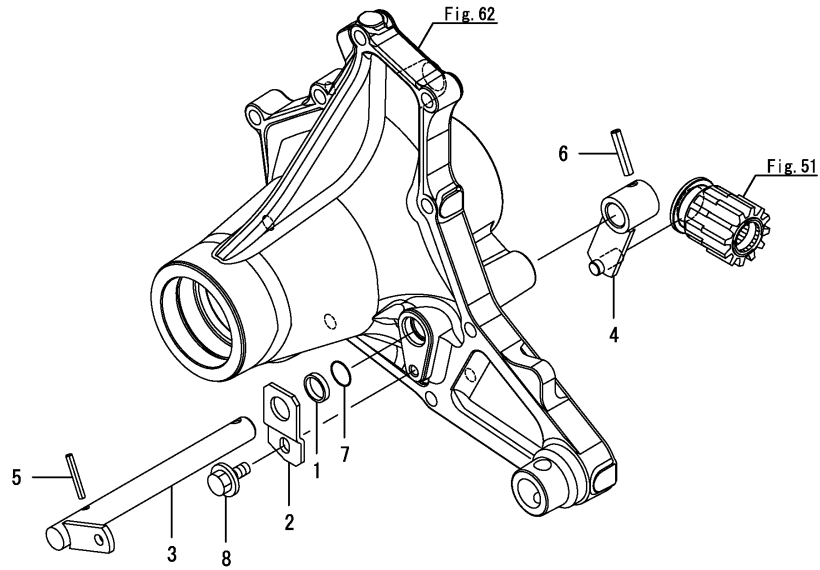
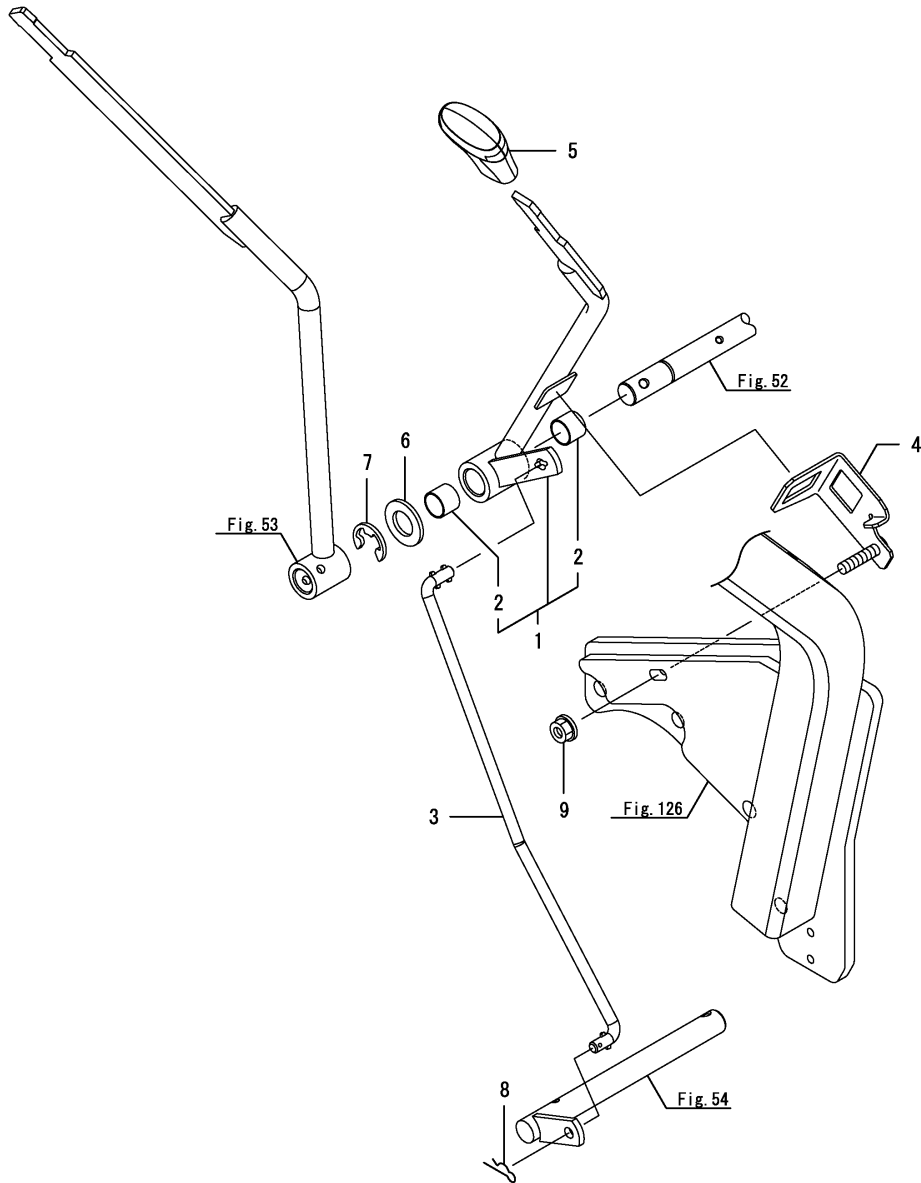


Fig.55. P.T.O. SHIFT LEVER



(A)=SA221,EU
(B)=SA424,EU
(C)=

(D)=
(E)=
(F)=

No.	Lev.	Parts No.	Description	Q'ty						I	R
				(A)	(B)	(C)	(D)	(E)	(F)		
1	1	1A8330-27791	LEVER KIT, PTO	1	1						
2	2	24550-017150	BUSH, 17X15	2	2						
3	1	1A8330-27841	ROD, PTO	1	1						
4	1	1A8330-27881	BRACKET ASSY, SWITCH	1	1						
5	1	1A8060-68310	KNOB, YELLOW	1	1						
6	1	22137-180000	WASHER, 18	1	1						
7	1	22272-000150	RING, E-15	1	1						
8	1	22372-080000	PIN, SNAP 8	1	1						
9	1	194990-22140	NUT, M8	1	1						

Fig.56. FRONT DRIVE

(A)=SA221,EU
 (B)=SA424,EU
 (C)=

(D)=
 (E)=
 (F)=

No.	Lev.	Parts No.	Description	Q'ty						I	R
				(A)	(B)	(C)	(D)	(E)	(F)		
1	1	1A8330-26540	SPRING, DETENT	1	1						
2	1	1A8330-28110	SHAFT, FRONT	1	1						
3	1	1A8330-28120	GEAR, SLIDE FRONT	1	1						
4	1	24101-060044	BEARING, BALL 6004	2	2						
5	1	24190-080001	BALL, STEEL 1/4	2	2						

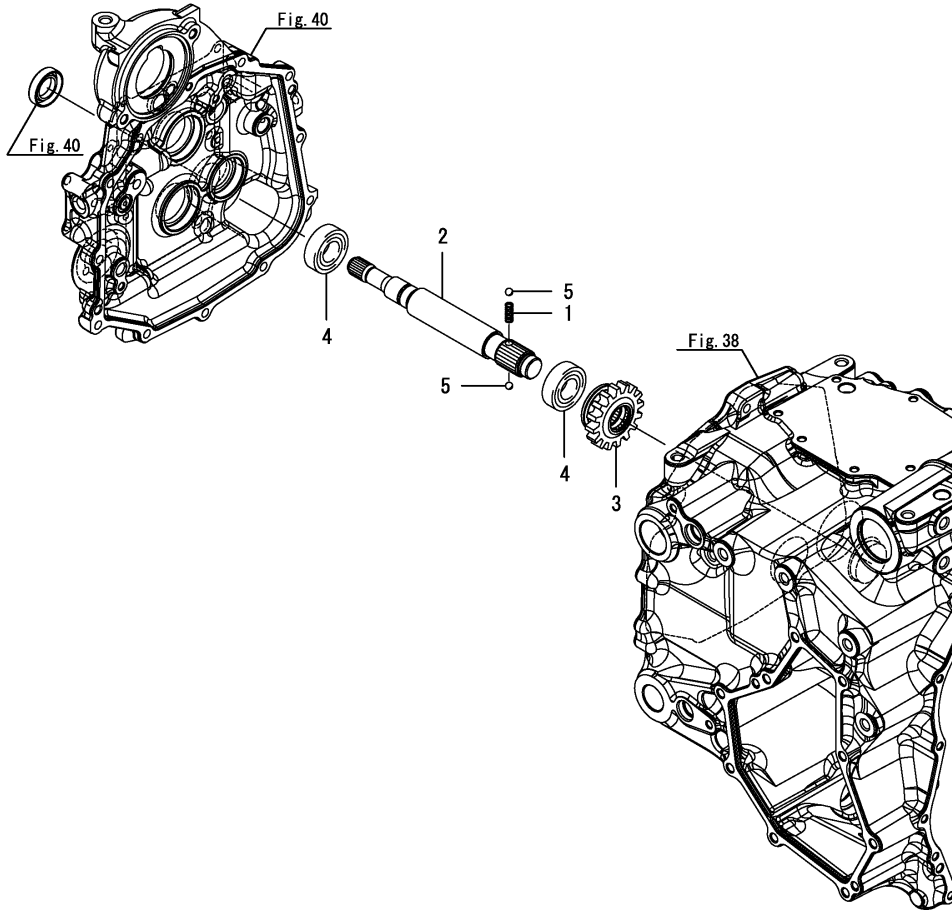
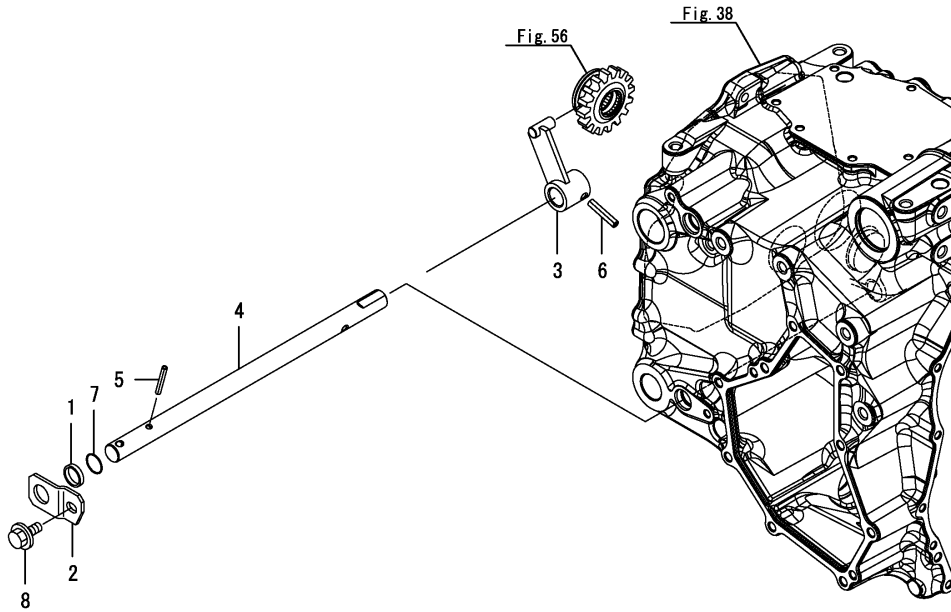


Fig.57. FRONT SHIFT

(A)=SA221,EU
(B)=SA424,EU
(C)=

(D)=
(E)=
(F)=



No.	Lev.	Parts No.	Description	Qty						I	R
				(A)	(B)	(C)	(D)	(E)	(F)		
1	1	198119-27150	COLLAR, SHIFT ARM A	1	1						
2	1	1A8330-27490	PLATE, KEEP	1	1						
3	1	1A8330-27750	ARM ASSY, SHIFTER	1	1						
4	1	1A8330-28210	SHAFT, 4WD	1	1						
5	1	22351-040032	PIN, SPRING 4.0X32	1	1						
6	1	22351-060032	PIN, SPRING 6.0X32	1	1						
7	1	24311-000160	O-RING, 1AP16.0	1	1						
8	1	26106-080162	BOLT, M8X 16 PLATED	1	1						

Fig.58. 4WD LEVER

(A)=SA221,EU
(B)=SA424,EU
(C)=

(D)=
(E)=
(F)=

No.	Lev.	Parts No.	Description	Q'ty						I	R
				(A)	(B)	(C)	(D)	(E)	(F)		
1	1	198253-01190	KNOB, ACCEL LEVER	1	1						
2	1	1A8330-28302	LEVER ASSY, 4WD	1	1						
3	1	22351-035032	PIN, SPRING 3.5X32	1	1						
4	1	22351-060032	PIN, SPRING 6.0X32	1	1						

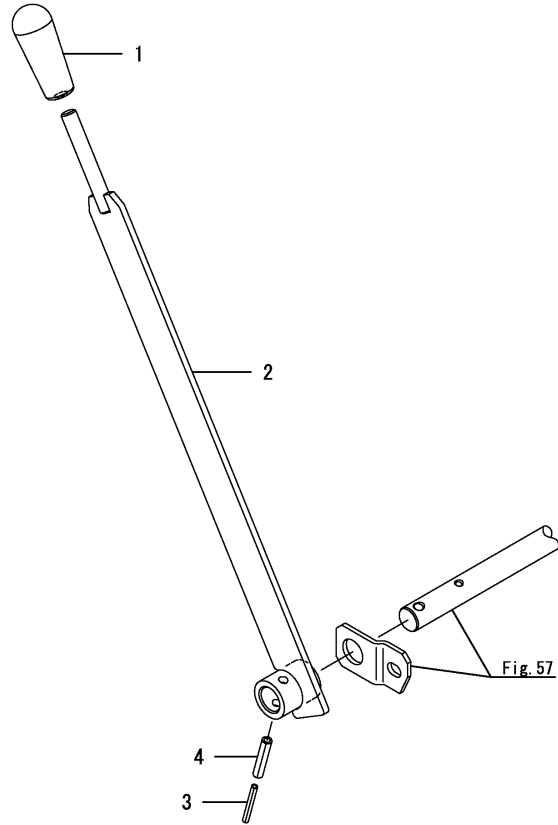
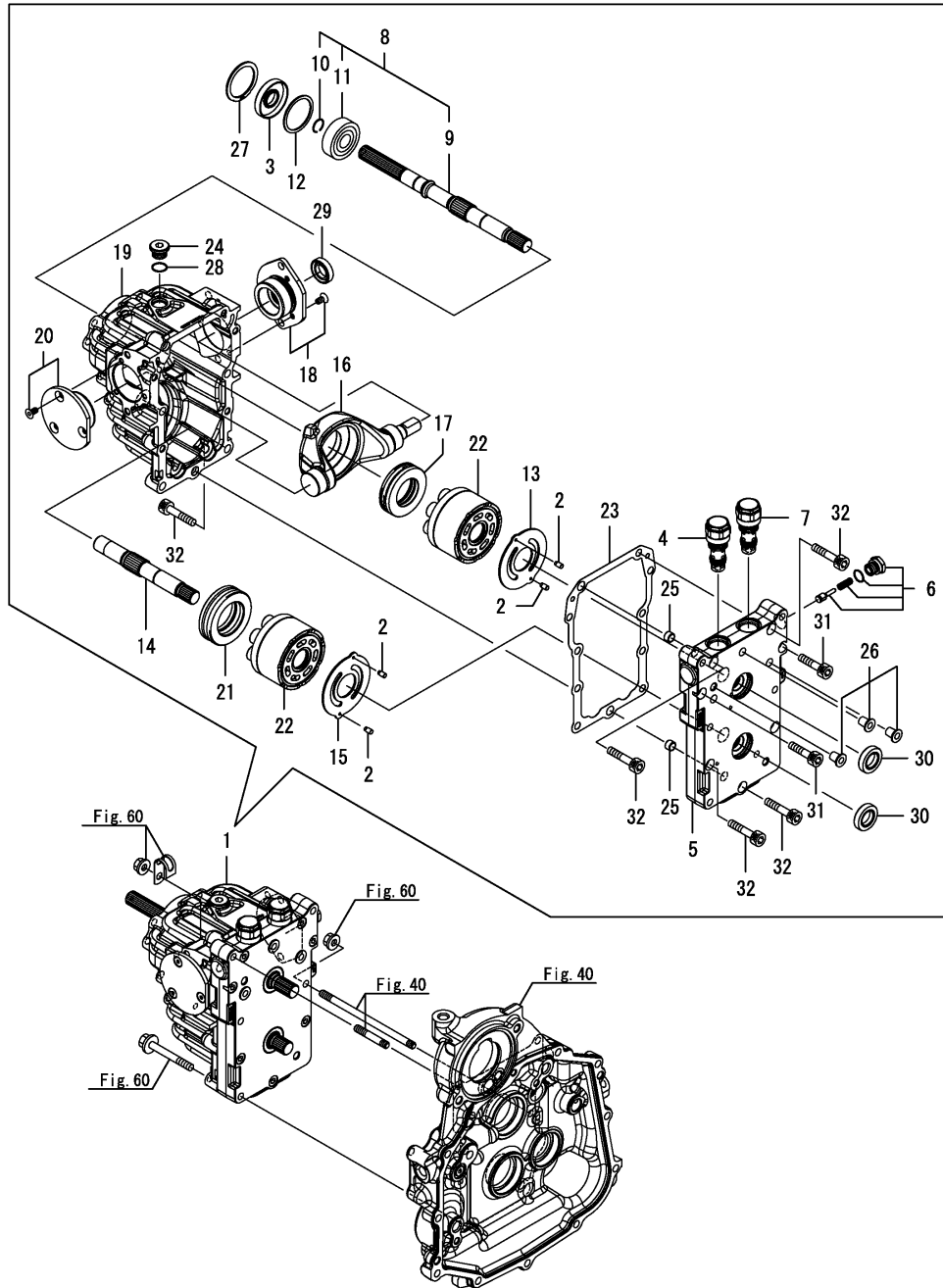


Fig.59. H.S.T.

(A)=SA221,EU
(B)=SA424,EU
(C)=

(D)=
(E)=
(F)=



No.	Lev.	Parts No.	Description	Q'ty						I	R
				(A)	(B)	(C)	(D)	(E)	(F)		
1	1	168H8S-29010	HST ASSY, KHS-23JTSB	1	1						
2	2	192163-24420	PIN, KNOCK 3.5	4	4						
3	2	192167-25260	SEAL, OIL 17X47X8	1	1						
4	2	168H81-29060	VALVE ASSY, CR R1.4	1	1						
5	2	168H8S-29100	CASE ASSY, CENTER	1	1						
6	2	168H8S-29130	RELIEF ASSY, CHARGE	1	1						
7	2	168H64-29150	VALVE ASSY, CR F	1	1						
8	2	168H8S-29200	SHAFT ASSY, PUMP	1	1						
9	3	168H8S-29210	SHAFT, PUMP	1	1						
10	3	1A6750-29220	CIRCLIP, 1.2	1	1						
11	3	24101-063034	BEARING, BALL 6303	1	1						
12	2	1A6750-29230	SPACER, 47	1	1						
13	2	168H61-29260	PLATE, VALVE P	1	1						
14	2	168H88-29310	SHAFT, MOTOR	1	1						
15	2	168H61-29360	PLATE, VALVE M	1	1						
16	2	168H8S-29400	PLATE ASSY, SWASH	1	1						
16-1	2	168H8N-29400	PLATE ASSY, SWASH	1	1						N
(A=F500002) (B=F200234)											
17	2	168H86-29450	BEARING ASSY	1	1						
18	2	168H8S-29450	COVER ASSY, A	1	1						
19	2	168H8S-29500	HOUSING ASSY	1	1						
20	2	168H8S-29520	COVER ASSY, B	1	1						
21	2	168H86-29530	THRUST B(M)	1	1						
22	2	168H8S-29610	CYLINDER ASSY, BLOCK	2	2						
23	2	168H8S-29830	GASKET, CASE	1	1						
23-1	2	1A6750-29830	GASKET, CASE	1	1						N
(A=F500002) (B=F200234)											
24	2	1A6750-29850	PLUG, G3/8	1	1						
25	2	194521-41570	PIN, 11X7	2	2						
26	2	168H8S-99000	PLUG KIT, SHIPPING	1	1						
27	2	22262-000470	RING, R-47	1	1						
28	2	24311-000140	O-RING, 1AP14.0	1	1						
29	2	24421-173007	SEAL, OIL TC173007	1	1						
30	2	24421-183207	SEAL, OIL TC183207	2	2						
31	2	26450-080352	BOLT, M8X 35	2	2						
32	2	26450-080402	BOLT, M8X 40	6	6						

Fig.60. H.S.T. ARM

(A)=SA221,EU
(B)=SA424,EU
(C)=

(D)=
(E)=
(F)=

No.	Lev.	Parts No.	Description	Q'ty						I	R
				(A)	(B)	(C)	(D)	(E)	(F)		
1	1	192157-27510	SPRING, CENTERING	1	1						
2	1	1A8330-29550	ARM ASSY, HST	1	1						
3	1	194440-51620	CLAMP, B	1	1						
4	1	22242-000300	RING, 30	1	1						
5	1	22312-080140	PIN, PARALLEL M8X14	2	2						
6	1	26106-080452	BOLT, M8X 45 PLATED	1	1						
7	1	26106-080652	BOLT, M8X 65 PLATED	1	1						
8	1	26106-081452	BOLT, 8 X 145	1	1						
9	1	26106-100302	BOLT, M10X 30 PLATED	1	1						
10	1	26366-080002	NUT, M8	2	2						

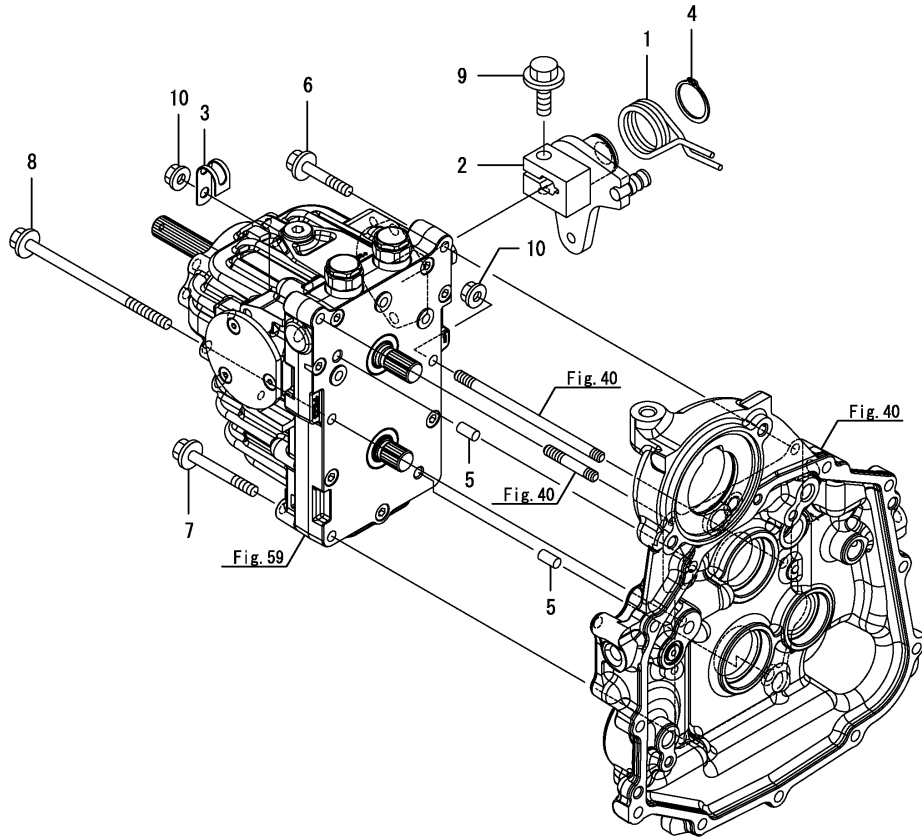
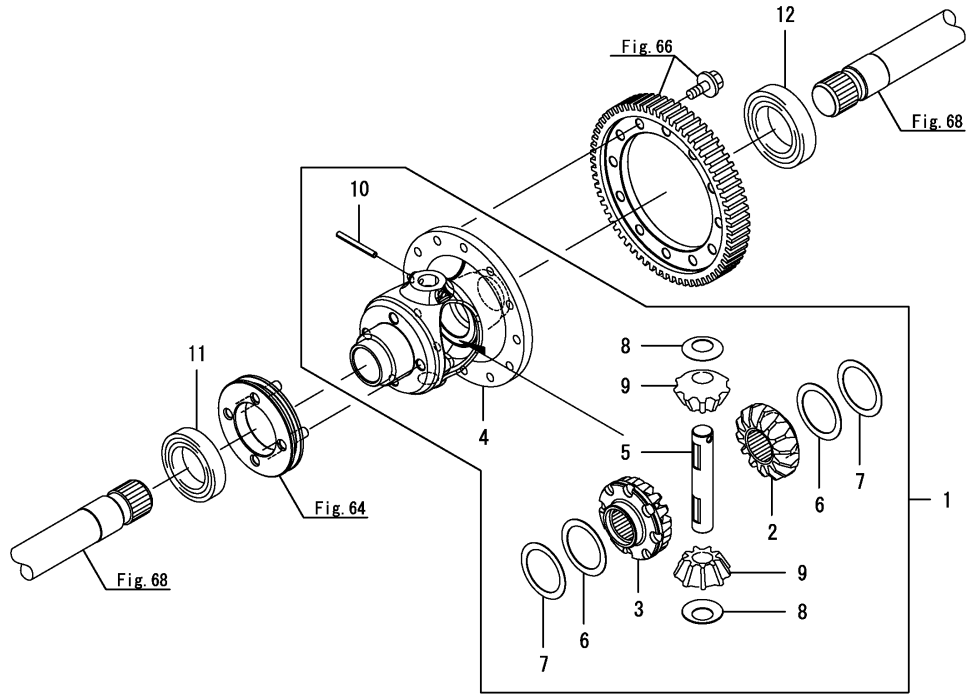


Fig.61. DIFFERENTIAL GEAR

(A)=SA221,EU
(B)=SA424,EU
(C)=

(D)=
(E)=
(F)=



No.	Lev.	Parts No.	Description	Q'ty						I	R
				(A)	(B)	(C)	(D)	(E)	(F)		
1	1	1A8330-31920	DIFFERENTIAL ASSY	1	1						
2	2	192180-31510	GEAR, DIFF.SIDE	1	1						
3	2	1N3590-31510	GEAR, DIFFERENTIAL L	1	1						
4	2	1A8330-31540	CASE, DIFFERENTIAL	1	1						
5	2	1A8330-31550	SHAFT, DIFF PINION	1	1						
6	2	1N3590-31570	LINER, SIDE GEAR	2	2						
7	2	1A8330-31580	LINER, SIDE GEAR	2	2						
8	2	192180-31850	WASHER, DIFF.PINION	2	2						
9	2	1A7090-31850	PINION, DIFFERENTIAL	2	2						
10	2	22351-060056	PIN, SPRING 6.0X56	1	1						
11	1	24101-060104	BEARING, BALL 6010	1	1						
12	1	24101-060114	BEARING, BALL 6011	1	1						

Fig.62. REAR AXLE HOUSING

(A)=SA221,EU
 (B)=SA424,EU
 (C)=

(D)=
 (E)=
 (F)=

No.	Lev.	Parts No.	Description	Q'ty						I	R
				(A)	(B)	(C)	(D)	(E)	(F)		
1	1	1A8330-32610	HOUSING, REAR AXLE L	1							
2	1	1A8330-32660	HOUSING, REAR AXLE R	1							
3	1	22252-000680	RING, 68	2							
4	1	22312-080140	PIN, PARALLEL M8X14	4							
5	1	24421-456812	SEAL, OIL TC456812	2							
6	1	26106-100402	BOLT, M10X 40 PLATED	9							
7	1	26106-100402	BOLT, M10X 40 PLATED	10							

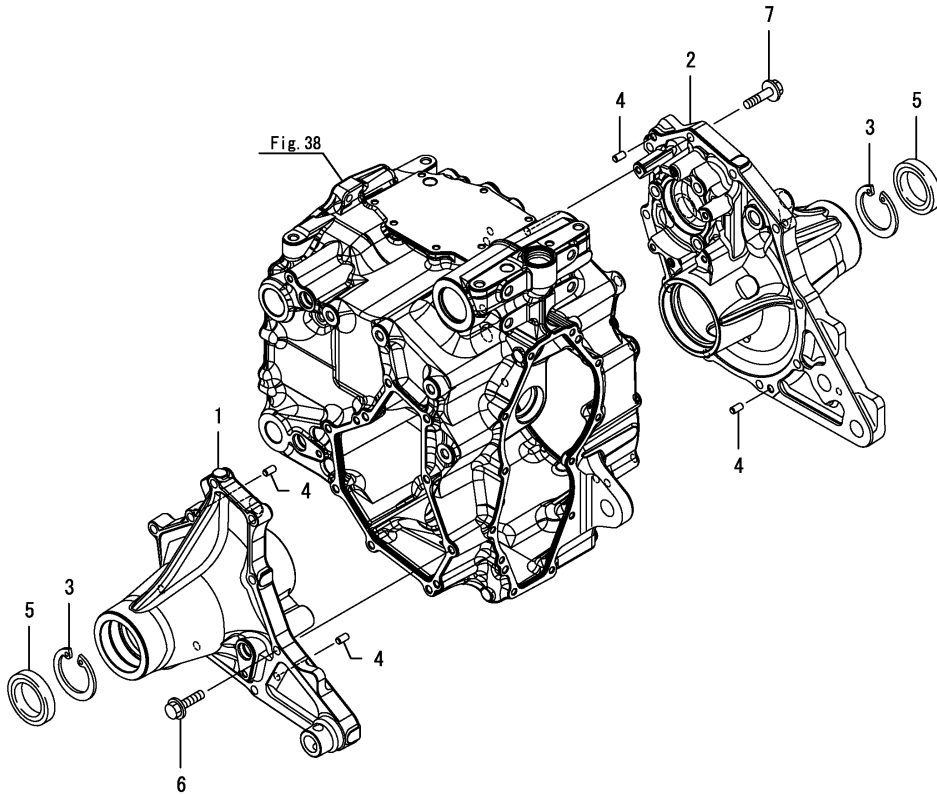


Fig.63. REAR AXLE HOUSING

(A)=SA221,EU
 (B)=SA424,EU
 (C)=

(D)=
 (E)=
 (F)=

No.	Lev.	Parts No.	Description	Q'ty						I	R
				(A)	(B)	(C)	(D)	(E)	(F)		
1	1	1A8320-32610	HOUSING, REAR AXLE L		1						
2	1	1A8320-32660	HOUSING, REAR AXLE R		1						
3	1	22252-000750	RING, 75				2				
4	1	22312-080140	PIN, PARALLEL M8X14				4				
5	1	24421-527512	SEAL, TC527512				2				
6	1	26106-100402	BOLT, M10X 40 PLATED				9				
7	1	26106-100402	BOLT, M10X 40 PLATED				10				

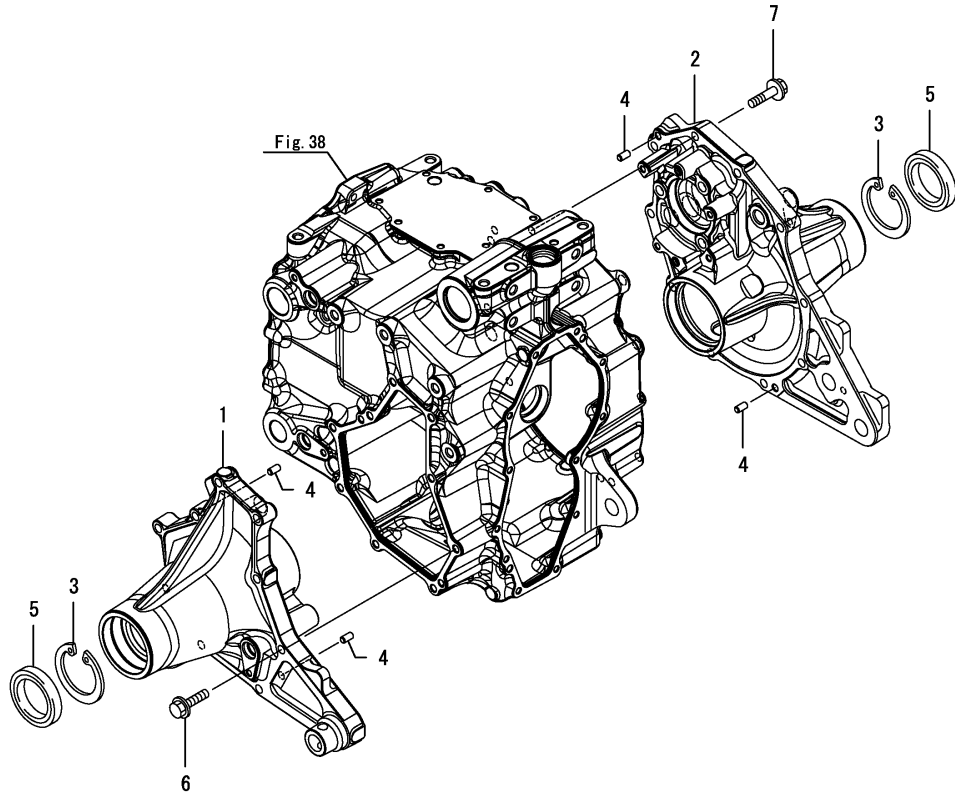
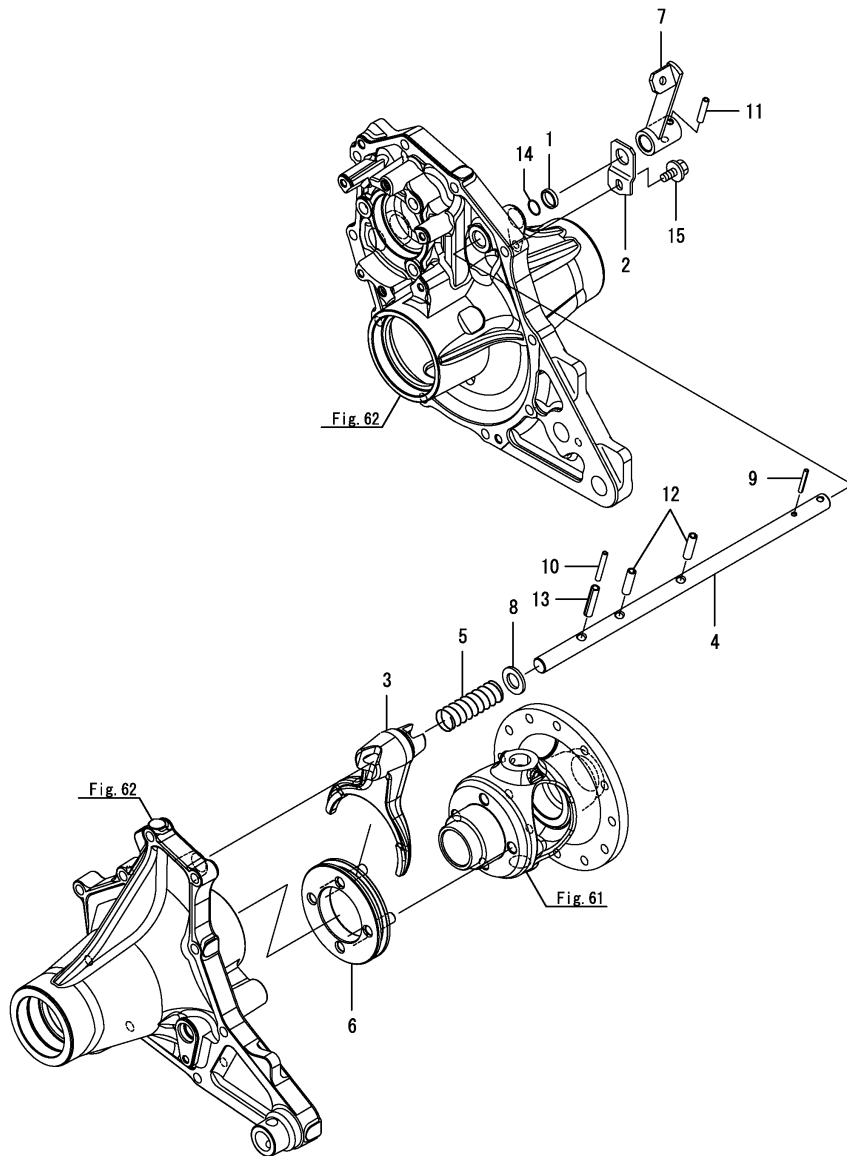


Fig.64. DIFFERENTIAL LOCK

(A)=SA221,EU
(B)=SA424,EU
(C)=

(D)=
(E)=
(F)=



No.	Lev.	Parts No.	Description	Q'ty						I	R
				(A)	(B)	(C)	(D)	(E)	(F)		
1	1	198119-27150	COLLAR, SHIFT ARM A	1	1						
2	1	1A8330-27490	PLATE, KEEP	1	1						
3	1	1A8330-33110	FORK, DIFF.LOCK	1	1						
4	1	1A8330-33120	SHAFT, DIFF.LOCK	1	1						
5	1	1A8330-33140	SPRING, RETURN	1	1						
6	1	1A8330-33150	SLIDER, DIFF.LOCK	1	1						
7	1	1A8330-33200	ARM ASSY, DIFF.LOCK	1	1						
8	1	22137-160000	WASHER, 16	1	1						
9	1	22351-040032	PIN, SPRING 4.0X32	1	1						
10	1	22351-050040	PIN, SPRING 5.0X40	1	1						
11	1	22351-060032	PIN, SPRING 6.0X32	1	1						
12	1	22351-080032	PIN, SPRING 8.0X32	2	2						
13	1	22351-080040	PIN, SPRING 8.0X40	1	1						
14	1	24311-000160	O-RING, 1AP16.0	1	1						
15	1	26106-080162	BOLT, M8X 16 PLATED	1	1						

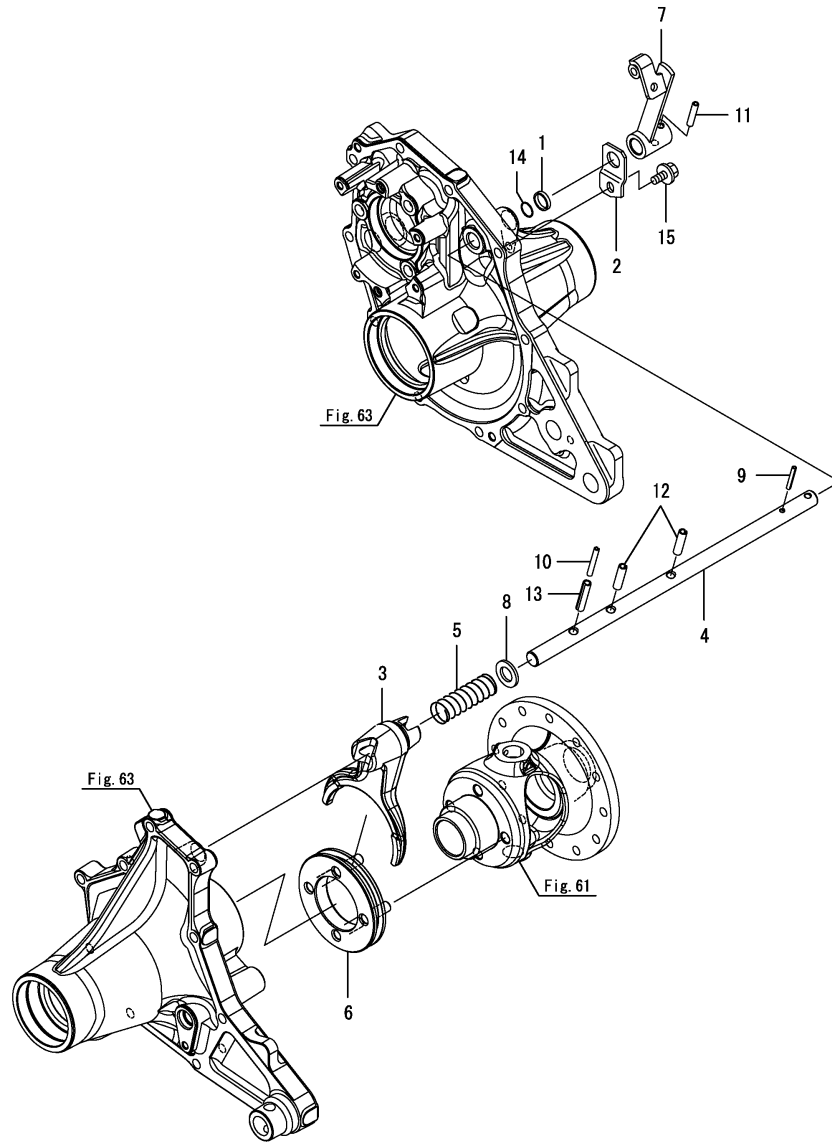
Remarks

* As far as the Serial No. (B)=F500001 and over is concerned refer to Fig.138.

Fig.138. (64A)DIFFERENTIAL LOCK

(A)=SA221,EU
(B)=SA424,EU
(C)=

(D)=
(E)=
(F)=



No.	Lev.	Parts No.	Description	Q'ty						I	R
				(A)	(B)	(C)	(D)	(E)	(F)		
1	1	198119-27150	COLLAR, SHIFT ARM A		1						
2	1	1A8330-27490	PLATE, KEEP		1						
3	1	1A8330-33110	FORK, DIFF.LOCK		1						
4	1	1A8330-33120	SHAFT, DIFF.LOCK		1						
5	1	1A8330-33140	SPRING, RETURN		1						
6	1	1A8330-33150	SLIDER, DIFF.LOCK		1						
7	1	1A8330-67410	ARM ASSY, DIFF. LOCK		1						
8	1	22137-160000	WASHER, 16		1						
9	1	22351-040032	PIN, SPRING 4.0X32		1						
10	1	22351-050040	PIN, SPRING 5.0X40		1						
11	1	22351-060032	PIN, SPRING 6.0X32		1						
12	1	22351-080032	PIN, SPRING 8.0X32		2						
13	1	22351-080040	PIN, SPRING 8.0X40		1						
14	1	24311-000160	O-RING, 1AP16.0		1						
15	1	26106-080162	BOLT, M8X 16 PLATED		1						

Remarks

* This figure is applicable to [(B)=F500001] or following machines.
Please refer to Fig.64 before above-mentioned Engine Serial.

Fig.65. FINAL PINION

(A)=SA221,EU
(B)=SA424,EU
(C)=

(D)=
(E)=
(F)=

No.	Lev.	Parts No.	Description	Q'ty						I	R
				(A)	(B)	(C)	(D)	(E)	(F)		
1	1	1A8330-31470	GEAR, RING	1	1						
2	1	1A8330-33410	PINION, FINAL	1	1						
3	1	24101-063064	BEARING, BALL 6306	1	1						
4	1	24101-063074	BEARING, BALL 6307	1	1						

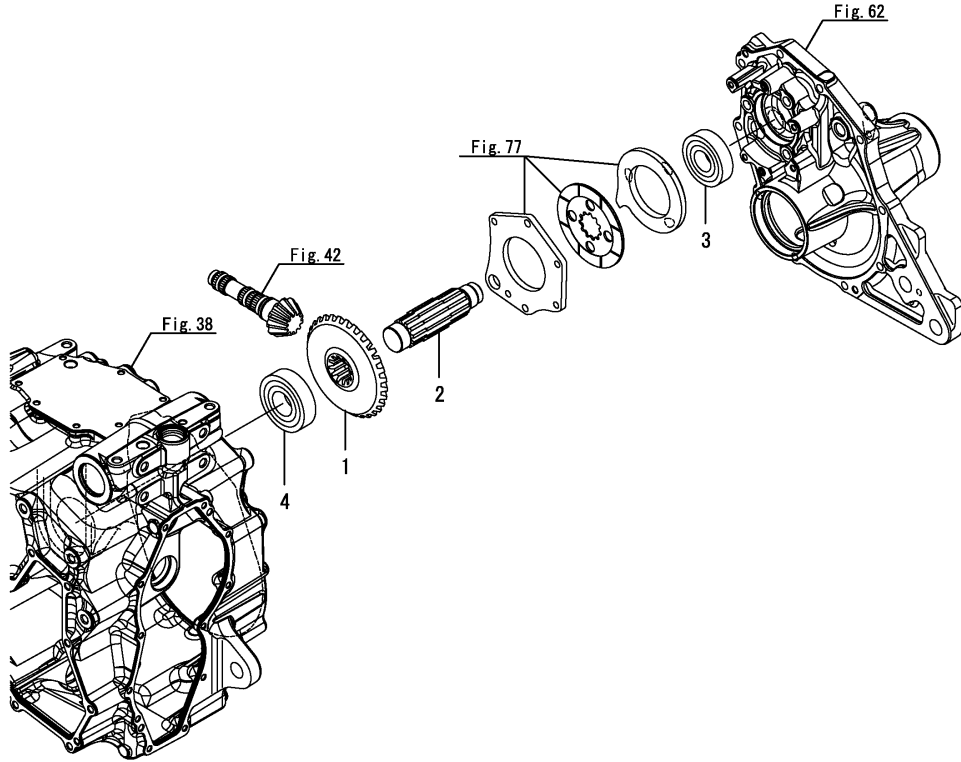


Fig.66. FINAL GEAR

(A)=SA221,EU
(B)=SA424,EU
(C)=

(D)=
(E)=
(F)=

No.	Lev.	Parts No.	Description	Q'ty						I	R
				(A)	(B)	(C)	(D)	(E)	(F)		
1	1	1A8330-33510	GEAR, FINAL	1							
2	1	26106-100252	BOLT, M10X 25 PLATED	12							

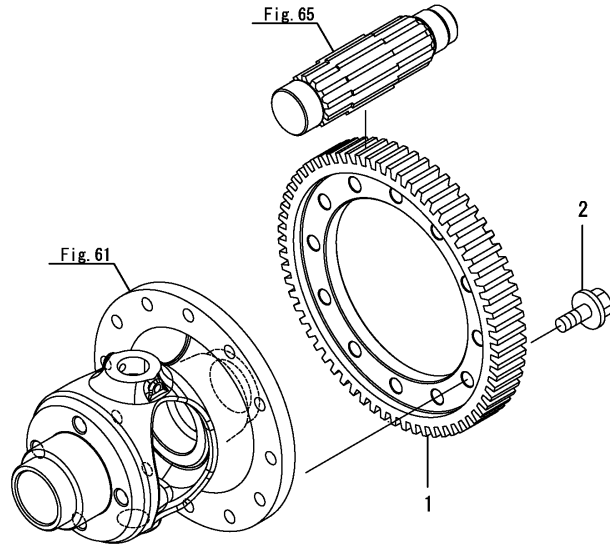


Fig.67. FINAL GEAR

(A)=SA221,EU
(B)=SA424,EU
(C)=

(D)=
(E)=
(F)=

No.	Lev.	Parts No.	Description	Q'ty						I	R
				(A)	(B)	(C)	(D)	(E)	(F)		
1	1	1A8320-33510	GEAR, FINAL		1						
2	1	26106-100252	BOLT, M10X 25 PLATED		12						

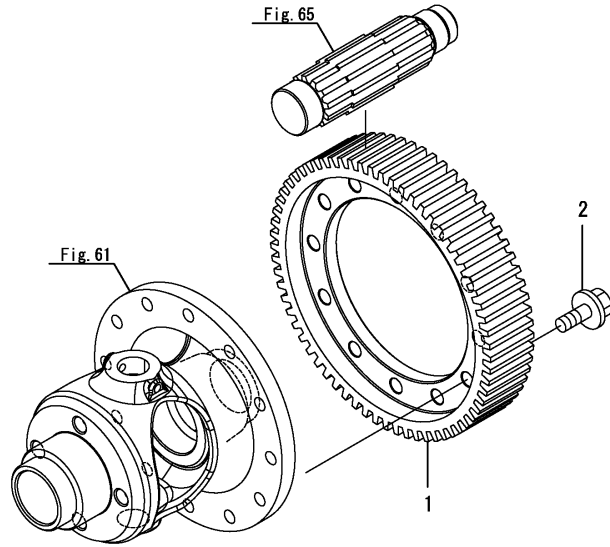


Fig.68. REAR AXLE SHAFT

(A)=SA221,EU
 (B)=SA424,EU
 (C)=

(D)=
 (E)=
 (F)=

No.	Lev.	Parts No.	Description	Qty						I	R
				(A)	(B)	(C)	(D)	(E)	(F)		
1	1	1A8330-34100	SHAFT, REAR AXLE	2							
2	1	22242-000400	RING, 40	2							
3	1	24101-060084	BEARING, BALL 6008	2							

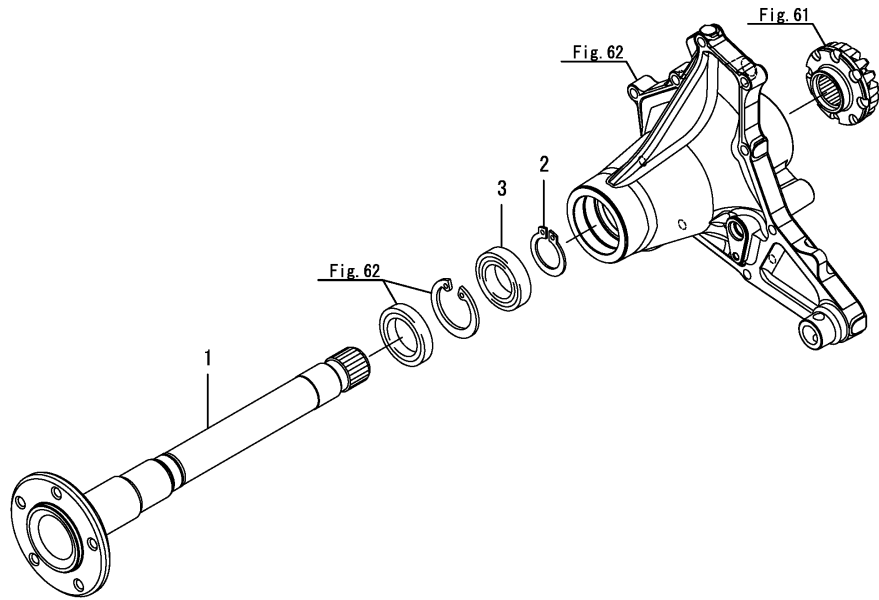


Fig.69. REAR AXLE SHAFT

(A)=SA221,EU
 (B)=SA424,EU
 (C)=

(D)=
 (E)=
 (F)=

No.	Lev.	Parts No.	Description	Q'ty						I	R
				(A)	(B)	(C)	(D)	(E)	(F)		
1	1	1A8320-34100	SHAFT, REAR AXLE		2						
2	1	22242-000450	RING, 45		2						
3	1	24101-060094	BEARING, BALL 6009		2						

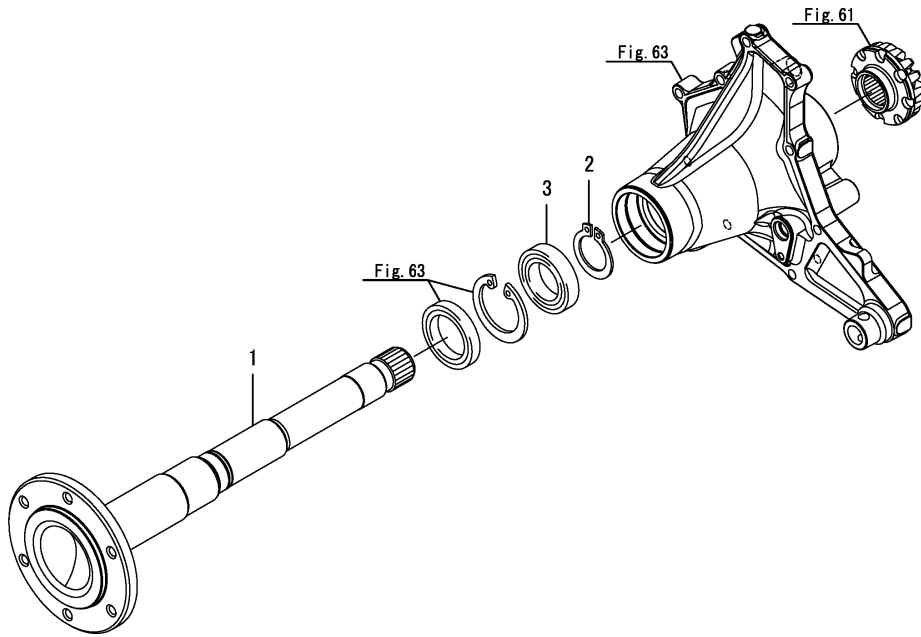
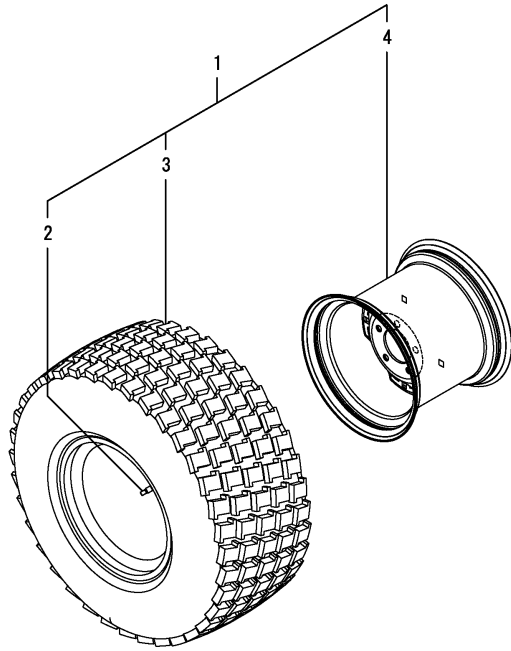


Fig.70. REAR WHEEL TIRE(R3)

(A)=SA221,EU
(B)=SA424,EU
(C)=

(D)=
(E)=
(F)=



No.	Lev.	Parts No.	Description	Q'ty						I	R
				(A)	(B)	(C)	(D)	(E)	(F)		
1	1	1A8330-34500	TIRE KIT, R3 REAR	2							
2	2	1A8330-14750	VALVE	2							
3	2	1A8330-34510	TIRE, 26X12.00-12 R3	2							
4	2	1A8330-34720	WHEEL, 12X10.5	2							

Remarks

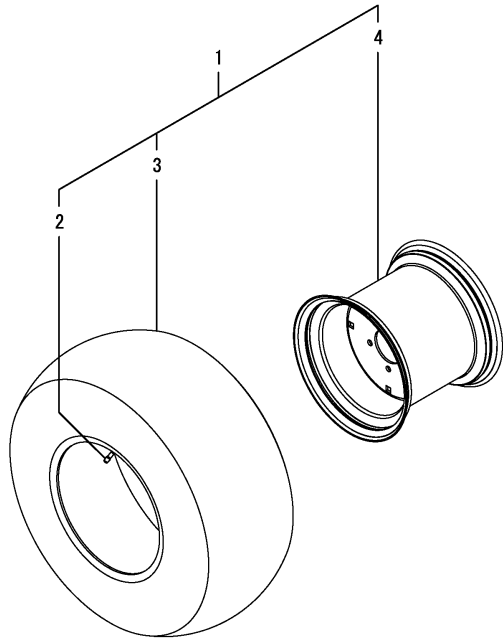
* This figure is applicable to [(A)=F500001] or previous machines.
Please refer to Fig.133 since above-mentioned Engine Serial.

Fig.133. (70A)REAR WHEEL TIRE(R3)

(A)=SA221,EU
(B)=SA424,EU
(C)=

(D)=
(E)=
(F)=

No.	Lev.	Parts No.	Description	Q'ty						I	R
				(A)	(B)	(C)	(D)	(E)	(F)		
1	1	1A8331-34500	TIRE KIT, R3 REAR	2							
2	2	1A8330-14750	VALVE	2							
3	2	1A8331-34510	TIRE, 26X12.00-12 R3	2							
4	2	1A8331-34720	WHEEL, 12X10.5	2							



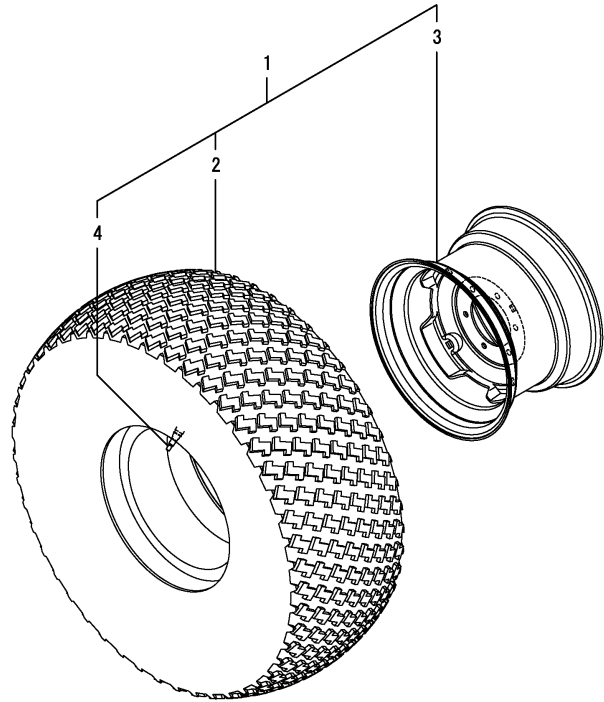
Remarks

* This figure is applicable to [(A)=F500002] or following machines.
Please refer to Fig.70 before above-mentioned Engine Serial.

Fig.71. REAR WHEEL TIRE(R3)

(A)=SA221,EU
(B)=SA424,EU
(C)=

(D)=
(E)=
(F)=



No.	Lev.	Parts No.	Description	Q'ty						I	R	
				(A)	(B)	(C)	(D)	(E)	(F)			
1	1	1A8320-34600	TIRE KIT, R3 REAR		2							
2	2	1A8320-34610	TIRE, 36X14-15 R3		2							
3	2	1A8320-34620	WHEEL, 15X10		2							
4	2	1A8320-34650	VALVE		2							

Remarks

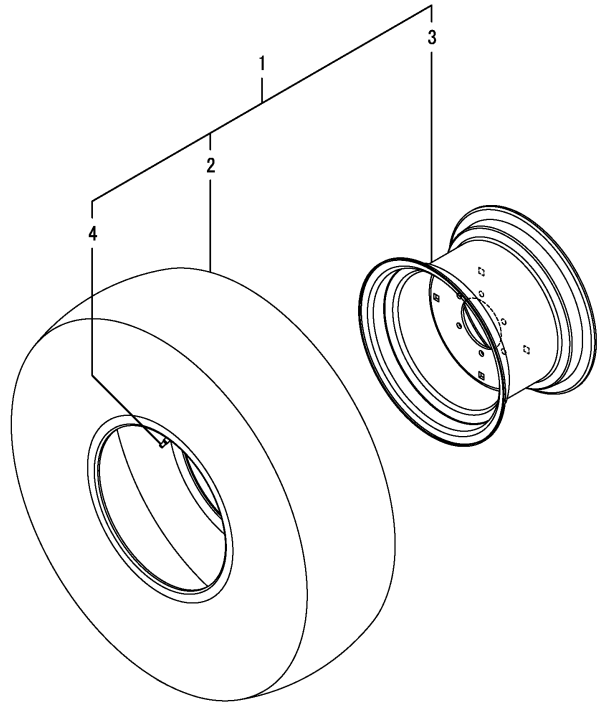
* This figure is applicable to [(B)=F500000] or previous machines.
Please refer to Fig.134 since above-mentioned Engine Serial.

Fig.134. (71A)REAR WHEEL TIRE(R3)

(A)=SA221,EU
(B)=SA424,EU
(C)=

(D)=
(E)=
(F)=

No.	Lev.	Parts No.	Description	Q'ty						I	R	
				(A)	(B)	(C)	(D)	(E)	(F)			
1	1	1A8321-34600	TIRE KIT, R3 REAR		2							
2	2	1A8321-34610	TIRE, 36X14-15 R3		2							
3	2	1A8321-34620	WHEEL, 15X10		2							
4	2	1A8320-34650	VALVE		2							



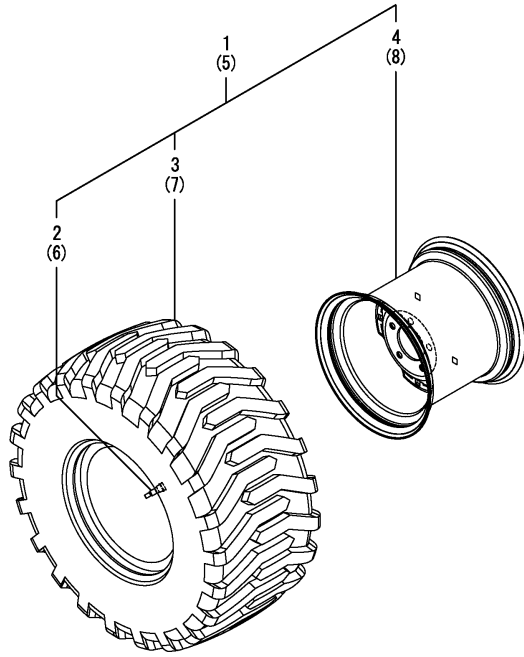
Remarks

* This figure is applicable to [(B)=F500001] or following machines.
Please refer to Fig.71 before above-mentioned Engine Serial.

Fig.72. REAR WHEEL TIRE(R4)

(A)=SA221,EU
(B)=SA424,EU
(C)=

(D)=
(E)=
(F)=



No.	Lev.	Parts No.	Description	Q'ty						I	R
				(A)	(B)	(C)	(D)	(E)	(F)		
1	1	1A8330-34700	TIRE KIT, R4 REAR L	1							
2	2	1A8330-14750	VALVE	1							
3	2	1A8330-34710	TIRE,26X12-12 R4	1							
4	2	1A8330-34720	WHEEL, 12X10.5	1							
5	1	1A8330-34800	TIRE KIT, R4 REAR R	1							
6	2	1A8330-14750	VALVE	1							
7	2	1A8330-34710	TIRE,26X12-12 R4	1							
8	2	1A8330-34720	WHEEL, 12X10.5	1							

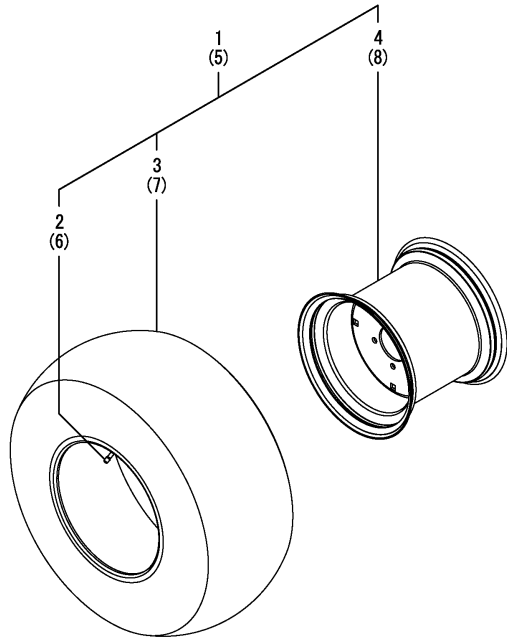
Remarks

* This figure is applicable to [(A)=F500001] or previous machines.
Please refer to Fig.135 since above-mentioned Engine Serial.

Fig.135. (72A)REAR WHEEL TIRE(R4)

(A)=SA221,EU
(B)=SA424,EU
(C)=

(D)=
(E)=
(F)=



No.	Lev.	Parts No.	Description	Q'ty						I	R
				(A)	(B)	(C)	(D)	(E)	(F)		
1	1	1A8331-34700	TIRE KIT, R4 REAR L	1							
2	2	1A8330-14750	VALVE	1							
3	2	1A8331-34710	TIRE,26X12-12 R4	1							
4	2	1A8331-34720	WHEEL, 12X10.5	1							
5	1	1A8331-34800	TIRE KIT, R4 REAR R	1							
6	2	1A8330-14750	VALVE	1							
7	2	1A8331-34710	TIRE,26X12-12 R4	1							
8	2	1A8331-34720	WHEEL, 12X10.5	1							

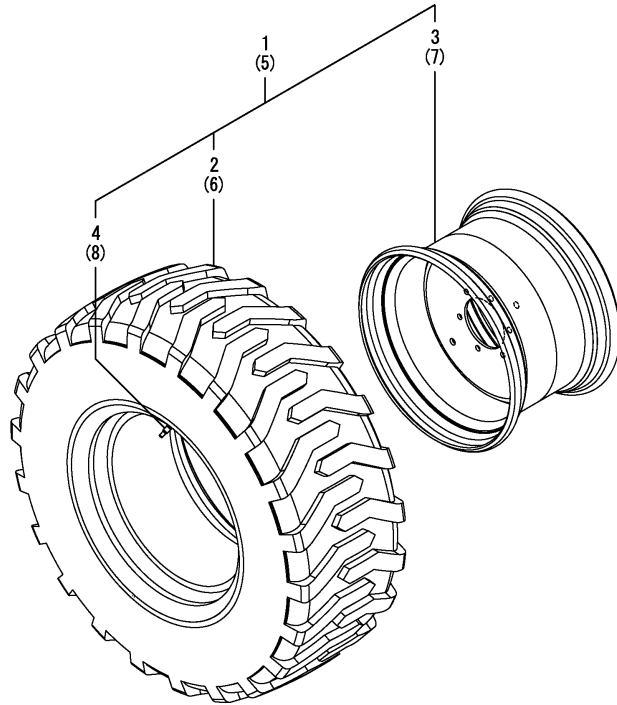
Remarks

* This figure is applicable to [(A)=F500002] or following machines.
Please refer to Fig.72 before above-mentioned Engine Serial.

Fig.73. REAR WHEEL TIRE(R4)

(A)=SA221,EU
(B)=SA424,EU
(C)=

(D)=
(E)=
(F)=



No.	Lev.	Parts No.	Description	Q'ty						I	R
				(A)	(B)	(C)	(D)	(E)	(F)		
1	1	1A8320-34900	TIRE KIT, R4 REAR L		1						
2	2	1A8320-34910	TIRE, 14X17.5 R4		1						
3	2	1A8320-34920	WHEEL		1						
4	2	1A8320-34950	VALVE		1						
5	1	1A8320-34960	TIRE KIT, R4 REAR R		1						
6	2	1A8320-34910	TIRE, 14X17.5 R4		1						
7	2	1A8320-34920	WHEEL		1						
8	2	1A8320-34950	VALVE		1						

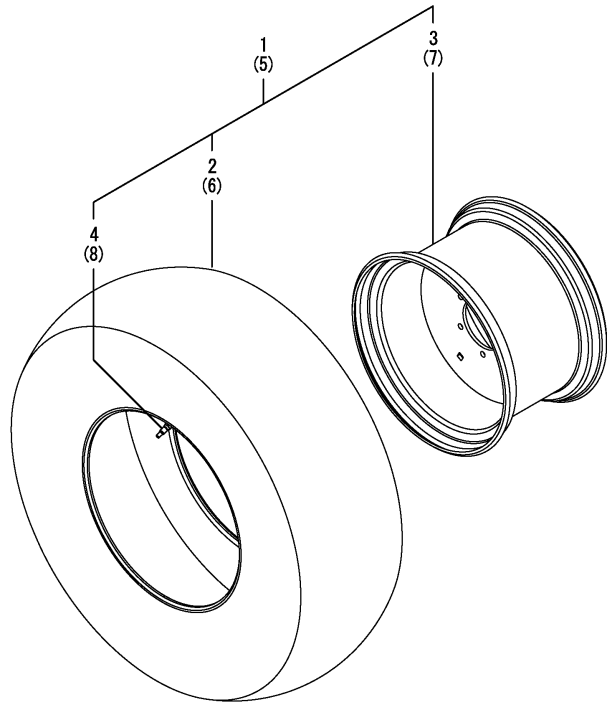
Remarks

* This figure is applicable to [(B)=F500000] or previous machines.
Please refer to Fig.136 since above-mentioned Engine Serial.

Fig.136. (73A)REAR WHEEL TIRE(R4)

(A)=SA221,EU
(B)=SA424,EU
(C)=

(D)=
(E)=
(F)=



No.	Lev.	Parts No.	Description	Q'ty						I	R	
				(A)	(B)	(C)	(D)	(E)	(F)			
1	1	1A8321-34900	TIRE KIT, R4 REAR L		1							
2	2	1A8321-34910	TIRE, 14X17.5 R4		1							
3	2	1A8321-34920	WHEEL, 17.5X10.5		1							
4	2	1A8320-34950	VALVE		1							
5	1	1A8321-34960	TIRE KIT, R4 REAR R		1							
6	2	1A8321-34910	TIRE, 14X17.5 R4		1							
7	2	1A8321-34920	WHEEL, 17.5X10.5		1							
8	2	1A8320-34950	VALVE		1							

Remarks

* This figure is applicable to [(B)=F500001] or following machines.
Please refer to Fig.73 before above-mentioned Engine Serial.

Fig.74. HUB BOLT

(A)=SA221,EU
 (B)=SA424,EU
 (C)=

(D)=
 (E)=
 (F)=

No.	Lev.	Parts No.	Description	Q'ty						I	R
				(A)	(B)	(C)	(D)	(E)	(F)		
1	1	1A8330-34540	BOLT, 12X30	10							

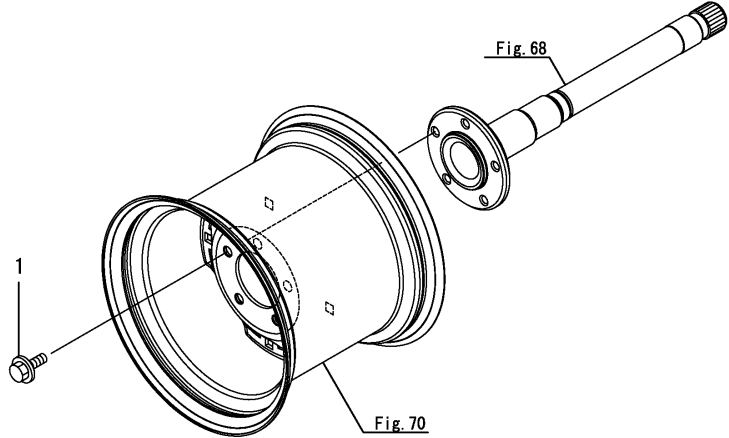


Fig.75. HUB BOLT

(A)=SA221,EU
(B)=SA424,EU
(C)=

(D)=
(E)=
(F)=

No.	Lev.	Parts No.	Description	Q'ty						I	R
				(A)	(B)	(C)	(D)	(E)	(F)		
1	1	1A8330-34540	BOLT, 12X30		12						

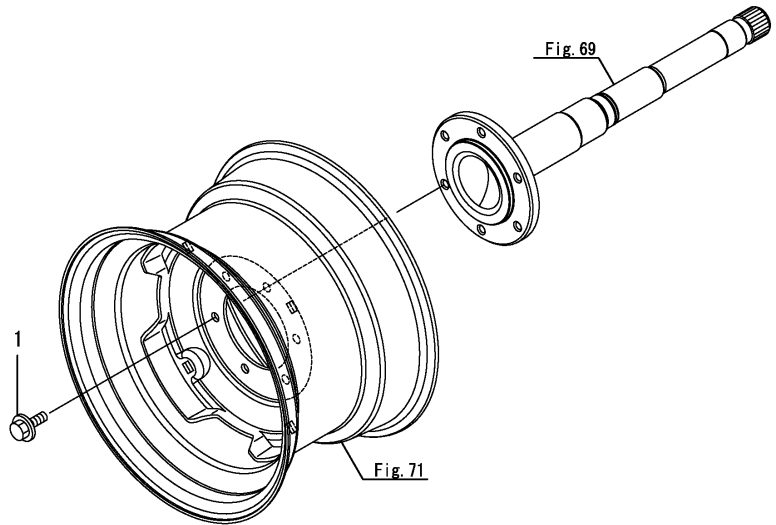
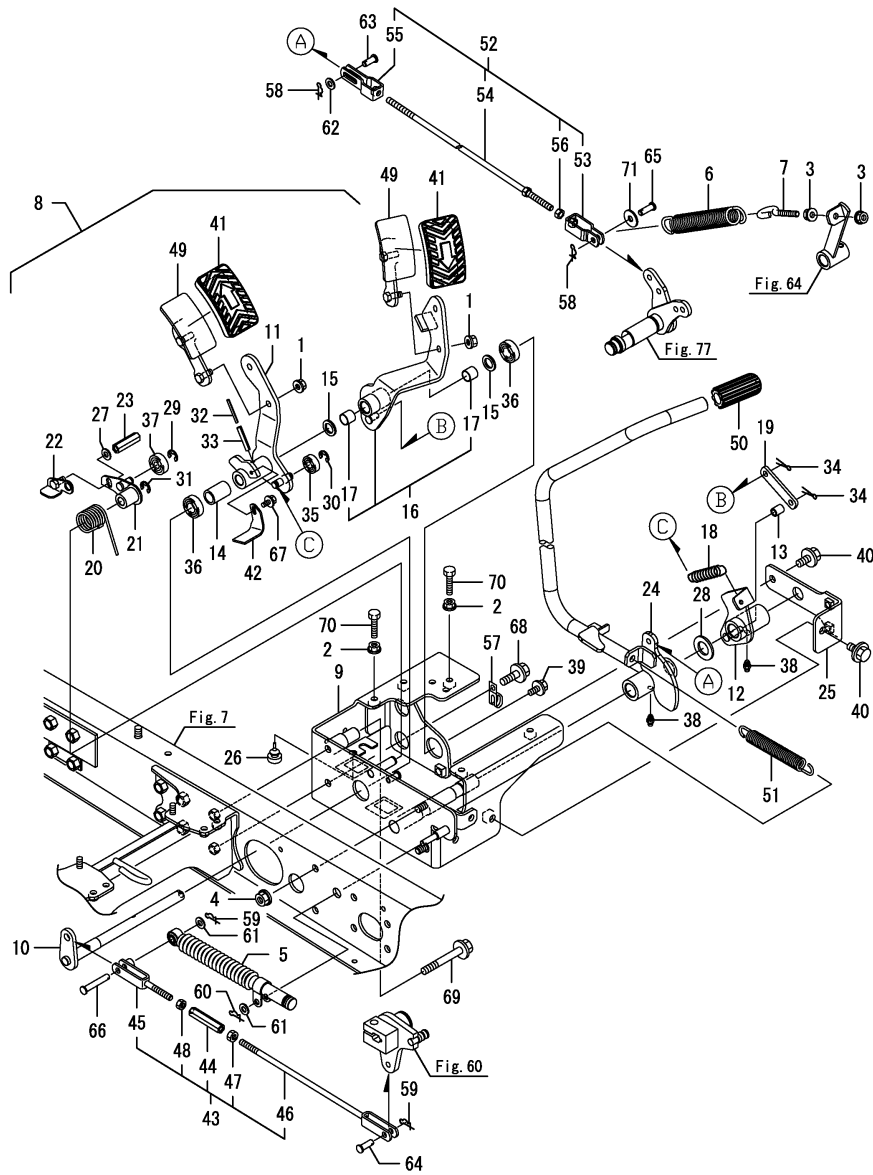


Fig.76. PEDAL

(A)=SA221,EU
(B)=SA424,EU
(C)=

(D)=
(E)=
(F)=

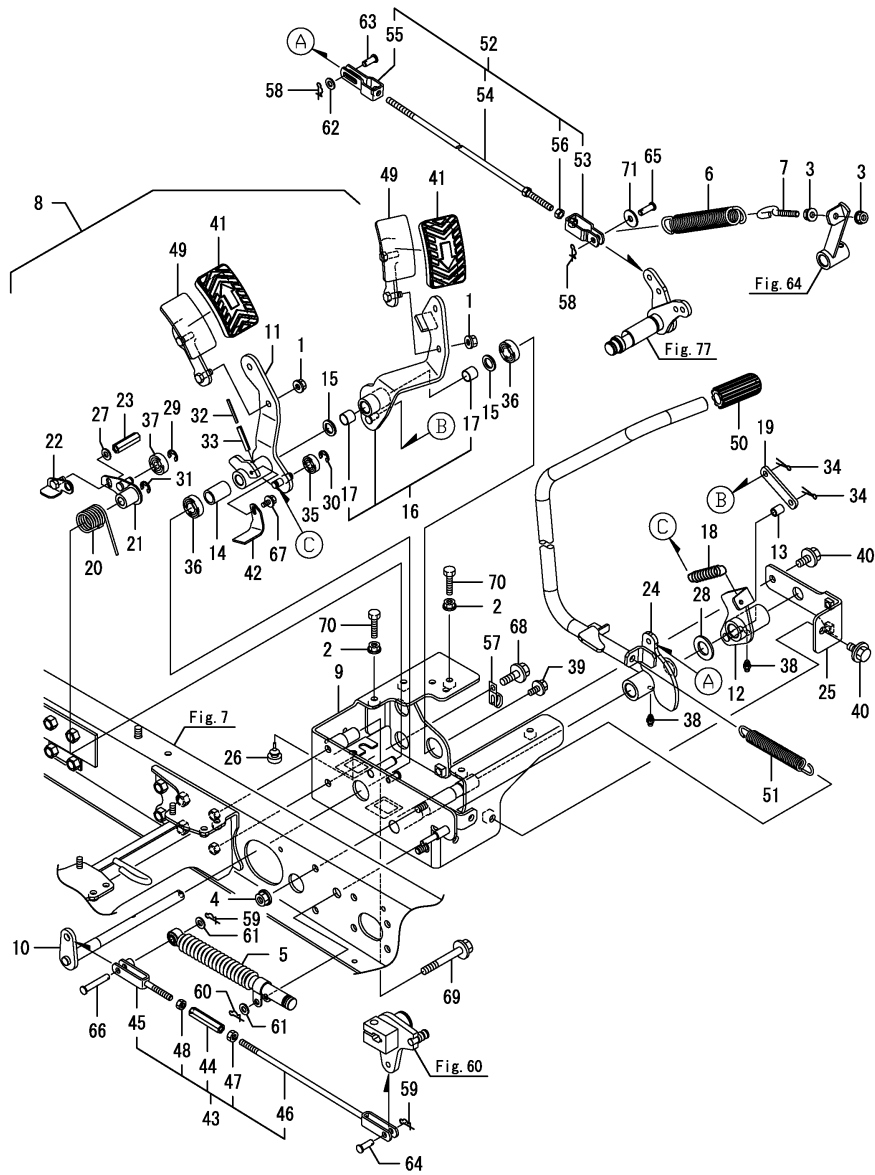


No.	Lev.	Parts No.	Description	(A)	(B)	Q'ty						I	R
						(C)	(D)	(E)	(F)				
1	1	194990-22140	NUT, M8	4	4								
2	1	194990-22140	NUT, M8	2	2								
3	1	194990-22140	NUT, M8	2	2								
4	1	194990-22150	NUT, M10	2	2								
5	1	192154-29610	ABSORBER, SHOCK	1	1								
6	1	1A8330-33130	SPRING, DIFF LOCK	1	1								
7	1	1A8330-33240	ADJUSTER, LINK	1	1								
8	1	1A8330-35000	PEDAL UNIT	1	1								
9	2	1A8330-35010	STAY ASSY, HST PEDAL	1	1								
10	2	1A8330-35050	SHAFT ASSY, PEDAL	1	1								
11	2	1A8330-35151	PEDAL, F	1	1								
12	2	1A8330-35250	LINK, FR	1	1								
13	2	1A8330-35280	COLLAR, ARM	1	1								
14	2	1A8330-35290	COLLAR, HST SHAFT	1	1								
15	2	1A8330-35330	WASHER, 15	2	2								
16	2	1A8330-35360	PEDAL, R	1	1								
17	3	24550-015150	BUSH, 15X15	2	2								
18	2	198167-35411	SPRING, PEDAL	1	1								
19	2	1A8330-35410	LINK, PEDAL	1	1								
20	2	1A8330-35620	SPRING, N SWITCH	1	1								
21	2	1A8330-35651	ARM ASSY, SWITCH	1	1								
22	2	1A8330-35710	PLATE ASSY, N SWITCH	1	1								
23	2	1A8330-35740	NUT, HEXAGON	1	1								
24	2	1A8330-37500	PEDAL ASSY, BRAKE	1	1								
25	2	1A8330-37730	BRACKET ASSY	1	1								
26	2	194330-62530	STOPPER, PEDAL	1	1								
27	2	22137-080000	WASHER, 8	1	1								
28	2	22137-200000	WASHER, 20	1	1								
29	2	22272-000080	RING, E- 8	1	1								
30	2	22272-000080	RING, E- 8	1	1								
31	2	22272-000080	RING, E- 8	1	1								
32	2	22351-035036	PIN, SPRING 3.5X36	1	1								
33	2	22351-060036	PIN, SPRING 6.0X36	1	1								
34	2	22417-200160	PIN, COTTER 2.0X16	2	2								
35	2	24104-060000	BEARING, 6000UUC3	1	1								
36	2	24104-060024	BEARING, BALL 6002UU	2	2								
37	2	24104-062004	BEARING, BALL 6200UU	1	1								
38	2	24761-010000	NIPPLE, GREASE M6F	2	2								
39	2	26106-080162	BOLT, M8X 16 PLATED	1	1								
40	2	26106-100202	BOLT, M10X 20 PLATED	2	2								
41	1	1A8160-35080	HEAD, PEDAL	2	2								
42	1	1A8330-35082	PLATE, PUSH	1	1								
43	1	1A8330-35513	ROD ASSY, HST	1	1								
44	2	1A7880-29430	TURNBUCKLE, M8X60	1	1								
45	2	1A8330-35540	ROD ASSY, R	1	1								
46	2	1A8330-35550	ROD ASSY, L	1	1								
47	2	1A8330-35580	NUT, M8 L	1	1								
48	2	26716-080002	NUT, M8	1	1								
49	1	1A8330-35800	HEAD ASSY, PEDAL	2	2								
50	1	1A7880-37200	HEAD, BRAKE PEDAL	1	1								
51	1	198421-37511	SPRING, RETURN	1	1								

Remarks

* This figure is applicable to [(A)=F500001][[(B)=F500000] or previous machines.
Please refer to Fig.143 since above-mentioned Engine Serial.

Fig.76. PEDAL



(A)=SA221,EU
(B)=SA424,EU
(C)=

(D)=
(E)=
(F)=

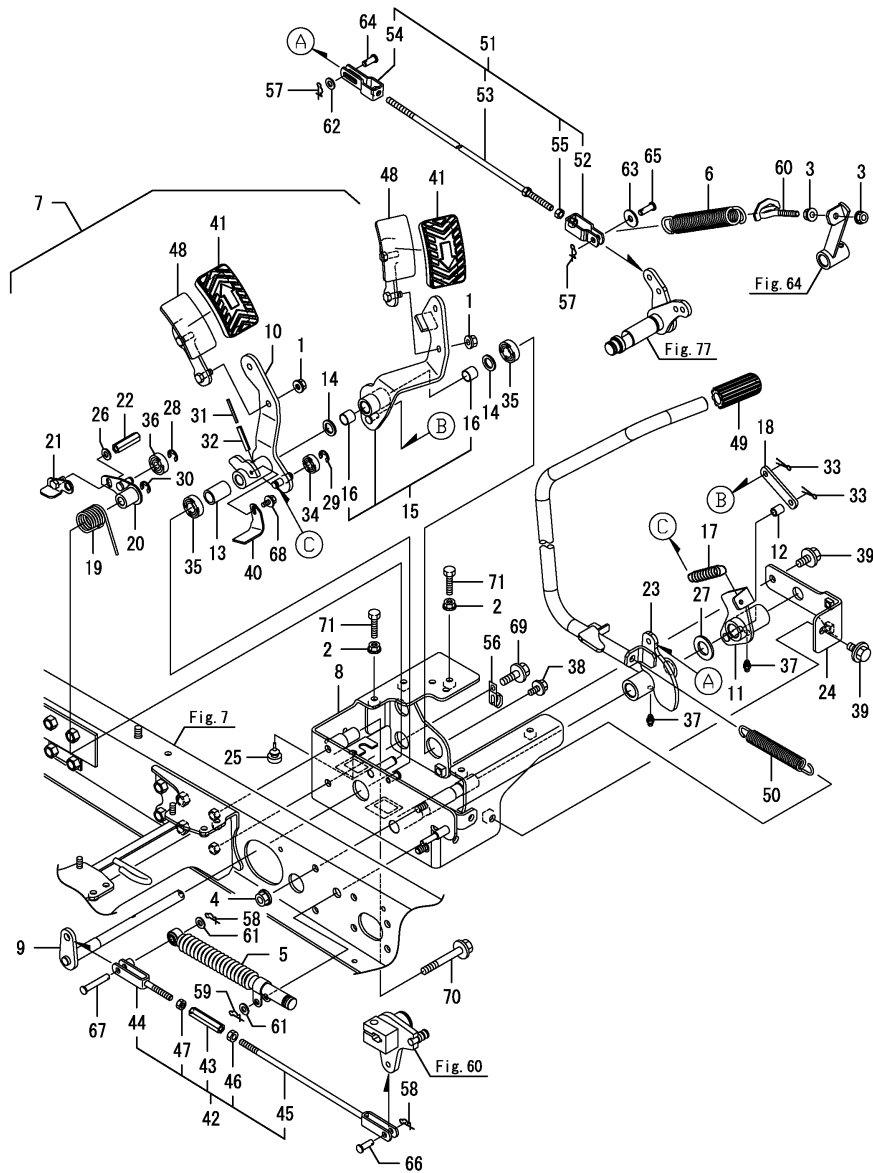
No.	Lev.	Parts No.	Description	Q'ty						I	R
				(A)	(B)	(C)	(D)	(E)	(F)		
52	1	1A8330-38300	ROD KIT, BRAKE	1	1						
53	2	1A8330-37830	JOINT ASSY, LINK	1	1						
54	2	1A8330-38310	ROD ASSY, BRAKE	1	1						
55	2	1A8330-38340	JOINT ASSY, LINK LH	1	1						
56	2	26716-080002	NUT, M8	1	1						
57	1	194180-51640	CLAMP, HARNESS D	1	1						
58	1	1C6281-52320	PIN, SNAP 8	2	2						
59	1	1C6281-52320	PIN, SNAP 8	2	2						
60	1	1C6281-52320	PIN, SNAP 8	1	1						
61	1	22137-080000	WASHER, 8	2	2						
62	1	22137-080000	WASHER, 8	1	1						
63	1	22487-080160	PIN, H 8X 16	1	1						
64	1	22487-080200	PIN, H 8X 20	1	1						
65	1	22487-080200	PIN, H 8X 20	1	1						
66	1	22487-080450	PIN 8X 45	1	1						
67	1	26106-060122	BOLT, M6X 12 PLATED	1	1						
68	1	26106-100302	BOLT, M10X 30 PLATED	1	1						
69	1	26106-100752	BOLT, M10X 75 PLATED	1	1						
70	1	26116-080354	BOLT, M8X 35 PLATED	2	2						
71	1	22157-080000	WASHER, 8	1	1						

Remarks

* This figure is applicable to [(A)=F500001][[(B)=F500000] or previous machines.
Please refer to Fig.143 since above-mentioned Engine Serial.

(A)=SA221,EU
 (B)=SA424,EU
 (C)=

(D)=
 (E)=
 (F)=

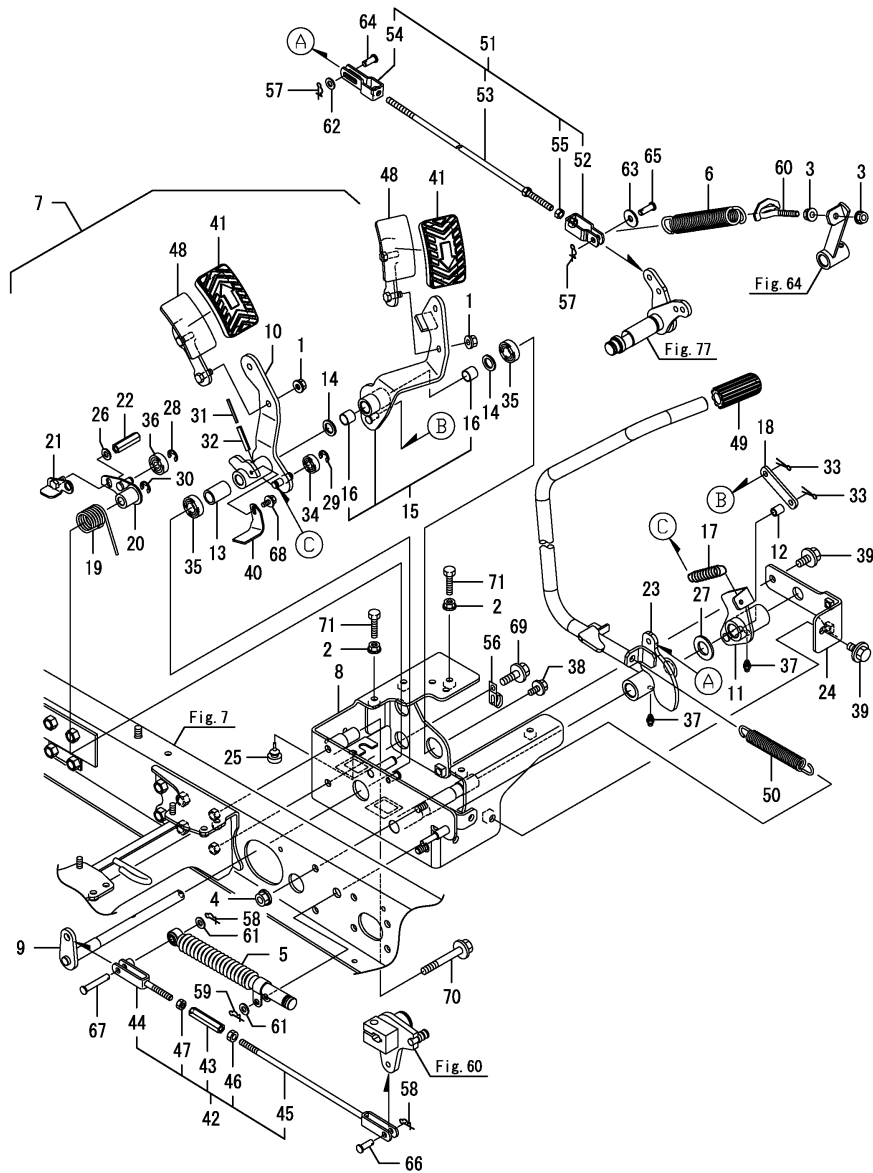


No.	Lev.	Parts No.	Description	Q'ty						I	R
				(A)	(B)	(C)	(D)	(E)	(F)		
1	1	194990-22140	NUT, M8	4	4						
2	1	194990-22140	NUT, M8	2	2						
3	1	194990-22140	NUT, M8	2	2						
4	1	194990-22150	NUT, M10	2	2						
5	1	192154-29611	ABSORBER, SHOCK	1	1						
6	1	1A8330-33130	SPRING, DIFF.LOCK	1	1						
7	1	1A8330-35000	PEDAL UNIT	1	1						
8	2	1A8330-35010	STAY ASSY, HST PEDAL	1	1						
9	2	1A8330-35050	SHAFT ASSY, PEDAL	1	1						
10	2	1A8330-35151	PEDAL, F	1	1						
11	2	1A8330-35250	LINK, FR	1	1						
12	2	1A8330-35280	COLLAR, ARM	1	1						
13	2	1A8330-35290	COLLAR, HST SHAFT	1	1						
14	2	1A8330-35330	WASHER, 15	2	2						
15	2	1A8330-35360	PEDAL, R	1	1						
16	3	24550-015150	BUSH, 15X15	2	2						
17	2	198167-35411	SPRING, PEDAL	1	1						
18	2	1A8330-35410	LINK, PEDAL	1	1						
19	2	1A8330-35620	SPRING, N SWITCH	1	1						
20	2	1A8330-35651	ARM ASSY, SWITCH	1	1						
21	2	1A8330-35710	PLATE ASSY, N SWITCH	1	1						
22	2	1A8330-35740	NUT, HEXAGON	1	1						
23	2	1A8330-37500	PEDAL ASSY, BRAKE	1	1						
24	2	1A8330-37730	BRACKET ASSY	1	1						
25	2	194330-62530	STOPPER, PEDAL	1	1						
26	2	22137-080000	WASHER, 8	1	1						
27	2	22137-200000	WASHER, 20	1	1						
28	2	22272-000080	RING, E- 8	1	1						
29	2	22272-000080	RING, E- 8	1	1						
30	2	22272-000080	RING, E- 8	1	1						
31	2	22351-035036	PIN, SPRING 3.5X36	1	1						
32	2	22351-060036	PIN, SPRING 6.0X36	1	1						
33	2	22417-200160	PIN, COTTER 2.0X16	2	2						
34	2	24104-060000	BEARING, 6000UUC3	1	1						
35	2	24104-060024	BEARING, BALL 6002UU	2	2						
36	2	24104-062004	BEARING, BALL 6200UU	1	1						
37	2	24761-010000	NIPPLE, GREASE M6F	2	2						
38	2	26106-080162	BOLT, M8X 16 PLATED	1	1						
39	2	26106-100202	BOLT, M10X 20 PLATED	2	2						
40	1	1A8330-35082	PLATE, PUSH	1	1						
41	1	1A8406-35080	HEAD, PEDAL	2	2						
42	1	1A8330-35513	ROD ASSY, HST	1	1						
43	2	1A7880-29430	TURNBUCKLE, M8X60	1	1						
44	2	1A8330-35540	ROD ASSY, R	1	1						
45	2	1A8330-35550	ROD ASSY, L	1	1						
46	2	1A8330-35580	NUT, M8 L	1	1						
47	2	26716-080002	NUT, M8	1	1						
48	1	1A8330-35800	HEAD ASSY, PEDAL	2	2						
49	1	1A7880-37200	HEAD, BRAKE PEDAL	1	1						
50	1	198421-37511	SPRING, RETURN	1	1						
51	1	1A8330-38300	ROD KIT, BRAKE	1	1						

Remarks
 * This figure is applicable to [(A)=F500002][(B)=F500001] or following machines.
 Please refer to Fig.76 before above-mentioned Engine Serial.

(A)=SA221,EU
 (B)=SA424,EU
 (C)=

(D)=
 (E)=
 (F)=



No.	Lev.	Parts No.	Description	Q'ty						I	R
				(A)	(B)	(C)	(D)	(E)	(F)		
52	2	1A8330-37830	JOINT ASSY, LINK	1	1						
53	2	1A8330-38310	ROD ASSY, BRAKE	1	1						
54	2	1A8330-38340	JOINT ASSY, LINK LH	1	1						
55	2	26716-080002	NUT, M8	1	1						
56	1	194180-51640	CLAMP, HARNESS D	1	1						
57	1	1C6281-52320	PIN, SNAP 8	2	2						
58	1	1C6281-52320	PIN, SNAP 8	2	2						
59	1	1C6281-52320	PIN, SNAP 8	1	1						
60	1	1A8330-67450	ADJUSTER, LINK	1	1						
61	1	22137-080000	WASHER, 8	2	2						
62	1	22137-080000	WASHER, 8	1	1						
63	1	22157-080000	WASHER, 8	1	1						
64	1	22487-080160	PIN, H 8X 16	1	1						
65	1	22487-080200	PIN, H 8X 20	1	1						
66	1	22487-080200	PIN, H 8X 20	1	1						
67	1	22487-080450	PIN 8X 45	1	1						
68	1	26106-060122	BOLT, M6X 12 PLATED	1	1						
69	1	26106-100302	BOLT, M10X 30 PLATED	1	1						
70	1	26106-100752	BOLT, M10X 75 PLATED	1	1						
71	1	26116-080354	BOLT, M8X 35 PLATED	2	2						

Remarks
 * This figure is applicable to [(A)=F500002][[(B)=F500001] or following machines.
 Please refer to Fig.76 before above-mentioned Engine Serial.

Fig.77. BRAKE

(A)=SA221,EU
 (B)=SA424,EU
 (C)=

(D)=
 (E)=
 (F)=

No.	Lev.	Parts No.	Description	Q'ty						I	R
				(A)	(B)	(C)	(D)	(E)	(F)		
1	1	192157-24200	COLLAR, 8X10X11.5	2	2						
2	1	1A8330-36210	ACTUATOR	1	1						
3	1	1A8330-36230	DISK, BRAKE	2	2						
4	1	1A8330-36240	PLATE, BRAKE	1	1						
5	1	198200-36390	PLATE, STEEL	1	1						
6	1	1A8330-36550	SHAFT ASSY,CAM	1	1						
7	1	22242-000200	RING, 20	1	1						
8	1	24190-160001	BALL, STEEL 1/2	3	3						
9	1	24311-000210	O-RING, 1AP21.0	1	1						
10	1	26106-080202	BOLT, M8X 20 PLATED	6	6						

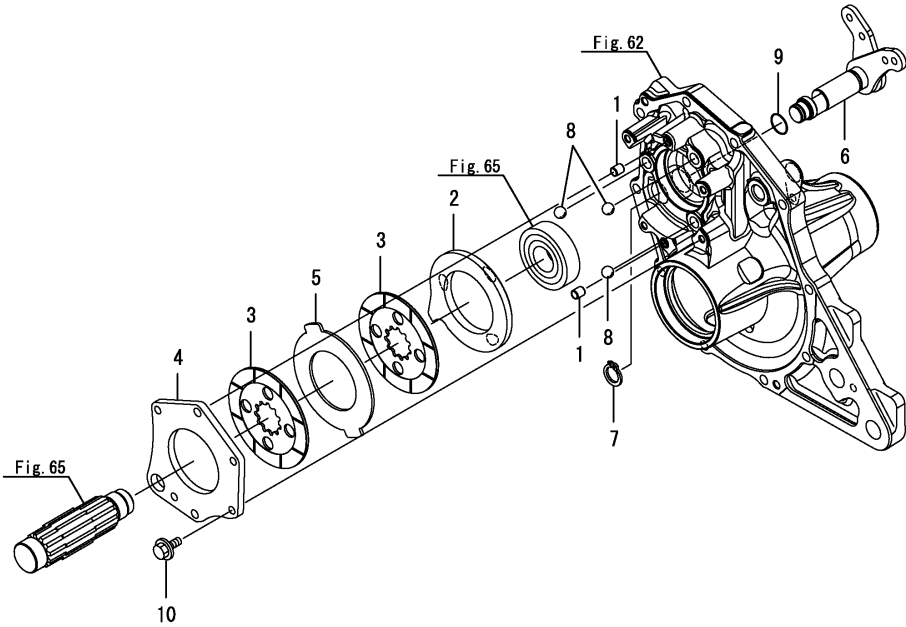
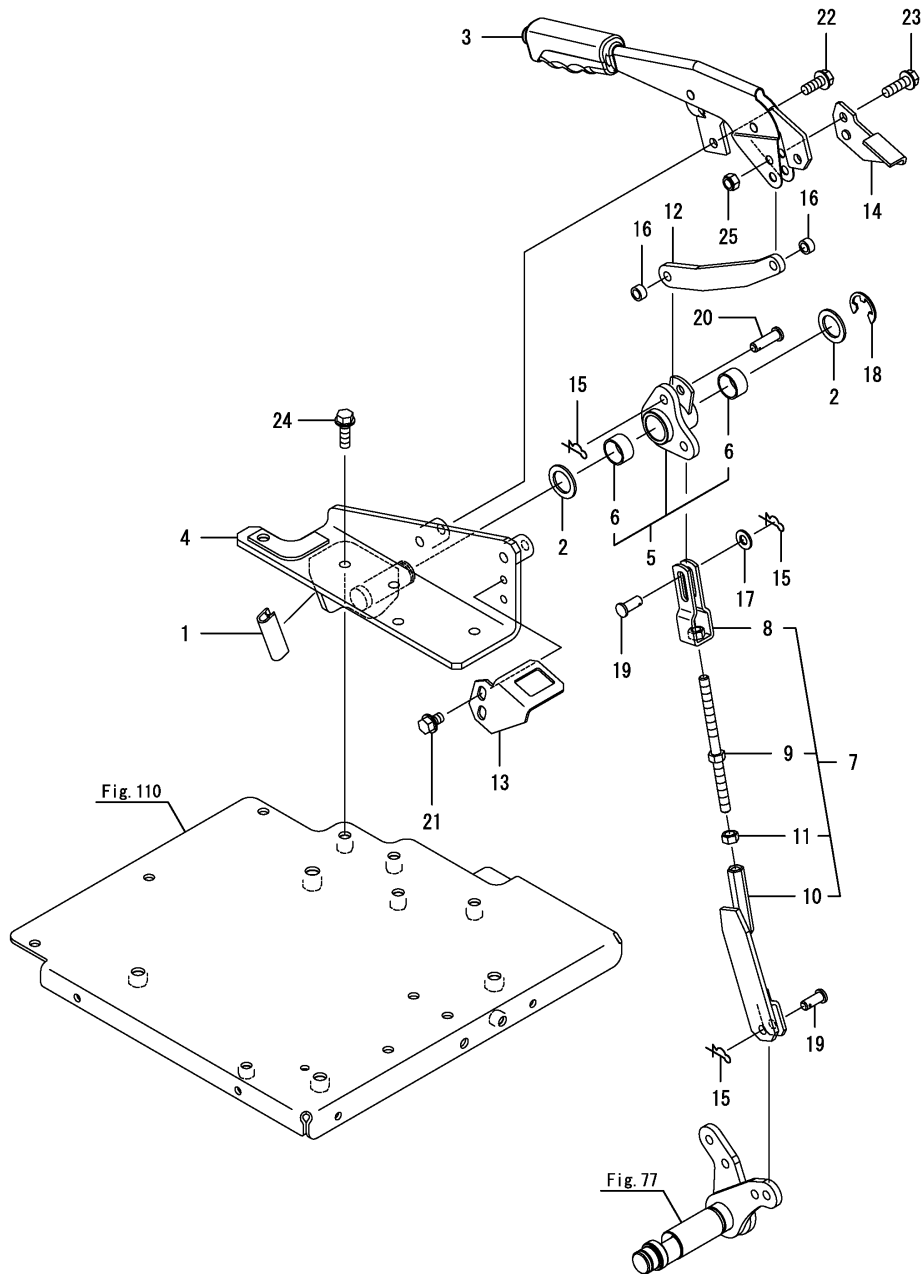


Fig.78. PARKING BRAKE

(A)=SA221,EU
(B)=SA424,EU
(C)=

(D)=
(E)=
(F)=



No.	Lev.	Parts No.	Description	Q'ty						I	R
				(A)	(B)	(C)	(D)	(E)	(F)		
1	1	195616-24930	TRIM	1	1						
2	1	1A7510-36490	WASHER, 20X30X2	2	2						
3	1	1A7510-36550	BRAKE HAND	1	1						
4	1	1A8330-38410	BRACKET ASSY,P BRAKE	1	1						
5	1	1A8330-38450	LINK ASSY, P BRAKE	1	1						
6	2	24550-020120	BUSH, 20X12	2	2						
7	1	1A8330-38510	ROD KIT, HAND BRAKE	1	1						
8	2	1A8330-38340	JOINT ASSY, LINK LH	1	1						
9	2	1A8330-38520	ROD ASSY, HANDBRAKE	1	1						
10	2	1A8330-38550	CLEVIS	1	1						
11	2	26716-080002	NUT, M8	1	1						
12	1	1A8330-38620	LINK, CONNECT	1	1						
13	1	1A8330-38650	STAY, SWITCH	1	1						
14	1	1A8330-38660	PLATE ASSY, P SWITCH	1	1						
15	1	1C6281-52320	PIN, SNAP 8	3	3						
16	1	1A7180-63550	COLLAR, 8X12X6.3	2	2						
17	1	22137-080000	WASHER, 8	1	1						
18	1	22272-000150	RING, E-15	1	1						
19	1	22487-080160	PIN, H 8X 16	2	2						
20	1	22487-080240	PIN, H 8X 24	1	1						
21	1	26016-080122	BOLT, M8X 12	2	2						
22	1	26106-080202	BOLT, M8X 20 PLATED	2	2						
23	1	26106-080252	BOLT, M8X 25 PLATED	1	1						
24	1	26106-080252	BOLT, M8X 25 PLATED	4	4						
25	1	26346-080002	NUT, M8	1	1						

Fig.79. HYDRAULIC PUMP

(A)=SA221,EU
(B)=SA424,EU
(C)=

(D)=
(E)=
(F)=

No.	Lev.	Parts No.	Description	Qty						I	R
				(A)	(B)	(C)	(D)	(E)	(F)		
1	1	1A8330-41120	PUMP ASSY, HYDRAULIC	1							
2	1	1A7882-47210	JOINT ASSY	2							
3	1	24321-000800	O-RING, 1AG80.0	1							
4	1	26366-100002	NUT, M10	2							

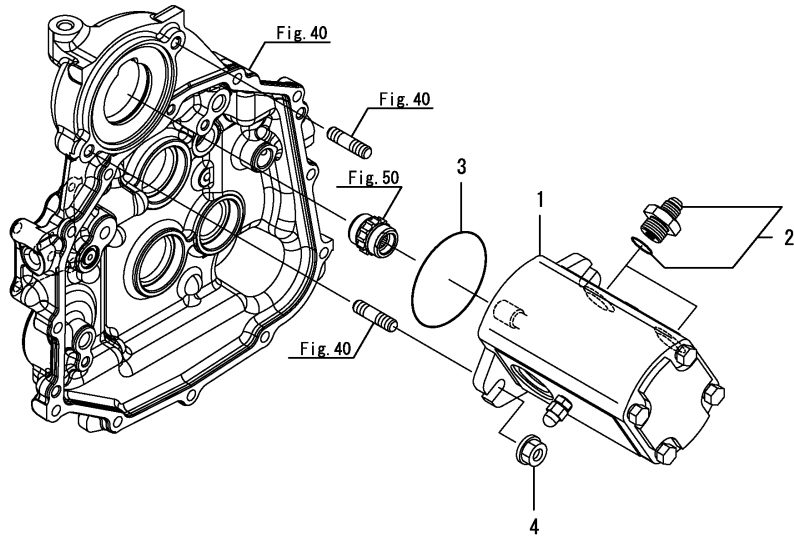


Fig.80. HYDRAULIC PUMP

(A)=SA221,EU
 (B)=SA424,EU
 (C)=

(D)=
 (E)=
 (F)=

No.	Lev.	Parts No.	Description	Q'ty						I	R
				(A)	(B)	(C)	(D)	(E)	(F)		
1	1	1A8320-41120	PUMP ASSY, HYDRAULIC		1						
2	1	1A7882-47210	JOINT ASSY		2						
3	1	24321-000800	O-RING, 1AG80.0		1						
4	1	26366-100002	NUT, M10		2						

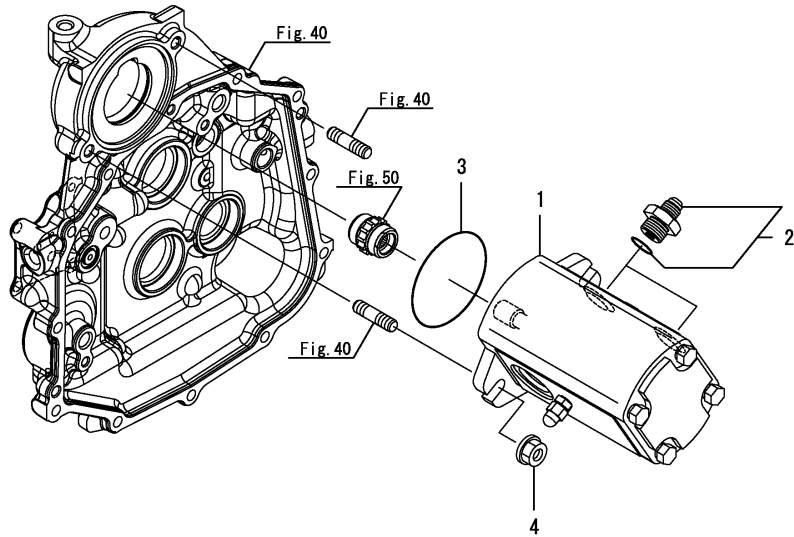
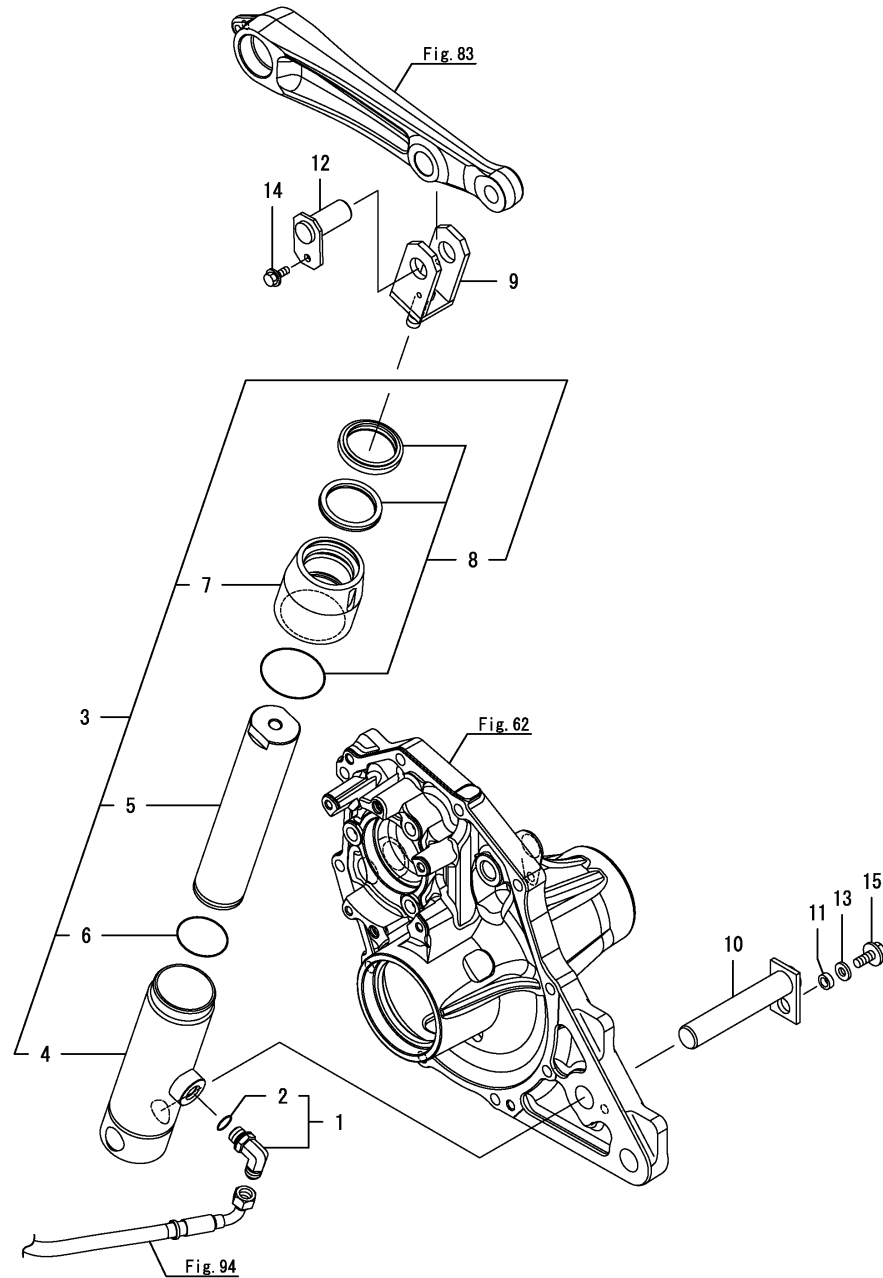


Fig.81. LIFTING CYLINDER

(A)=SA221,EU
(B)=SA424,EU
(C)=

(D)=
(E)=
(F)=

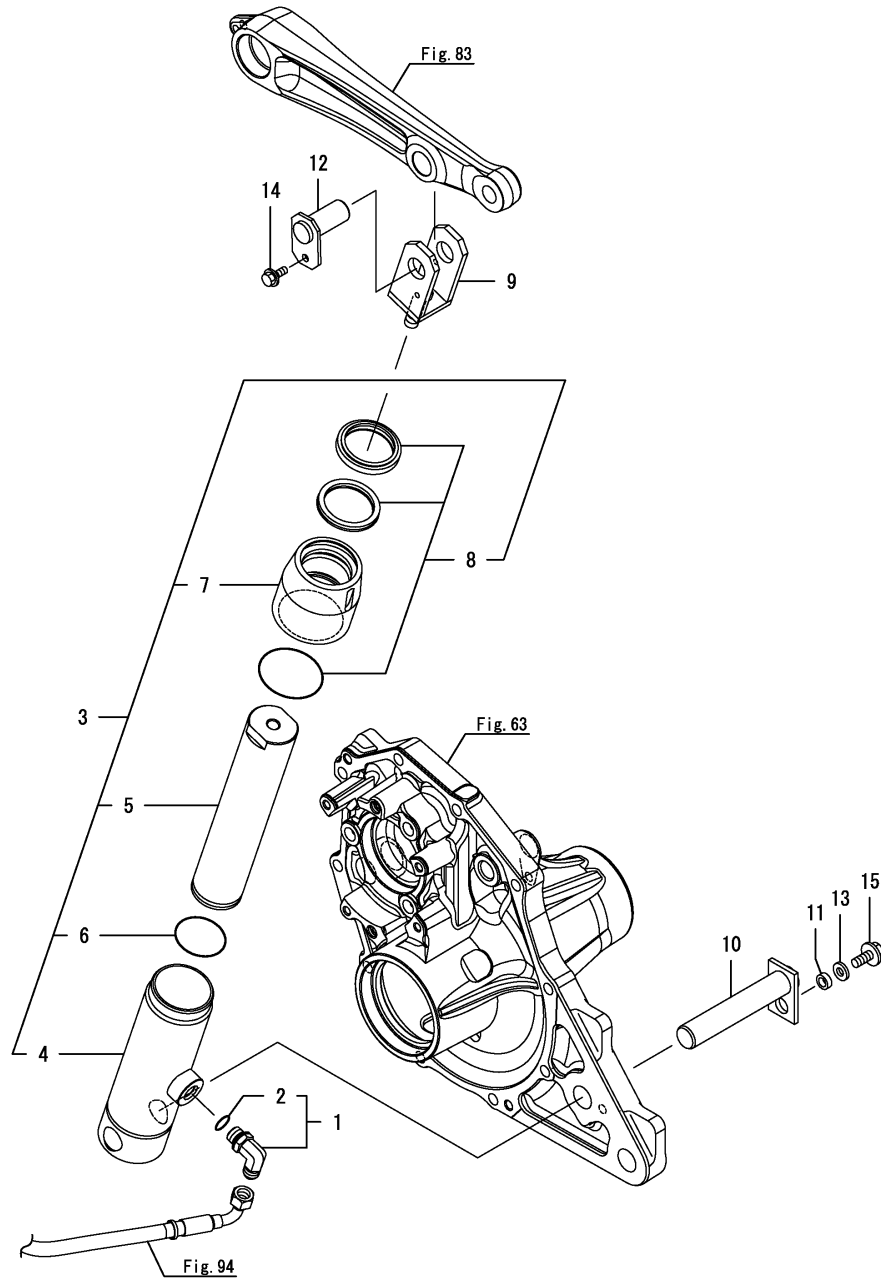


No.	Lev.	Parts No.	Description	Q'ty						I	R
				(A)	(B)	(C)	(D)	(E)	(F)		
1	1	1TN322-38910	JOINT,90SAE9/16-18	1							
2	2	1TN322-38930	PACKING, JOINT	1							
3	1	1A8330-43100	CYLINDER ASSY, LIFT	1							
4	2	1A8330-43250	CYLINDER	1							
5	2	1A8330-43260	ROD	1							
6	2	1A7880-43380	CIRCLIP	1							
7	2	1A7880-43410	BUSH, GUIDE	1							
8	2	1A7880-43500	SEAL KIT	1							
9	1	1A8330-43150	YOKE ASSY	1							
10	1	1A8330-43310	PIN ASSY	1							
11	1	1A8330-43360	COLLAR	1							
12	1	1A8330-43660	PIN ASSY	1							
13	1	22137-080000	WASHER, 8	1							
14	1	26106-060122	BOLT, M6X 12 PLATED	1							
15	1	26106-080162	BOLT, M8X 16 PLATED	1							

Fig.82. LIFTING CYLINDER

(A)=SA221,EU
(B)=SA424,EU
(C)=

(D)=
(E)=
(F)=

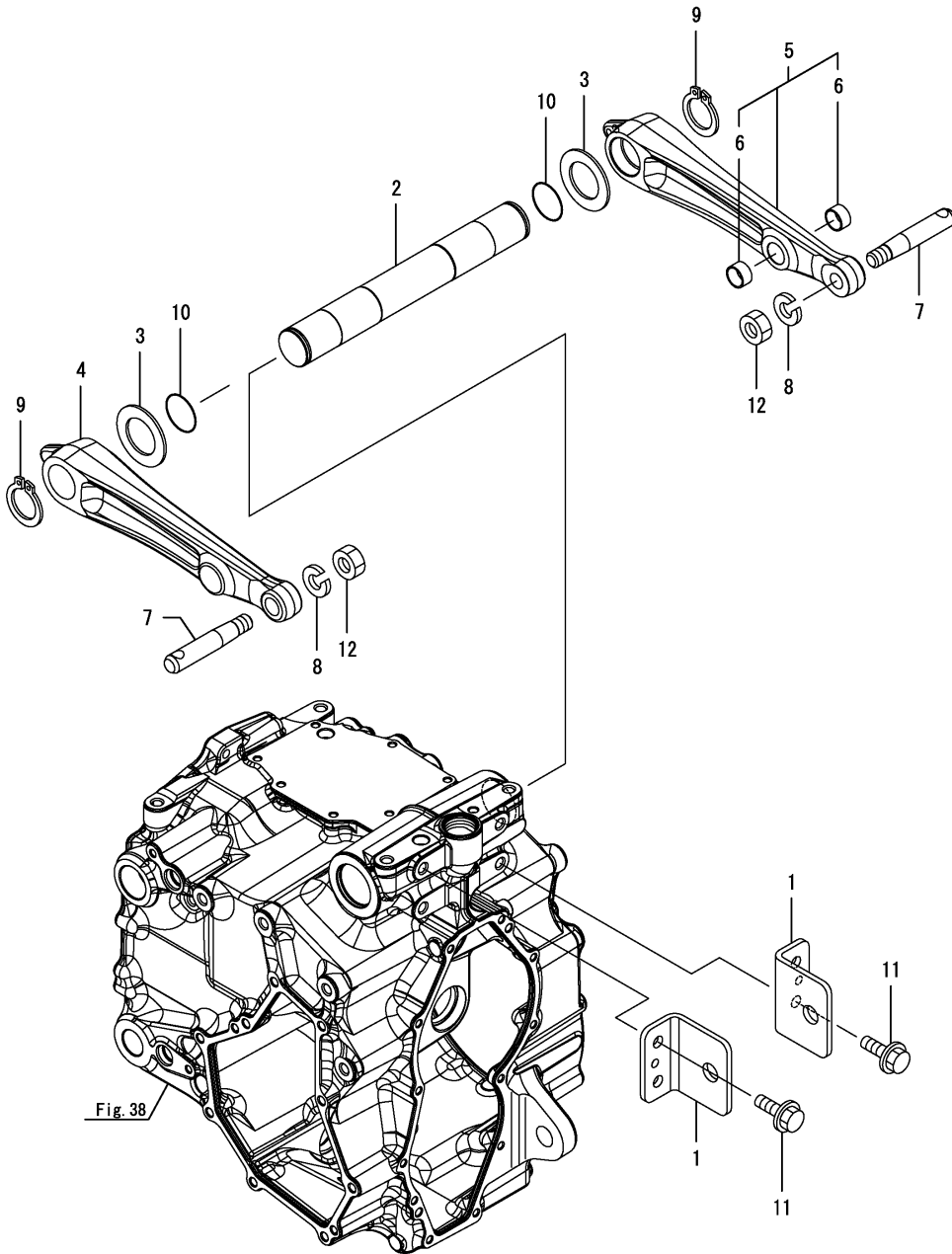


No.	Lev.	Parts No.	Description	Q'ty						I	R
				(A)	(B)	(C)	(D)	(E)	(F)		
1	1	1TN322-38910	JOINT,90SAE9/16-18		1						
2	2	1TN322-38930	PACKING, JOINT		1						
3	1	1A8320-43100	CYLINDER ASSY, LIFT		1						
4	2	1A8320-43250	CYLINDER		1						
5	2	1A8330-43260	ROD		1						
6	2	1A7880-43380	CIRCLIP		1						
7	2	1A7880-43410	BUSH, GUIDE		1						
8	2	1A7880-43500	SEAL KIT		1						
9	1	1A8330-43150	YOKE ASSY		1						
10	1	1A8330-43310	PIN ASSY		1						
11	1	1A8330-43360	COLLAR		1						
12	1	1A8330-43660	PIN ASSY		1						
13	1	22137-080000	WASHER, 8		1						
14	1	26106-060122	BOLT, M6X 12 PLATED		1						
15	1	26106-080162	BOLT, M8X 16 PLATED		1						

Fig.83. LIFT ARM

(A)=SA221,EU
(B)=SA424,EU
(C)=

(D)=
(E)=
(F)=



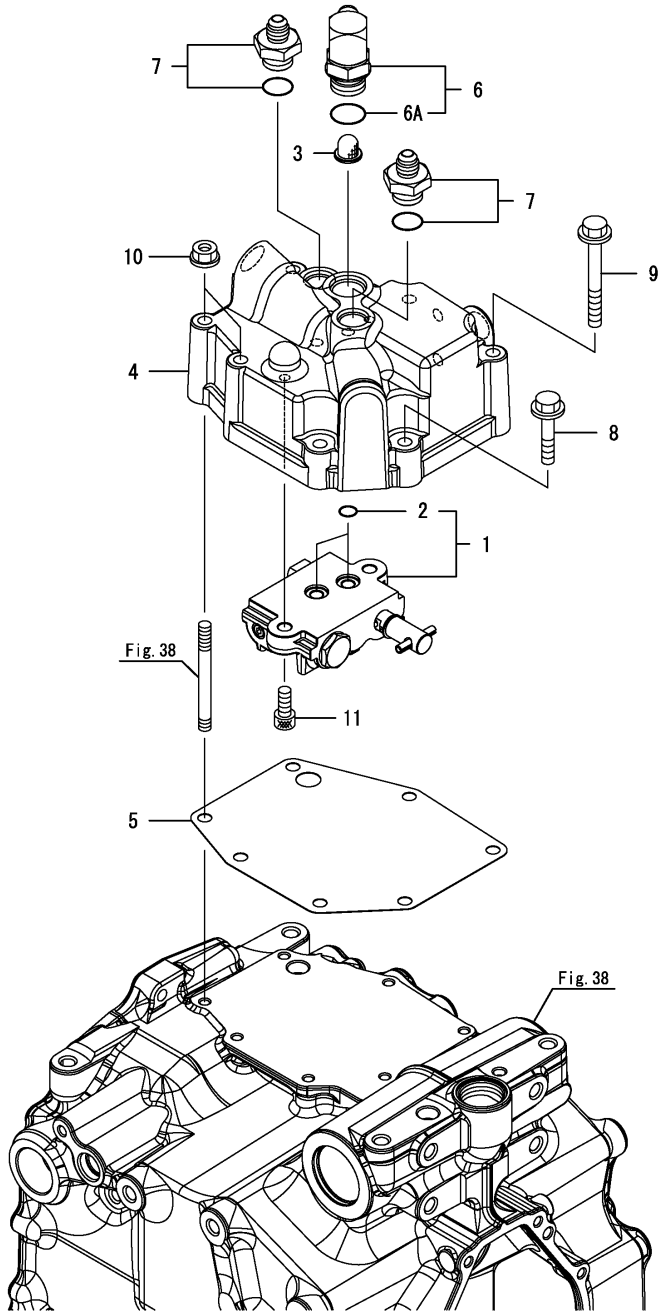
No.	Lev.	Parts No.	Description	Q'ty						I	R
				(A)	(B)	(C)	(D)	(E)	(F)		
1	1	1A8330-42810	HINGE, LINK	2	2						
2	1	1A8330-44210	SHAFT, LIFT	1	1						
3	1	1A8330-44260	SPACER	2	2						
4	1	1A8330-44410	ARM, LIFT L	1	1						
5	1	1A8330-44440	ARM KIT, LIFT R	1	1						
6	2	24550-020120	BUSH, 20X12	2	2						
7	1	194130-44480	PIN, LIFT ARM	2	2						
8	1	22217-160000	WASHER, SPRING 16	2	2						
9	1	22242-000400	RING, 40	2	2						
10	1	24311-000400	O-RING, 1AP40.0	2	2						
11	1	26106-120252	BOLT, M12X 25 PLATED	4	4						
12	1	26736-160002	NUT, M16	2	2						

Fig. 38

Fig.84. CONTROL VALVE

(A)=SA221,EU
(B)=SA424,EU
(C)=

(D)=
(E)=
(F)=

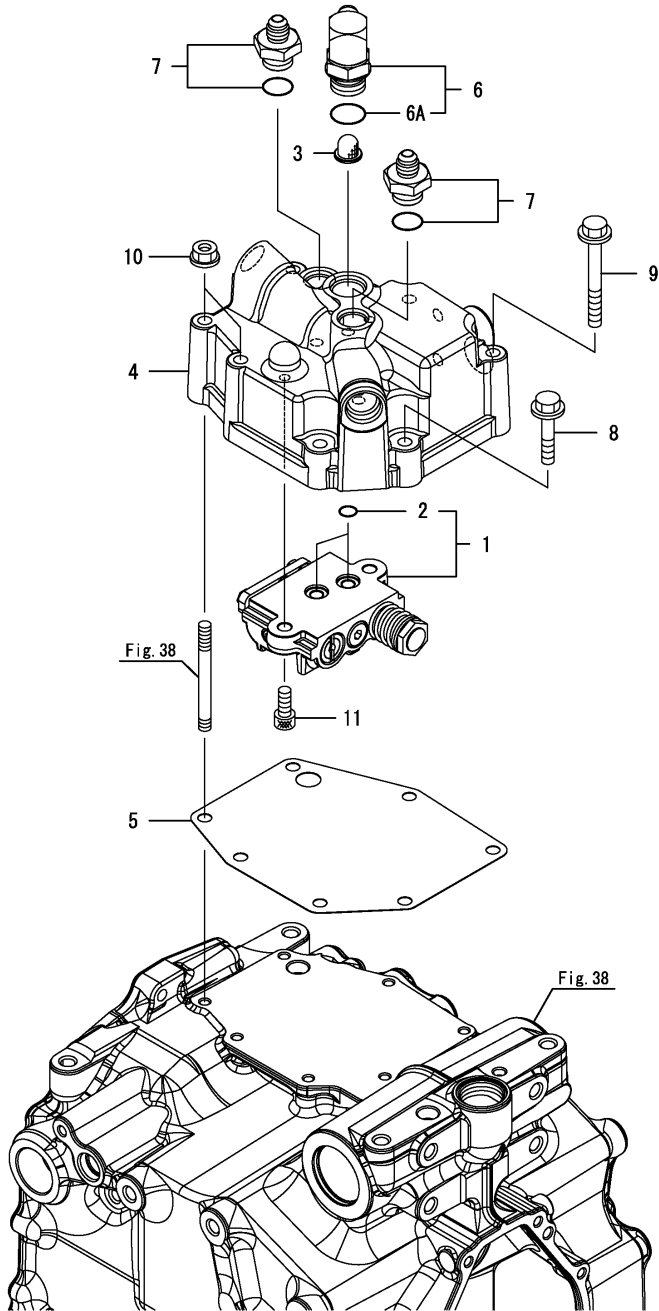


No.	Lev.	Parts No.	Description	Q'ty						I	R
				(A)	(B)	(C)	(D)	(E)	(F)		
1	1	168234-00010	VALVE, CONTROL SCT1	1							
2	2	24315-000110	O-RING, 1BP11.0	2							
3	1	194556-42220	STRAINER, A	1							
4	1	1A8330-45210	CASE, CONTROL VALVE	1							
4-1	1	1A8330-45211	CASE, CONTROL VALVE	1							N
(A)=F500031)											
5	1	1A8330-45260	GASKET,CONTROL VALVE	1							
6	1	1A8330-46360	JOINT,7/8UNF-9/16UNF	1							
6A	2	24365-091000	O-RING, 1BAS910	1							
7	1	1A7882-47210	JOINT ASSY	2							
8	1	26106-080402	BOLT, M8X 40 PLATED	2							
9	1	26106-080702	BOLT, M8X 70 PLATED	3							
10	1	26366-080002	NUT, M8	2							
11	1	26450-080202	BOLT, M8X 20	2							

Fig.85. CONTROL VALVE

(A)=SA221,EU
 (B)=SA424,EU
 (C)=

(D)=
 (E)=
 (F)=



No.	Lev.	Parts No.	Description	Q'ty						I	R	
				(A)	(B)	(C)	(D)	(E)	(F)			
1	1	168234-00020	VALVE, CONTROL SCT2		1							
2	2	24315-000110	O-RING, 1BP11.0		2							
3	1	194556-42220	STRAINER, A		1							
4	1	1A8320-45210	CASE, CONTROL VALVE		1							
4-1	1	1A8320-45211 (B=F500026)	CASE, CONTROL VALVE		1							N
5	1	1A8330-45260	GASKET,CONTROL VALVE		1							
6	1	1A8330-46360	JOINT,7/8UNF-9/16UNF		1							
6A	2	24365-091000	O-RING, 1BAS910		1							
7	1	1A7882-47210	JOINT ASSY		2							
8	1	26106-080402	BOLT, M8X 40 PLATED		2							
9	1	26106-080702	BOLT, M8X 70 PLATED		3							
10	1	26366-080002	NUT, M8		2							
11	1	26450-080202	BOLT, M8X 20		2							

Fig.86. STOP VALVE

(A)=SA221,EU
 (B)=SA424,EU
 (C)=

(D)=
 (E)=
 (F)=

No.	Lev.	Parts No.	Description	Q'ty						I	R
				(A)	(B)	(C)	(D)	(E)	(F)		
1	1	194550-46300	VALVE, STOP	1	1						
2	1	1A8330-46620	BOLT, STOP	1	1						
3	1	194312-46630	HOLDER, VALVE	1	1						
4	1	22117-080000	WASHER, 8	1	1						
5	1	22351-040012	PIN, SPRING 4.0X12	1	1						
6	1	24311-000120	O-RING, 1AP12.0	1	1						
7	1	24315-000090	O-RING, 1BP9.0	1	1						

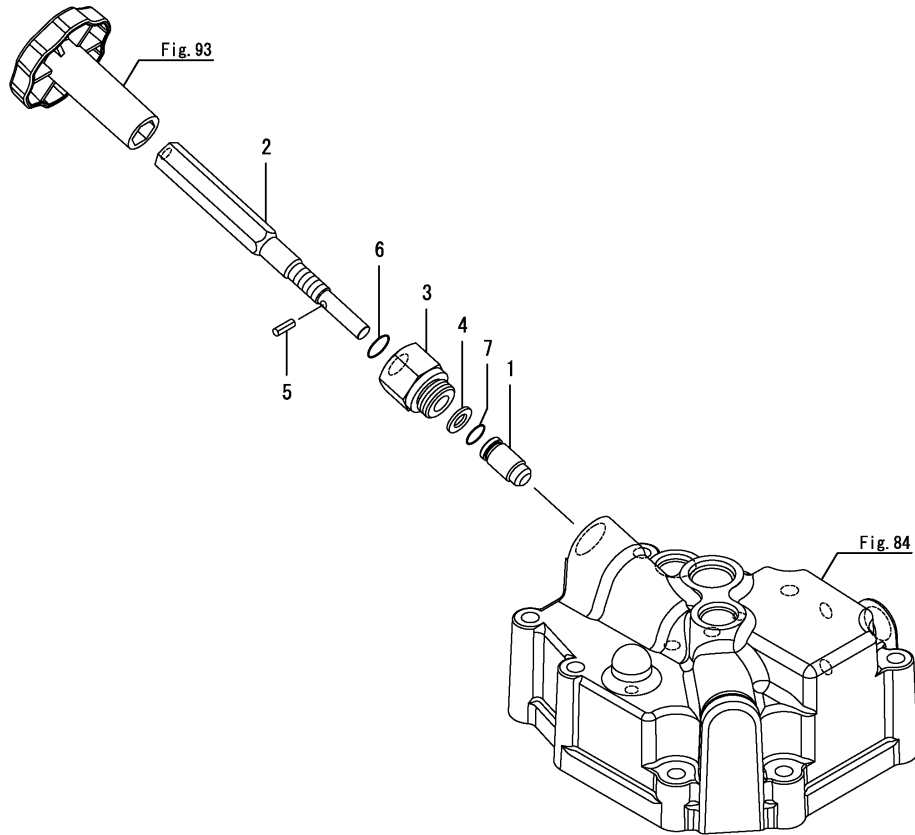
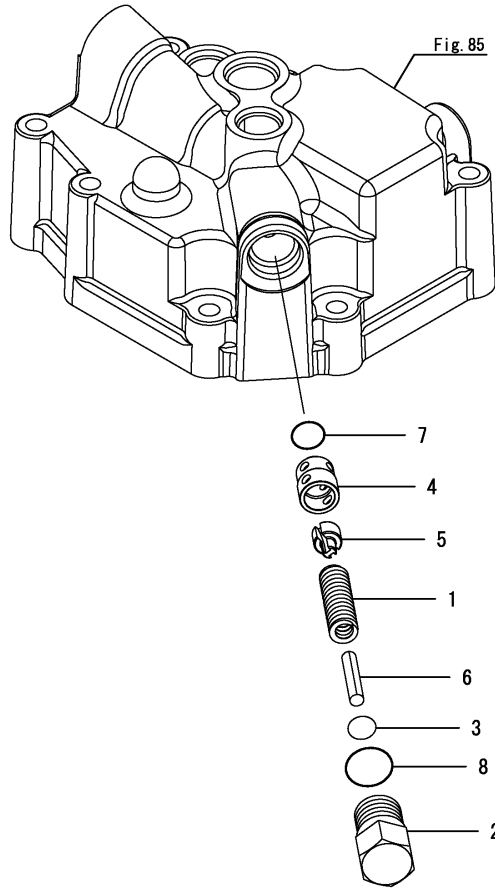


Fig.87. SAFETY VALVE

(A)=SA221,EU
(B)=SA424,EU
(C)=

(D)=
(E)=
(F)=

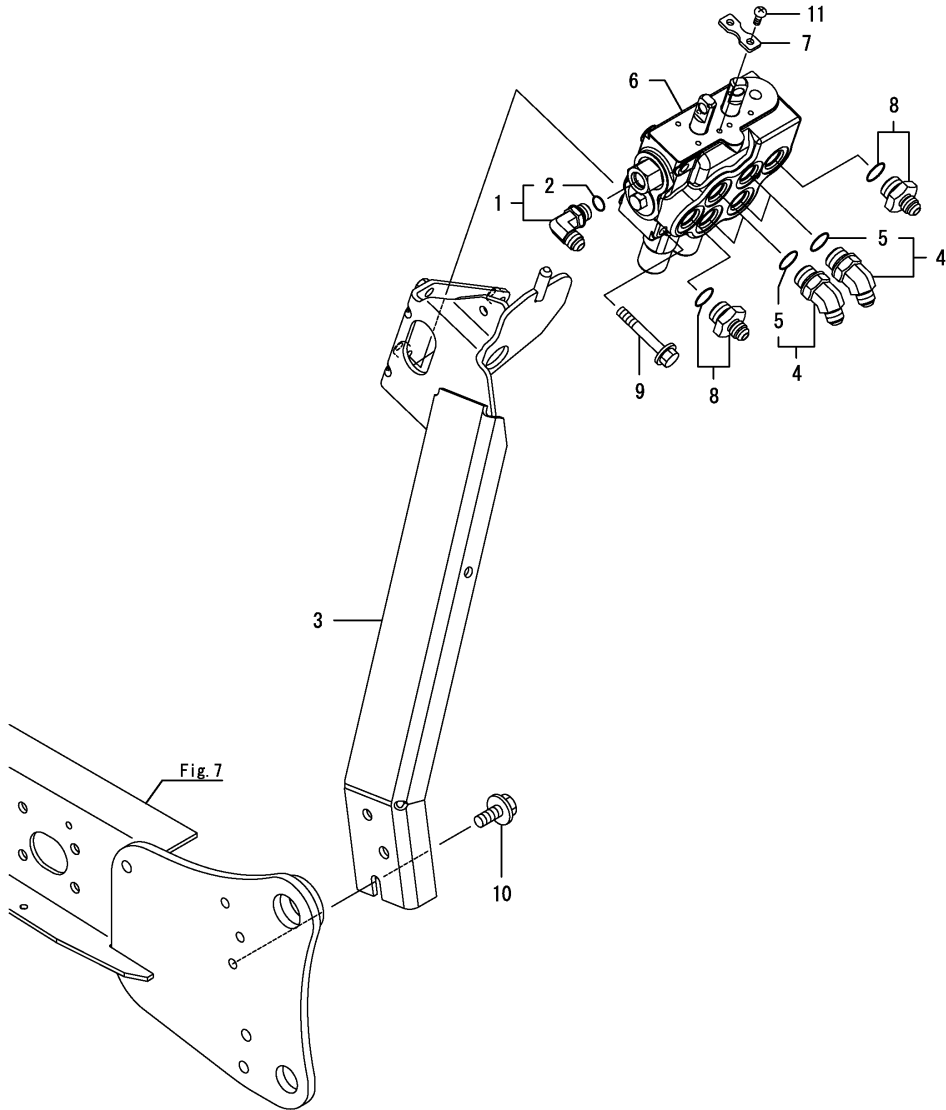


No.	Lev.	Parts No.	Description	Q'ty						I	R
				(A)	(B)	(C)	(D)	(E)	(F)		
1	1	1A7680-45320	SPRING, SAFETY VALVE		1						
2	1	1A7680-45370	PLUG, SAFETY VALVE		1						
3	1	198220-46400	SHIM SET, SAFETY		1						
4	1	1A7680-46410	SEAT, SAFETY VALVE		1						
5	1	194640-46420	VALVE, POPPET		1						
6	1	22351-060032	PIN, SPRING 6.0X32		1						
7	1	24315-000120	O-RING, 1BP12.0		1						
8	1	24315-000180	O-RING, 1BP18.0		1						

Fig.88. S.C.V.

(A)=SA221,EU
(B)=SA424,EU
(C)=

(D)=
(E)=
(F)=



No.	Lev.	Parts No.	Description	Q'ty						I	R
				(A)	(B)	(C)	(D)	(E)	(F)		
1	1	1TN322-38910	JOINT,90SAE9/16-18	1	1						
2	2	1TN322-38930	PACKING, JOINT	1	1						
3	1	1A8330-46000	STAY ASSY, SCV VALVE	1	1						
4	1	1A8330-46070	JOINT,45 3/4-16	4	4						
5	2	24361-090800	PACKING, AS 908	4	4						
6	1	1A8330-46600	VALVE ASSY, LOADER	1	1						
7	1	1A8330-46610	PLATE	1	1						
8	1	1A7882-47210	JOINT ASSY	2	2						
9	1	26106-080602	BOLT, M8X 60 PLATED	3	3						
10	1	26106-100202	BOLT, M10X 20 PLATED	3	3						
11	1	26557-050122	SCREW, M5X12	2	2						

Fig.89. BREATHER

(A)=SA221,EU
(B)=SA424,EU
(C)=

(D)=
(E)=
(F)=

No.	Lev.	Parts No.	Description	Q'ty						I	R
				(A)	(B)	(C)	(D)	(E)	(F)		
1	1	23065-090450	PIPE, 9X 450	1	1						
2	1	29622-250001	BAND, RF250	1	1						

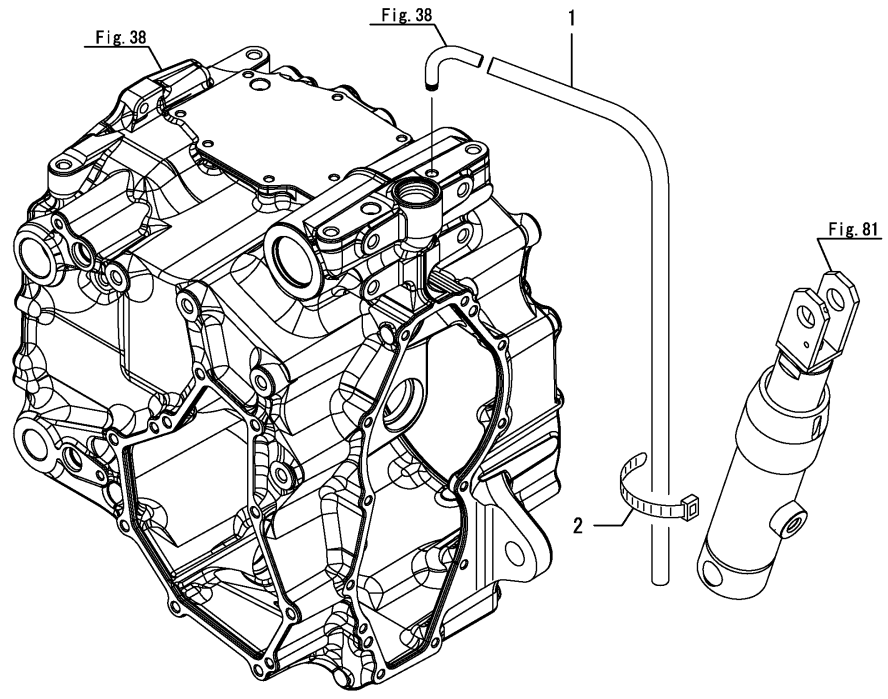
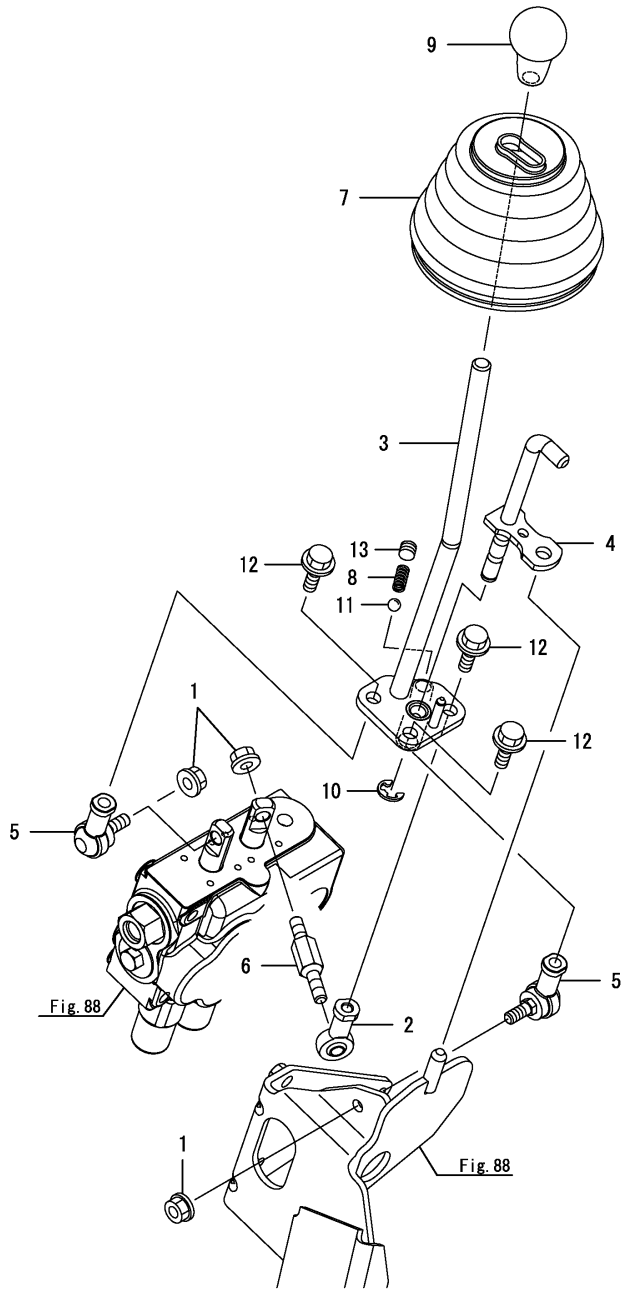


Fig.90. S.C.V. LEVER

(A)=SA221,EU
(B)=SA424,EU
(C)=

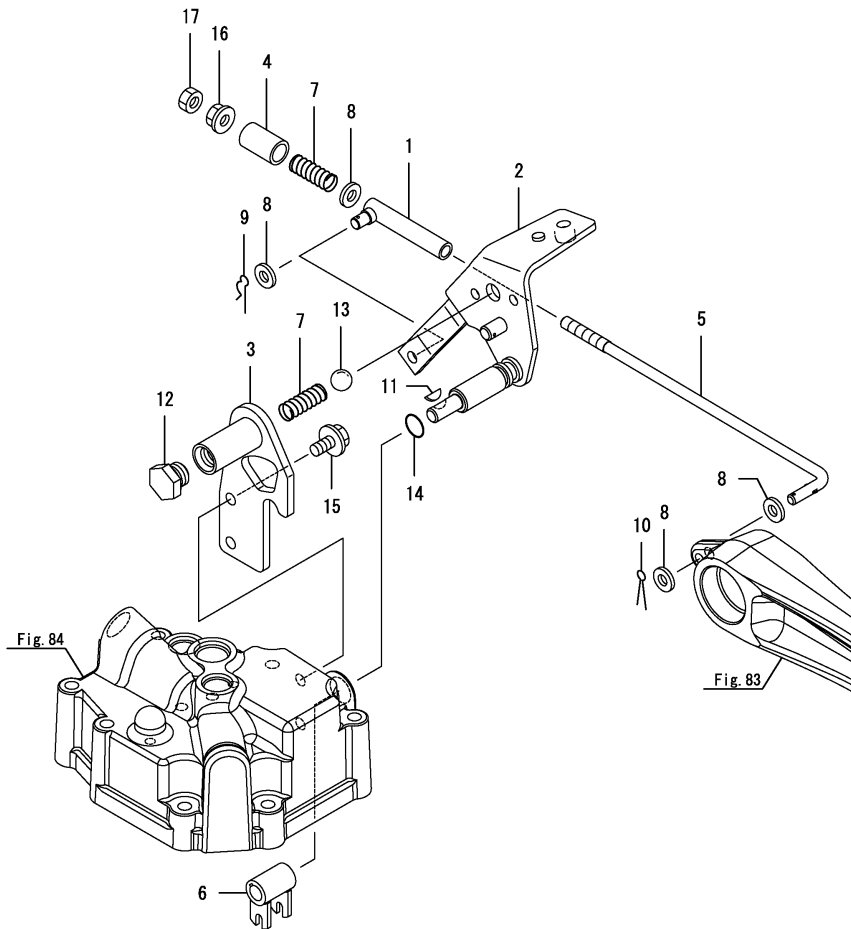
(D)=
(E)=
(F)=



No.	Lev.	Parts No.	Description	Q'ty						I	R
				(A)	(B)	(C)	(D)	(E)	(F)		
1	1	194990-22140	NUT, M8	3	3						
2	1	198164-27970	END, ROD 8R	1	1						
3	1	1A8330-46451	LEVER ASSY, SCV	1	1						
4	1	1A8330-46501	PIN ASSY, LOCK	1	1						
5	1	172122-46590	ELBOW, 8	2	2						
6	1	1A7880-47750	BOLT, SCV LEVER	1	1						
7	1	1A7880-47950	BOOT, SCV LEVER	1	1						
8	1	1E6150-56040	SPRING, FORK	1	1						
9	1	194990-85561	KNOB, HIGH-LOW LEVER	1	1						
10	1	22272-000080	RING, E- 8	1	1						
11	1	24190-100003	BALL, STEEL 5/16	1	1						
12	1	26106-080162	BOLT, M8X 16 PLATED	3	3						
13	1	26911-100102	SCREW, M10X10	1	1						

(A)=SA221,EU
 (B)=SA424,EU
 (C)=

(D)=
 (E)=
 (F)=



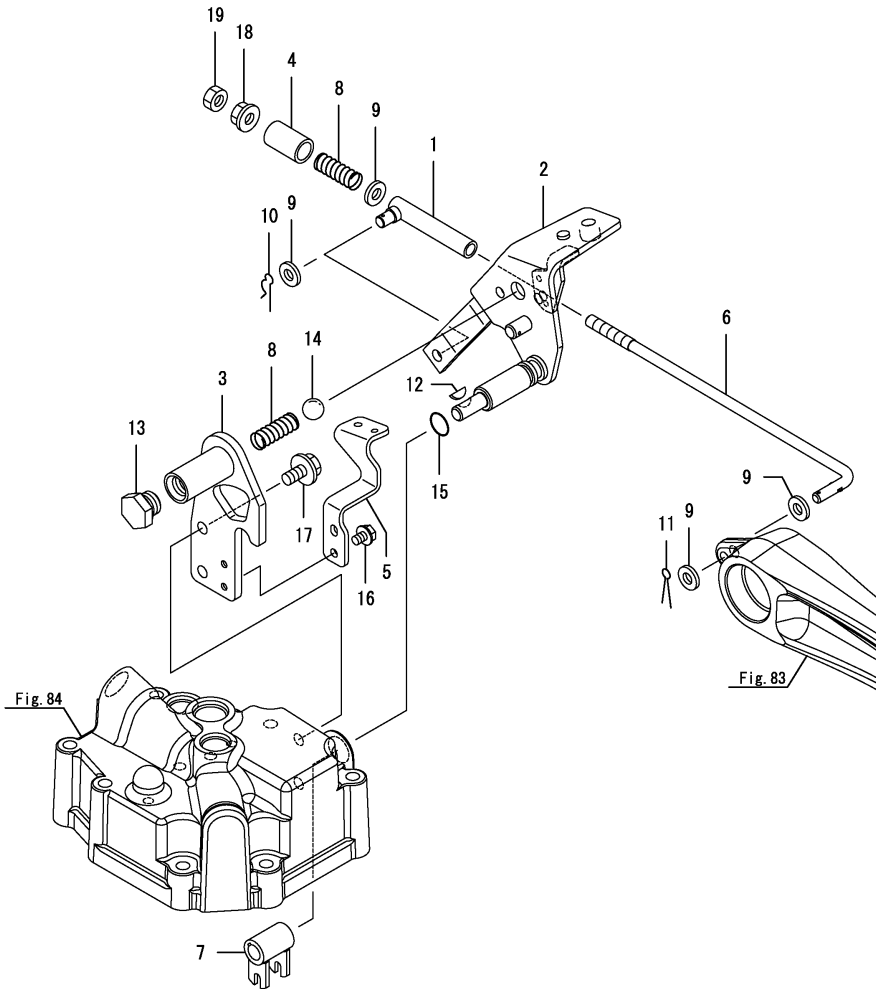
No.	Lev.	Parts No.	Description	Q'ty						I	R
				(A)	(B)	(C)	(D)	(E)	(F)		
1	1	1A8330-47050	ADJUSTER ASSY	1							
2	1	1A8330-47250	SHAFT ASSY, LEVER	1							
3	1	1A8330-47310	PLATE ASSY	1							
4	1	1A8330-47370	COLLAR	1							
5	1	1A8330-47540	ROD, FEEDBACK	1							
6	1	1A8330-47550	ARM, SELECT CONTROL	1							
7	1	1A8330-47610	SPRING	2							
8	1	22137-080000	WASHER, 8	4							
9	1	22372-080000	PIN, SNAP 8	1							
10	1	22417-160160	PIN, COTTER 1.6X16	1							
11	1	22522-030130	KEY, WOODRUFF 3X13	1							
12	1	23887-160002	PLUG, 16	1							
13	1	24190-170001	BALL, STEEL 17/32	1							
14	1	24311-000125	O-RING, 1AP12.5	1							
15	1	26106-080162	BOLT, M8X 16 PLATED	2							
16	1	26366-080002	NUT, M8	1							
17	1	26716-080002	NUT, M8	1							

Remarks
 * This figure is applicable to [(A)=F500001] or previous machines.
 Please refer to Fig.139 since above-mentioned Engine Serial.

Fig.139. (91A)HYDRAULIC CONTROL

(A)=SA221,EU
(B)=SA424,EU
(C)=

(D)=
(E)=
(F)=



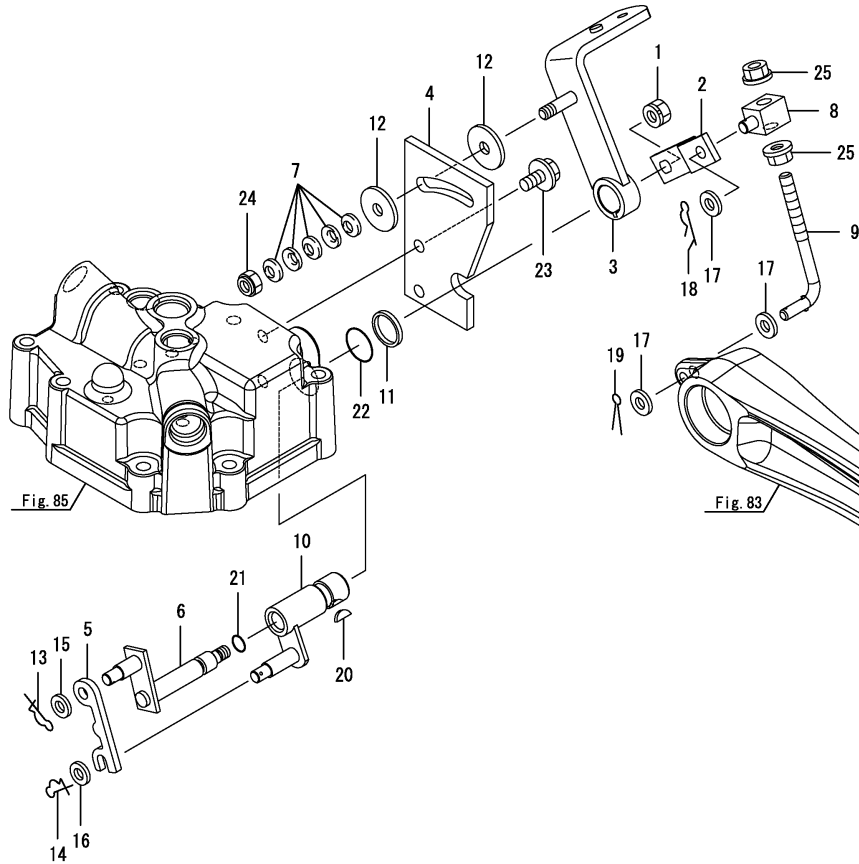
No.	Lev.	Parts No.	Description	Q'ty						I	R
				(A)	(B)	(C)	(D)	(E)	(F)		
1	1	1A8330-47050	ADJUSTER ASSY	1							
2	1	1A8332-47250	SHAFT ASSY, S LEVER	1							
3	1	1A8330-47311	PLATE ASSY	1							
4	1	1A8330-47370	COLLAR	1							
5	1	1A8332-47400	STAY, SWITCH	1							
6	1	1A8330-47540	ROD, FEEDBACK	1							
7	1	1A8330-47550	ARM, SELECT CONTROL	1							
8	1	1A8330-47610	SPRING	2							
9	1	22137-080000	WASHER, 8	4							
10	1	22372-080000	PIN, SNAP 8	1							
11	1	22417-160160	PIN, COTTER 1.6X16	1							
12	1	22522-030130	KEY, WOODRUFF 3X13	1							
13	1	23887-160002	PLUG, 16	1							
14	1	24190-170001	BALL, STEEL 17/32	1							
15	1	24311-000125	O-RING, 1AP12.5	1							
16	1	26106-060082	BOLT, M6X 8 PLATED	2							
17	1	26106-080162	BOLT, M8X 16 PLATED	2							
18	1	26366-080002	NUT, M8	1							
19	1	26716-080002	NUT, M8	1							

Remarks

* This figure is applicable to [(A)=F500002] or following machines.
Please refer to Fig.91 before above-mentioned Engine Serial.

(A)=SA221,EU
 (B)=SA424,EU
 (C)=

(D)=
 (E)=
 (F)=



No.	Lev.	Parts No.	Description	Q'ty						I	R
				(A)	(B)	(C)	(D)	(E)	(F)		
1	1	194990-22050	NUT, M8		1						
2	1	1A8320-47210	ARM, FEEDBACK		1						
3	1	1A8320-47250	ARM ASSY, CONTROL		1						
4	1	1A8320-47310	PLATE, CONTROL		1						
5	1	1A8320-47420	PLATE, CONTROL		1						
6	1	1A8320-47450	SHAFT ASSY, FEEDBACK		1						
7	1	1A6640-47520	SPRING, 8		5						
8	1	194208-47530	ADJUSTER		1						
9	1	1A8320-47540	ROD, FEEDBACK		1						
10	1	1A8320-47550	SHAFT ASSY, LEVER		1						
11	1	1A8320-47610	COLLAR, LEVER		1						
12	1	1A8320-47780	PLATE, FRICTION		2						
13	1	1C6281-52320	PIN, SNAP 8		1						
14	1	1C6281-52320	PIN, SNAP 8		1						
15	1	22117-080000	WASHER, 8		1						
16	1	22117-080000	WASHER, 8		1						
17	1	22137-080000	WASHER, 8		3						
18	1	22372-080000	PIN, SNAP 8		1						
19	1	22417-160160	PIN, COTTER 1.6X16		1						
20	1	22522-030130	KEY, WOODRUFF 3X13		1						
21	1	24311-000090	O-RING, 1AP9.0		1						
22	1	24311-000200	O-RING, 1AP20.0		1						
23	1	26106-080162	BOLT, M8X 16 PLATED		2						
24	1	26346-080002	NUT, M8		1						
25	1	26366-080002	NUT, M8		2						

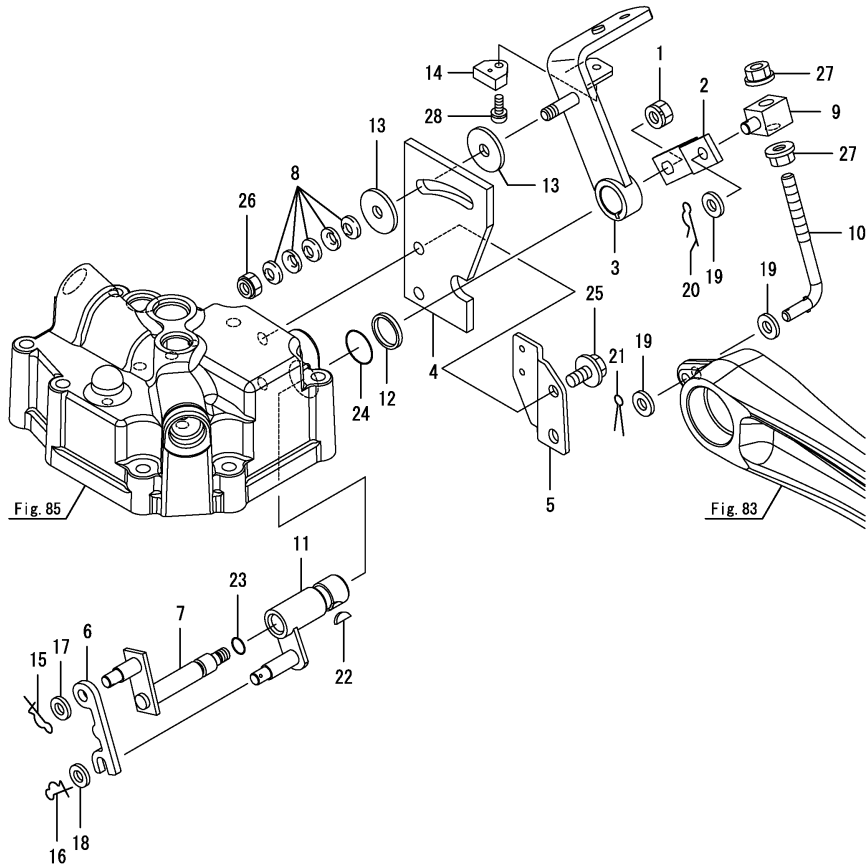
Remarks

* This figure is applicable to [(B)=F500000] or previous machines.
 Please refer to Fig.140 since above-mentioned Engine Serial.

Fig.140. (92A)HYDRAULIC CONTROL

(A)=SA221,EU
(B)=SA424,EU
(C)=

(D)=
(E)=
(F)=



No.	Lev.	Parts No.	Description	Q'ty						I	R
				(A)	(B)	(C)	(D)	(E)	(F)		
1	1	194990-22050	NUT, M8		1						
2	1	1A8320-47210	ARM, FEEDBACK		1						
3	1	1A8322-47250	ARM ASSY, P CONTROL		1						
4	1	1A8320-47310	PLATE, CONTROL		1						
5	1	1A8322-47350	STAY, LIFT LEVER SW		1						
6	1	1A8320-47420	PLATE, CONTROL		1						
7	1	1A8320-47450	SHAFT ASSY, FEEDBACK		1						
8	1	1A6640-47520	SPRING, 8		5						
9	1	194208-47530	ADJUSTER		1						
10	1	1A8320-47540	ROD, FEEDBACK		1						
11	1	1A8320-47550	SHAFT ASSY, LEVER		1						
12	1	1A8320-47610	COLLAR, LEVER		1						
13	1	1A8320-47780	PLATE, FRICTION		2						
14	1	1A8060-52170	MAGNET, INTERLOCK		1						
15	1	1C6281-52320	PIN, SNAP 8		1						
16	1	1C6281-52320	PIN, SNAP 8		1						
17	1	22117-080000	WASHER, 8		1						
18	1	22117-080000	WASHER, 8		1						
19	1	22137-080000	WASHER, 8		3						
20	1	22372-080000	PIN, SNAP 8		1						
21	1	22417-160160	PIN, COTTER 1.6X16		1						
22	1	22522-030130	KEY, WOODRUFF 3X13		1						
23	1	24311-000090	O-RING, 1AP9.0		1						
24	1	24311-000200	O-RING, 1AP20.0		1						
25	1	26106-080202	BOLT, M8X 20 PLATED		2						
26	1	26346-080002	NUT, M8		1						
27	1	26366-080002	NUT, M8		2						
28	1	26587-050122	SCREW, M5X12		1						

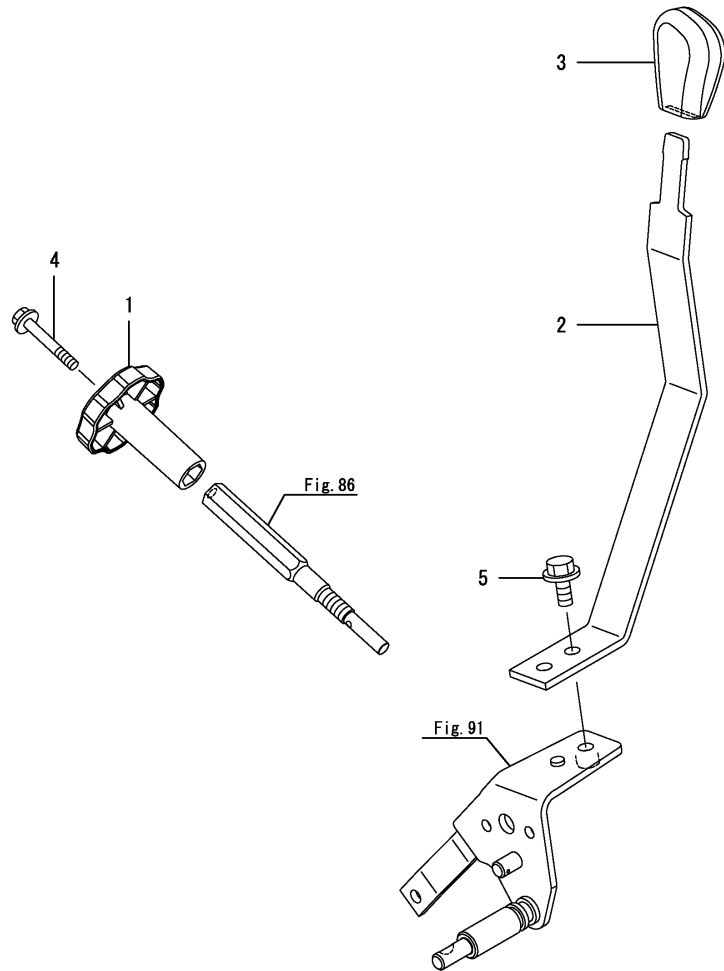
Remarks

* This figure is applicable to [(B)=F500001] or following machines.
Please refer to Fig.92 before above-mentioned Engine Serial.

Fig.93. HYDRAULIC CONTROL LEVER

(A)=SA221,EU
(B)=SA424,EU
(C)=

(D)=
(E)=
(F)=



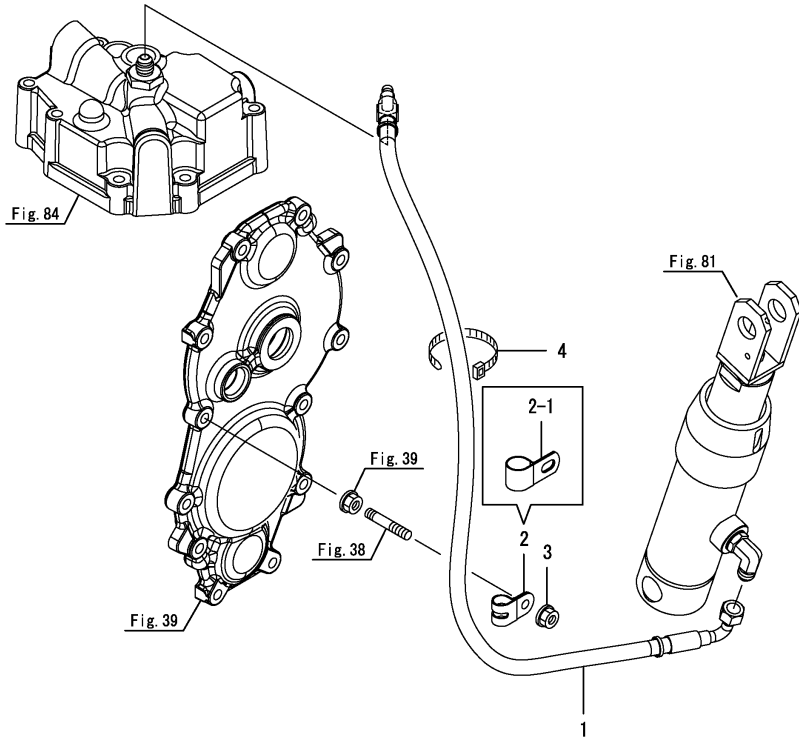
No.	Lev.	Parts No.	Description	Q'ty						I	R
				(A)	(B)	(C)	(D)	(E)	(F)		
1	1	1A8250-46640	KNOB, STOP VALVE	1	1						
2	1	1A8330-47350	LEVER, LIFT	1	1						
2-1	1	1A8332-47350	LEVER, LIFT	1	1						N
3	1	(A=F500002) 198200-47810	(B=F500001) KNOB, BLACK	1	1						
4	1	26106-060402	BOLT, M6X 40 PLATED	1	1						
5	1	26106-080162	BOLT, M8X 16 PLATED	1	1						

Fig.94. HYDRAULIC PIPING(1)

(A)=SA221,EU
(B)=SA424,EU
(C)=

(D)=
(E)=
(F)=

No.	Lev.	Parts No.	Description	Q'ty						I	R
				(A)	(B)	(C)	(D)	(E)	(F)		
1	1	1A8330-48161	HOSE, HYD CYLINDER	1	1						
1-1	1	1A8330-48162	HOSE, HYD CYLINDER	1	1					F	1
		(A=F500002) (B=F500001)									
2	1	1E8945-85480	CLAMP, 14	1	1						
2-1	1	1E6213-83410	CLIP, HARNESS 18	1	1					F	1
		(A=F500002) (B=F500001)									
3	1	26366-080002	NUT, M8	1	1						
4	1	29622-250001	BAND, RF250	1	1						



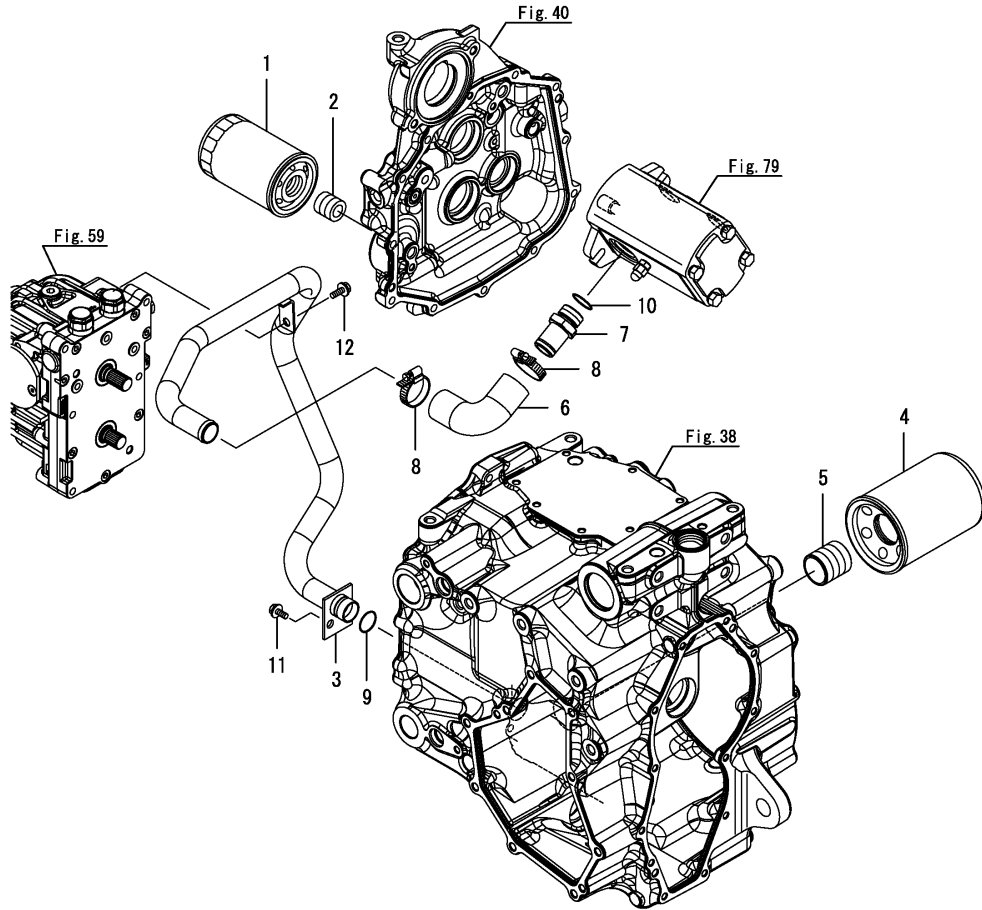
Remarks

(1)Interchangeable by simultaneous replacement with No.1-1 & 2-1.

Fig.95. HYDRAULIC PIPING(2)

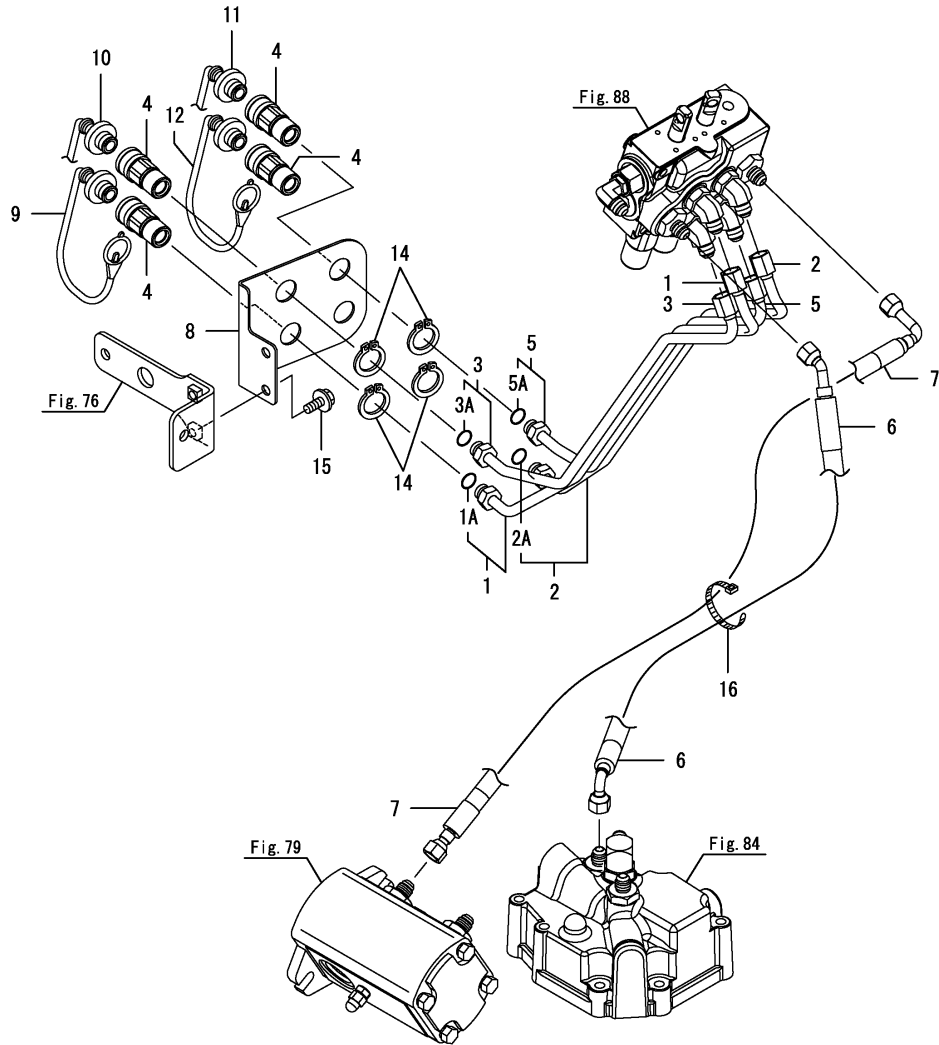
(A)=SA221,EU
(B)=SA424,EU
(C)=

(D)=
(E)=
(F)=



No.	Lev.	Parts No.	Description	Q'ty						I	R
				(A)	(B)	(C)	(D)	(E)	(F)		
1	1	198167-24900	FILTER, OIL	1	1						
2	1	198167-24950	JOINT, STRAINER	1	1						
3	1	1A8330-48210	PIPE ASSY, PRESSURE	1	1						
4	1	198119-48310	FILTER	1	1						
5	1	1A8330-48330	JOINT, FILTER	1	1						
6	1	1A8330-48410	HOSE, RUBBER	1	1						
7	1	1A8330-48570	JOINT, SUCTION	1	1						
8	1	23000-035000	CLAMP, 35	2	2						
9	1	24311-000220	O-RING, 1AP22.0	1	1						
9-1	1	24315-000220	O-RING, 1BP22.0	1	1						N
		(A=F500002) (B=F200234)									
10	1	24311-350220	O-RING, 1AP22A	1	1						
11	1	26106-080162	BOLT, M8X 16 PLATED	1	1						
12	1	26106-080202	BOLT, M8X 20 PLATED	1	1						

Fig.96. S.C.V. PIPING(1)



(A)=SA221,EU
(B)=SA424,EU
(C)=

(D)=
(E)=
(F)=

No.	Lev.	Parts No.	Description	Q'ty						I	R
				(A)	(B)	(C)	(D)	(E)	(F)		
1	1	1A8330-46550	PIPE UNIT, HP SCV A1	1	1						
1A	2	194850-49290	PACKING, 6-1	1	1						
2	1	1A8330-46560	PIPE UNIT, HP SCV A2	1	1						
2A	2	194850-49290	PACKING, 6-1	1	1						
3	1	1A8330-46570	PIPE UNIT, HP SCV B1	1	1						
3A	2	194850-49290	PACKING, 6-1	1	1						
4	1	198223-46250	COUPLER, QUICK	4	4						
5	1	1A8330-46580	PIPE UNIT, HP SCV B2	1	1						
5A	2	194850-49290	PACKING, 6-1	1	1						
6	1	1A8330-46310	HOSE, LOW PRESSURE	1	1						
6-1	1	1A8330-46311	HOSE, LP SCV T	1	1						N
		(A=F500002) (B=F500001)									
7	1	1A8330-46320	HOSE, HIGH PRESSURE	1	1						
7-1	1	1A8330-46321	HOSE, HP SCV P	1	1						N
		(A=F500002) (B=F500001)									
8	1	1A8330-46350	STAY, QUICK COUPLER	1	1						
9	1	1A7880-47550	PLUG, DUST RED	1	1						
10	1	1A7880-47560	PLUG, DUST BLUE	1	1						
11	1	1A7880-47570	PLUG, DUST YELLOW	1	1						
12	1	1A7880-47580	PLUG, DUST GREEN	1	1						
14	1	22242-000220	RING, 22	4	4						
15	1	26106-080162	BOLT, M8X 16 PLATED	2	2						
16	1	29622-250001	BAND, RF250	1	1						

Fig.97. S.C.V. PIPING(2)

(A)=SA221,EU
(B)=SA424,EU
(C)=

(D)=
(E)=
(F)=

No.	Lev.	Parts No.	Description	Q'ty						I	R
				(A)	(B)	(C)	(D)	(E)	(F)		
1	1	1A8330-46330	HOSE, HP SCV C	1	1						
1-1	1	1A8330-46331	HOSE, HP SCV C	1	1						N
		(A=F500002)	(B=F500001)								

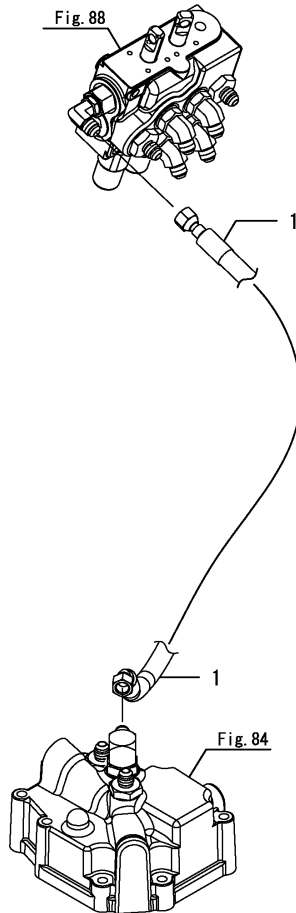
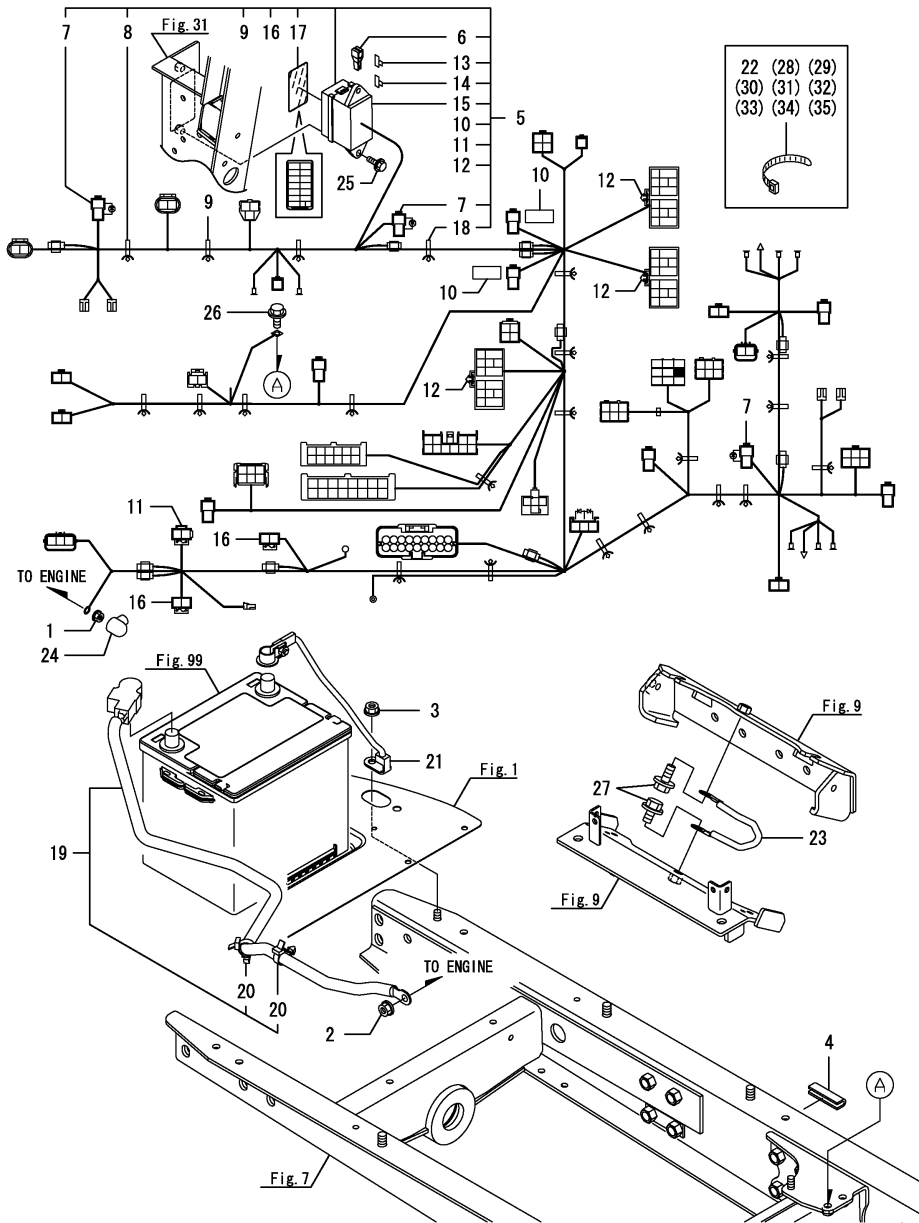


Fig.98. WIRE HARNESS

(A)=SA221,EU
(B)=SA424,EU
(C)=

(D)=
(E)=
(F)=



No.	Lev.	Parts No.	Description	Q'ty						I	R
				(A)	(B)	(C)	(D)	(E)	(F)		
1	1	194990-22130	NUT, M6	1	1						
2	1	194990-22140	NUT, M8	1	1						
3	1	194990-22140	NUT, M8	1	1						
4	1	195616-24930	TRIM	1	1						
5	1	1A8330-51152	HARNESS ASSY, A	1	1						
6	2	1C7200-06250	PULLER, FUSE	1	1						
7	2	1A7500-51130	DIODE, 3.0A	3	3						
8	2	1A7500-51160	CLIP, HARNESS	10	10						
9	2	1A7500-51170	CLIP, HARNESS	2	2						
10	2	1A6382-51510	RESISTANCE, 2W R120	2	2						
11	2	198153-51700	FUSE, SLOW BLOW 80A	1	1						
12	2	1A7880-51730	CLIP, RELAY BLOCK	3	3						
13	2	198535-52110	FUSE, 5A	7	7						
14	2	198535-52130	FUSE, 15A	5	5						
15	2	1A7531-52420	COVER, FUSE BOX	1	1						
16	2	1A7030-52810	FUSE, SLOW BLOW 40A	2	2						
17	2	1A8330-65790	LABEL, FUSE	1	1						
18	2	1E8775-84120	CLAMP, BAND B	10	10						
19	1	1A8330-51410	CABLE ASSY, BATTERY+	1	1						
20	2	1A7500-51160	CLIP, HARNESS	2	2						
21	1	1A8330-51420	CABLE, BATTERY -	1	1						
22	1	194680-51670	BAND, CLIP	1	1						
23	1	1A8330-51800	WIRE, LEAD EARTH	1	1						
24	1	124756-77040	COVER, TERMINAL A	1	1						
25	1	26106-060202	BOLT, M6X 20 PLATED	2	2						
26	1	26106-080162	BOLT, M8X 16 PLATED	1	1						
27	1	26106-100202	BOLT, M10X 20 PLATED	2	2						
28	1	29622-140001	BAND, RF140	1	1						
29	1	29622-250001	BAND, RF250	1	1						
30	1	29622-250001	BAND, RF250	1	1						
31	1	29622-250001	BAND, RF250	1	1						
32	1	1A8300-51210	BAND, REPEAT	1	1						
33	1	1A8300-51210	BAND, REPEAT	2	2						
34	1	1A8300-51210	BAND, REPEAT	2	2						
35	1	1A8300-51210	BAND, REPEAT	2	2						

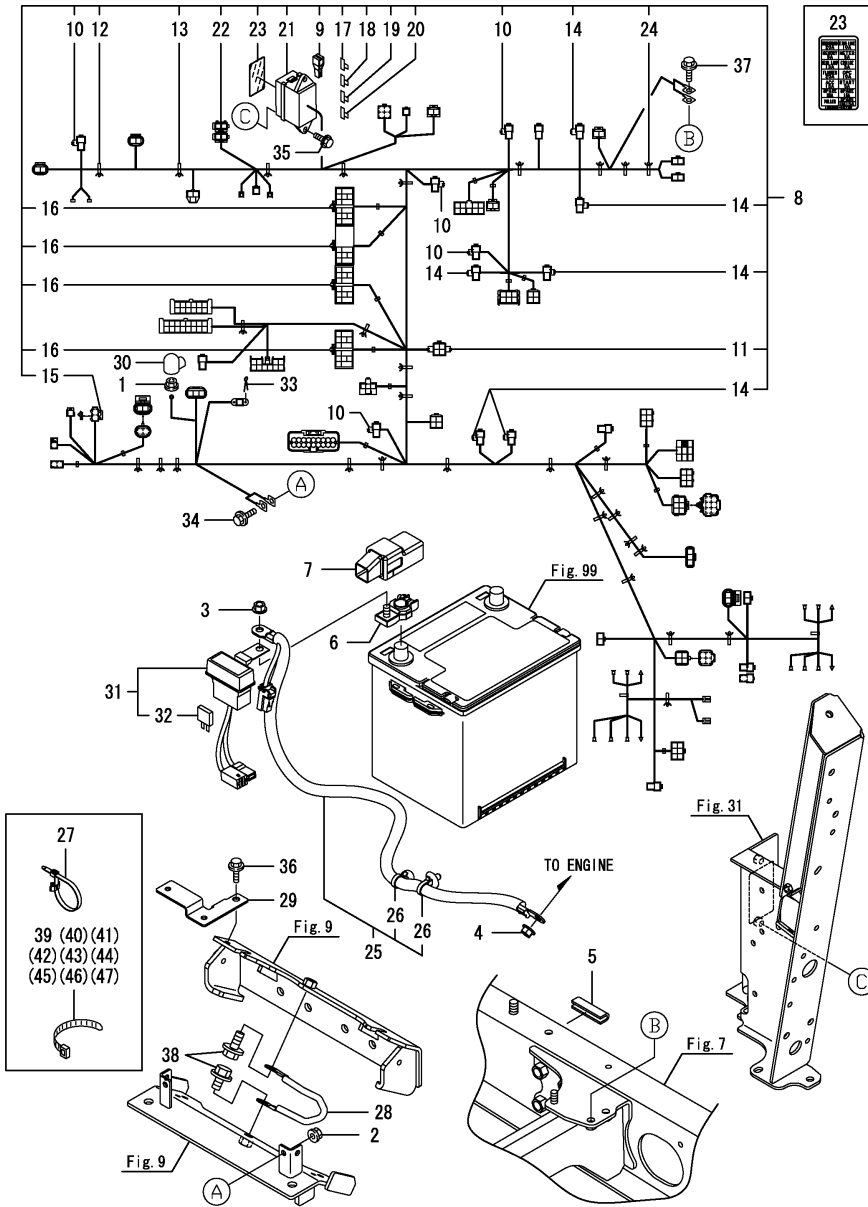
Remarks

* This figure is applicable to [(A)=F500001][(B)=F500000] or previous machines.
Please refer to Fig.144 since above-mentioned Engine Serial.

Fig.144. (98A)WIRE HARNESS

(A)=SA221,EU
(B)=SA424,EU
(C)=

(D)=
(E)=
(F)=



No.	Lev.	Parts No.	Description	Q'ty						I	R
				(A)	(B)	(C)	(D)	(E)	(F)		
1	1	194990-22130	NUT, M6	1	1						
2	1	194990-22130	NUT, M6	1	1						
3	1	194990-22140	NUT, M8	1	1						
4	1	194990-22140	NUT, M8	1	1						
5	1	195616-24930	TRIM	1	1						
6	1	1A8400-51050	TERMINAL, BATTERY +	1	1						
7	1	1A8400-51060	COVER, TERMINAL	1	1						
8	1	1A8332-51150	HARNESS ASSY, MAIN	1	1						
9	2	1C7200-06250	PULLER, FUSE	1	1						
10	2	1A7500-51130	DIODE, 3.0A	5	5						
11	2	1A8160-51130	DIODE, 3.0AX2	1	1						
12	2	1A7500-51160	CLIP, HARNESS	10	10						
13	2	1A7500-51170	CLIP, HARNESS	7	7						
14	2	1A6382-51510	RESISTANCE, 2W R120	6	6						
15	2	198153-51700	FUSE, SLOW BLOW 80A	1	1						
16	2	1A7880-51730	CLIP, RELAY BLOCK	4	4						
17	2	198535-52110	FUSE, 5A	5	5						
18	2	198535-52120	FUSE, 10A	3	3						
19	2	198535-52130	FUSE, 15A	3	3						
20	2	198535-52140	FUSE, 20A	3	3						
21	2	1A7531-52420	COVER, FUSE BOX	1	1						
22	2	1A8426-52800	FUSE, 1A	2	2						
23	2	1A8332-65790	LABEL, FUSE	1	1						
24	2	1E8775-84120	CLAMP, BAND B	13	13						
25	1	1A8332-51410	CABLE, + BATTERY	1	1						
26	2	1A7500-51160	CLIP, HARNESS	2	2						
27	1	194680-51670	BAND, CLIP	1	1						
28	1	1A8330-51800	WIRE, LEAD EARTH	1	1						
29	1	1A8332-58200	STAY, ENGINE L	1	1						
30	1	124756-77040	COVER, TERMINAL A	1	1						
31	1	1E8720-83090	CASE, BLOW FUSE 3	1	1						
32	2	1E8720-83120	FUSE, SLOW BLOW 50	3	3						
33	1	22417-200200	PIN, COTTER 2.0X20	1	1						
34	1	26106-060122	BOLT, M6X 12 PLATED	1	1						
35	1	26106-060162	BOLT, M6X 16 PLATED	2	2						
36	1	26106-080122	BOLT, M8X 12 PLATED	1	1						
37	1	26106-080162	BOLT, M8X 16 PLATED	1	1						
38	1	26106-100202	BOLT, M10X 20 PLATED	2	2						
39	1	29622-140001	BAND, RF140	1	1						
40	1	29622-250001	BAND, RF250	1	1						
41	1	29622-250001	BAND, RF250	1	1						
42	1	29622-250001	BAND, RF250	1	1						
43	1	29622-250001	BAND, RF250	1	1						
44	1	1A8300-51210	BAND, REPEAT	1	1						
45	1	1A8300-51210	BAND, REPEAT	2	2						
46	1	1A8300-51210	BAND, REPEAT	2	2						
47	1	1A8300-51210	BAND, REPEAT	2	2						

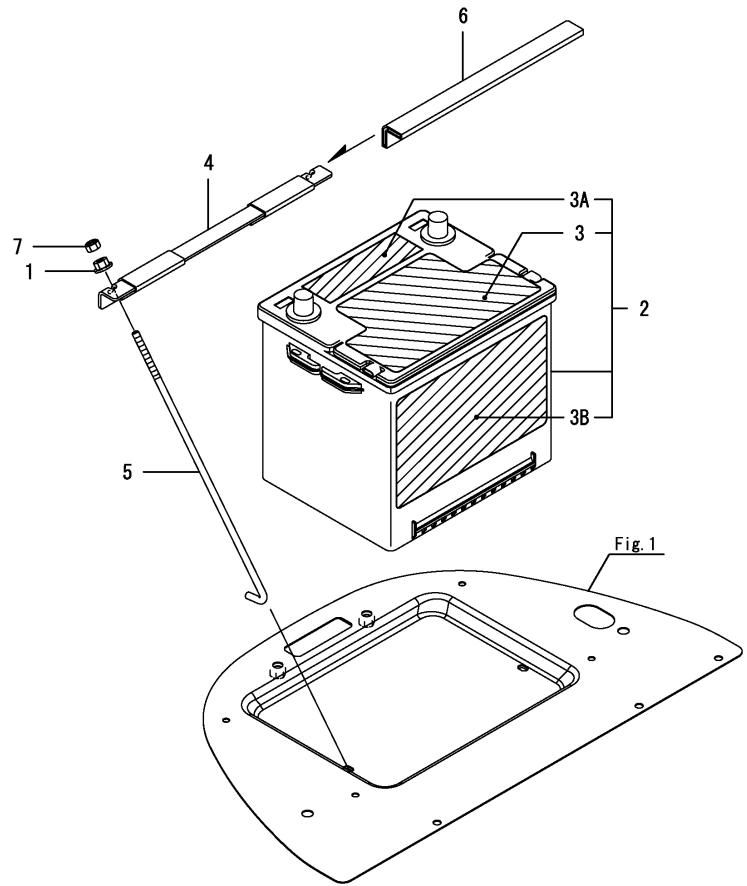
Remarks

* This figure is applicable to [(A)=F500002][[(B)=F500001] or following machines.
Please refer to Fig.98 before above-mentioned Engine Serial.

Fig.99. BATTERY

(A)=SA221,EU
(B)=SA424,EU
(C)=

(D)=
(E)=
(F)=

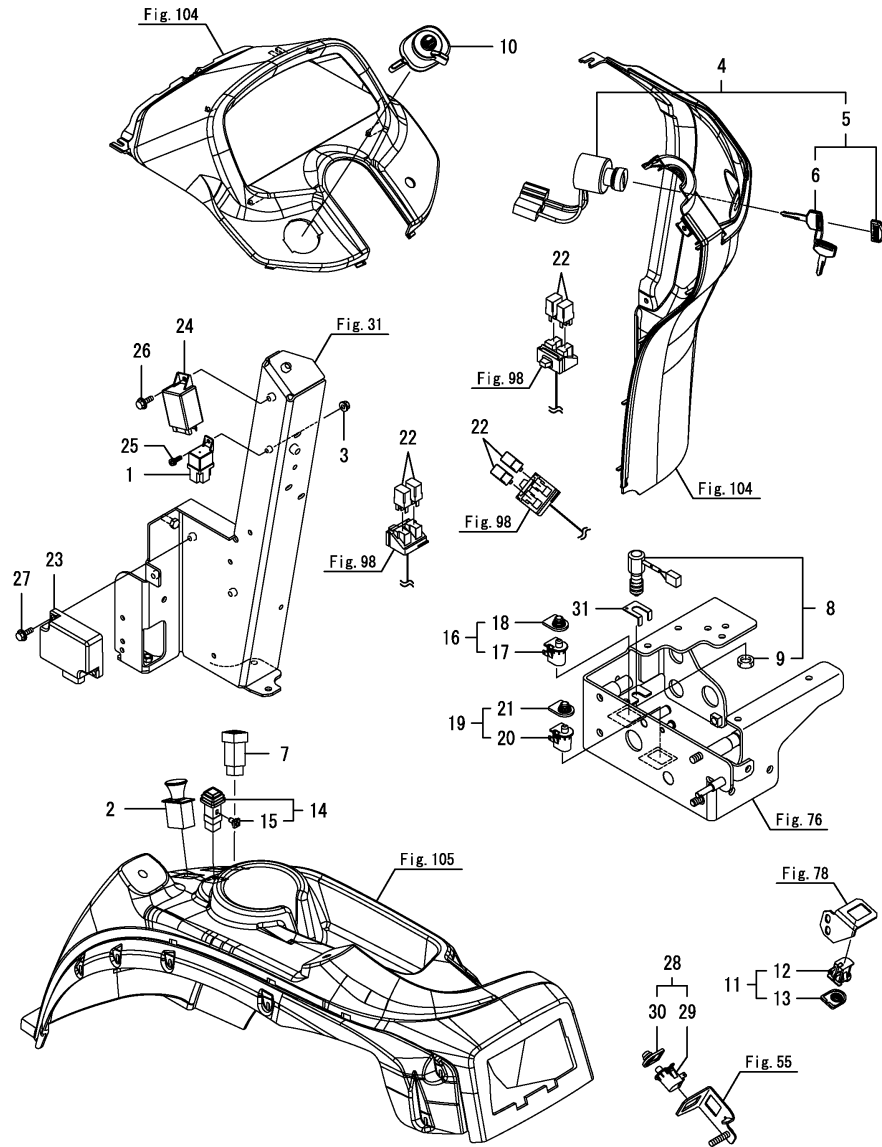


No.	Lev.	Parts No.	Description	Q'ty						I	R
				(A)	(B)	(C)	(D)	(E)	(F)		
1	1	194990-22130	NUT, M6	2	2						
2	1	1A8160-51500	BATTERY ASSY, 526RMF	1	1						
3	2	1A8160-51522	LABEL, BATTERY	1	1						
3A	2	1A8160-51531	LABEL, BATTERY TOP	1	1						
3B	2	1A8275-51540	LABEL, BATTERY BACK	1	1						
4	1	1A8160-51600	CLAMP, BATTERY 6-245	1	1						
5	1	1A8275-51610	ROD,BATTERY	2	2						
6	1	1A8275-51620	COVER, PROTECTIVE	1	1						
7	1	26716-060002	NUT, M6	2	2						

Fig.100. SWITCH

(A)=SA221,EU
(B)=SA424,EU
(C)=

(D)=
(E)=
(F)=



No.	Lev.	Parts No.	Description	Qty						I	R
				(A)	(B)	(C)	(D)	(E)	(F)		
1	1	172B16-17190	RELAY, CB TYPE C	1	1						
2	1	172531-17300	SWITCH, PTO	1	1						
3	1	194990-22120	NUT, M5	1	1						Z
		(A=*2018.09)	(B=*2018.09)								
4	1	198226-52100	SWITCH ASSY, STARTER	1	1						
5	2	194155-52160	KEY ASSY	1	1						
6	3	194155-52190	KEY, START SWITCH	2	2						
7	1	1A7335-52120	SWITCH, HAZARD	1	1						
8	1	198223-52151	SWITCH ASSY, LAMP	1	1						
9	2	26776-120002	NUT, LOCK M12	1	1						
10	1	1A8330-52150	SWITCH, COMBINATION	1	1						
11	1	1A7880-52200	SWITCH ASSY, PEDAL	1	1						
12	2	1A7880-52210	SWITCH, PEDAL	1	1						
13	2	1A8160-52330	COVER, SWITCH GUARD	1	1						
14	1	1A7880-52250	SWITCH, W/LAMP NL Y	1	1						
15	2	198133-78840	LAMP ASSY	1	1						
16	1	1A8160-52300	SWITCH ASSY, SEAT	1	1						
17	2	1A8160-52310	SWITCH, SEAT DELTA	1	1						
18	2	1A8160-52330	COVER, SWITCH GUARD	1	1						
19	1	1A8160-52300	SWITCH ASSY, SEAT	1	1						
20	2	1A8160-52310	SWITCH, SEAT DELTA	1	1						
21	2	1A8160-52330	COVER, SWITCH GUARD	1	1						
22	1	1A7522-52950	RELAY, ACM13221M19	6	6						
23	1	1A8330-57100	RELAY UNIT	1	1						
24	1	1A7510-57200	RELAY, FLASHER	1	1						
25	1	26023-050162	SCREW, M5X16	1	1						
26	1	26106-060202	BOLT, M6X 20 PLATED	1	1						
27	1	26106-060202	BOLT, M6X 20 PLATED	2	2						
28	1	1A8160-52300	SWITCH ASSY, SEAT	1	1						
29	2	1A8160-52310	SWITCH, SEAT DELTA	1	1						
30	2	1A8160-52330	COVER, SWITCH GUARD	1	1						
31	1	198280-52091	STAY, BRAKE SWITCH	1	1						W
		(A=F200116)	(B=F200114)								

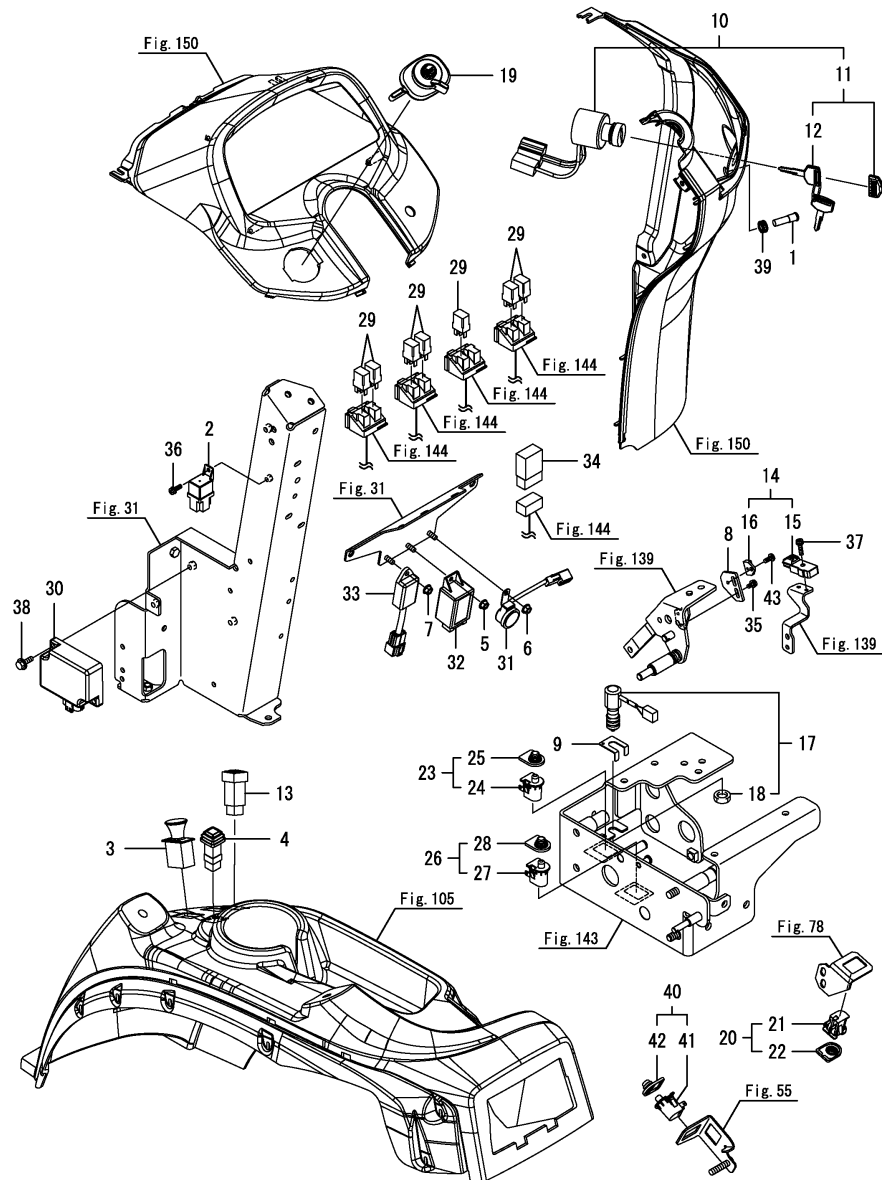
Remarks

* This figure is applicable to [(A)=F500001][(B)=F500000] or previous machines.
Please refer to Fig.145(or 146) since above-mentioned Engine Serial.

Fig.145. (100A)SWITCH

(A)=SA221,EU
(B)=SA424,EU
(C)=

(D)=
(E)=
(F)=



No.	Lev.	Parts No.	Description	Q'ty						I	R
				(A)	(B)	(C)	(D)	(E)	(F)		
1	1	1C6980-07210	LAMP, PILOT LED	1							
2	1	172B16-17190	RELAY, CB TYPE C	1							
3	1	172531-17300	SWITCH, PTO	1							
4	1	1D4225-18350	SWITCH, LAMP S NL-Y	1							
5	1	194990-22130	NUT, M6	1							
6	1	194990-22130	NUT, M6	1							
7	1	194990-22130	NUT, M6	1							
8	1	1A8332-47451	STAY, SWITCH	1							
9	1	198280-52091	STAY, BRAKE SWITCH	1							
10	1	198226-52100	SWITCH ASSY, STARTER	1							
11	2	194155-52160	KEY ASSY	1							
12	3	194155-52190	KEY, START SWITCH	2							
13	1	1A7335-52120	SWITCH, HAZARD	1							
14	1	1A8060-52130	SWITCH ASSY, INTERLOC	1							
15	2	1A8060-52140	SWITCH, INTERLOCK NO	1							
16	2	1A8060-52170	MAGNET, INTERLOCK	1							
17	1	198223-52151	SWITCH ASSY, LAMP	1							
18	2	26776-120002	NUT, LOCK M12	1							
19	1	1A8330-52150	SWITCH, COMBINATION	1							
20	1	1A7880-52200	SWITCH ASSY, PEDAL	1							
21	2	1A7880-52210	SWITCH, PEDAL	1							
22	2	1A8160-52330	COVER, SWITCH GUARD	1							
23	1	1A8160-52300	SWITCH ASSY, SEAT	1							
24	2	1A8160-52310	SWITCH, SEAT DELTA	1							
25	2	1A8160-52330	COVER, SWITCH GUARD	1							
26	1	1A8160-52300	SWITCH ASSY, SEAT	1							
27	2	1A8160-52310	SWITCH, SEAT DELTA	1							
28	2	1A8160-52330	COVER, SWITCH GUARD	1							
29	1	1A7522-52950	RELAY, ACM13221M19	7							
30	1	1A8476-57103	RELAY UNIT,EU	1							
31	1	174570-57110	BUZZER, ALARM	1							
32	1	1A7510-57200	RELAY, FLASHER	1							
33	1	129211-77920	TIMER, SECTION 1	1							
34	1	1E8510-84930	DIODE UNIT, A	1							
35	1	26023-050102	SCREW, M5X10	2							
36	1	26023-050162	SCREW, M5X16	1							
37	1	26023-050202	SCREW, M5X20	1							
38	1	26106-060202	BOLT, M6X 20 PLATED	2							
39	1	29311-094000	GROMET, 8.5X4	1							
40	1	1A8160-52300	SWITCH ASSY, SEAT	1							
41	2	1A8160-52310	SWITCH, SEAT DELTA	1							
42	2	1A8160-52330	COVER, SWITCH GUARD	1							
43	1	26587-050122	SCREW, M5X12	1							

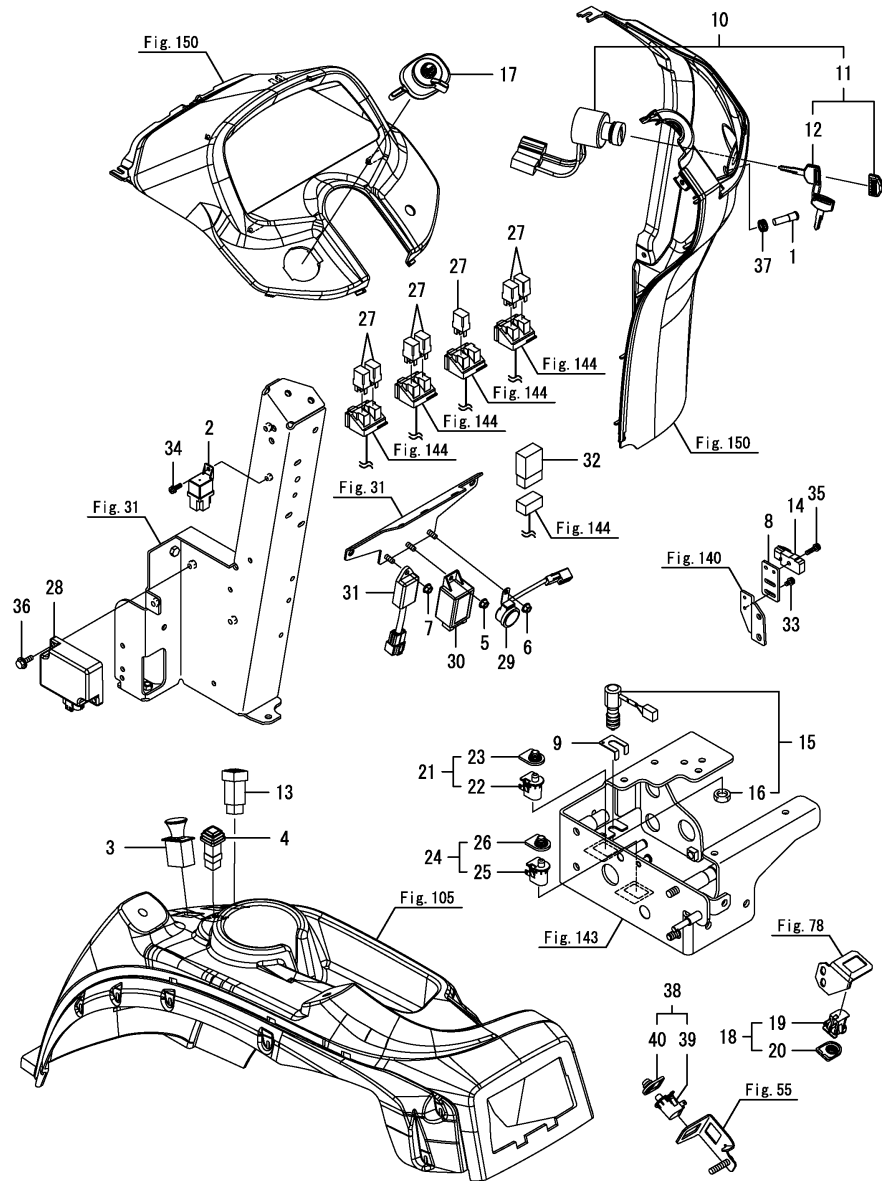
Remarks

* This figure is applicable to [(A)=F500002] or following machines.
Please refer to Fig.100 before above-mentioned Engine Serial.

Fig.146. (100B)SWITCH

(A)=SA221,EU
(B)=SA424,EU
(C)=

(D)=
(E)=
(F)=



No.	Lev.	Parts No.	Description	Qty						I	R
				(A)	(B)	(C)	(D)	(E)	(F)		
1	1	1C6980-07210	LAMP, PILOT LED	1							
2	1	172B16-17190	RELAY, CB TYPE C	1							
3	1	172531-17300	SWITCH, PTO	1							
4	1	1D4225-18350	SWITCH, LAMP S NL-Y	1							
5	1	194990-22130	NUT, M6	1							
6	1	194990-22130	NUT, M6	1							
7	1	194990-22130	NUT, M6	1							
8	1	1A8322-47450	STAY, SWITCH	1							
9	1	198280-52091	STAY, BRAKE SWITCH	1							
10	1	198226-52100	SWITCH ASSY, STARTER	1							
11	2	194155-52160	KEY ASSY	1							
12	3	194155-52190	KEY, START SWITCH	2							
13	1	1A7335-52120	SWITCH, HAZARD	1							
14	1	1A8060-52140	SWITCH, INTERLOCK NO	1							
15	1	198223-52151	SWITCH ASSY, LAMP	1							
16	2	26776-120002	NUT, LOCK M12	1							
17	1	1A8330-52150	SWITCH, COMBINATION	1							
18	1	1A7880-52200	SWITCH ASSY, PEDAL	1							
19	2	1A7880-52210	SWITCH, PEDAL	1							
20	2	1A8160-52330	COVER, SWITCH GUARD	1							
21	1	1A8160-52300	SWITCH ASSY, SEAT	1							
22	2	1A8160-52310	SWITCH, SEAT DELTA	1							
23	2	1A8160-52330	COVER, SWITCH GUARD	1							
24	1	1A8160-52300	SWITCH ASSY, SEAT	1							
25	2	1A8160-52310	SWITCH, SEAT DELTA	1							
26	2	1A8160-52330	COVER, SWITCH GUARD	1							
27	1	1A7522-52950	RELAY, ACM13221M19	7							
28	1	1A8476-57103	RELAY UNIT,EU	1							
29	1	174570-57110	BUZZER, ALARM	1							
30	1	1A7510-57200	RELAY, FLASHER	1							
31	1	129211-77920	TIMER, SECTION 1	1							
32	1	1E8510-84930	DIODE UNIT, A	1							
33	1	26023-050102	SCREW, M5X10	2							
34	1	26023-050162	SCREW, M5X16	1							
35	1	26023-050202	SCREW, M5X20	1							
36	1	26106-060202	BOLT, M6X 20 PLATED	2							
37	1	29311-094000	GROMET, 8.5X4	1							
38	1	1A8160-52300	SWITCH ASSY, SEAT	1							
39	2	1A8160-52310	SWITCH, SEAT DELTA	1							
40	2	1A8160-52330	COVER, SWITCH GUARD	1							

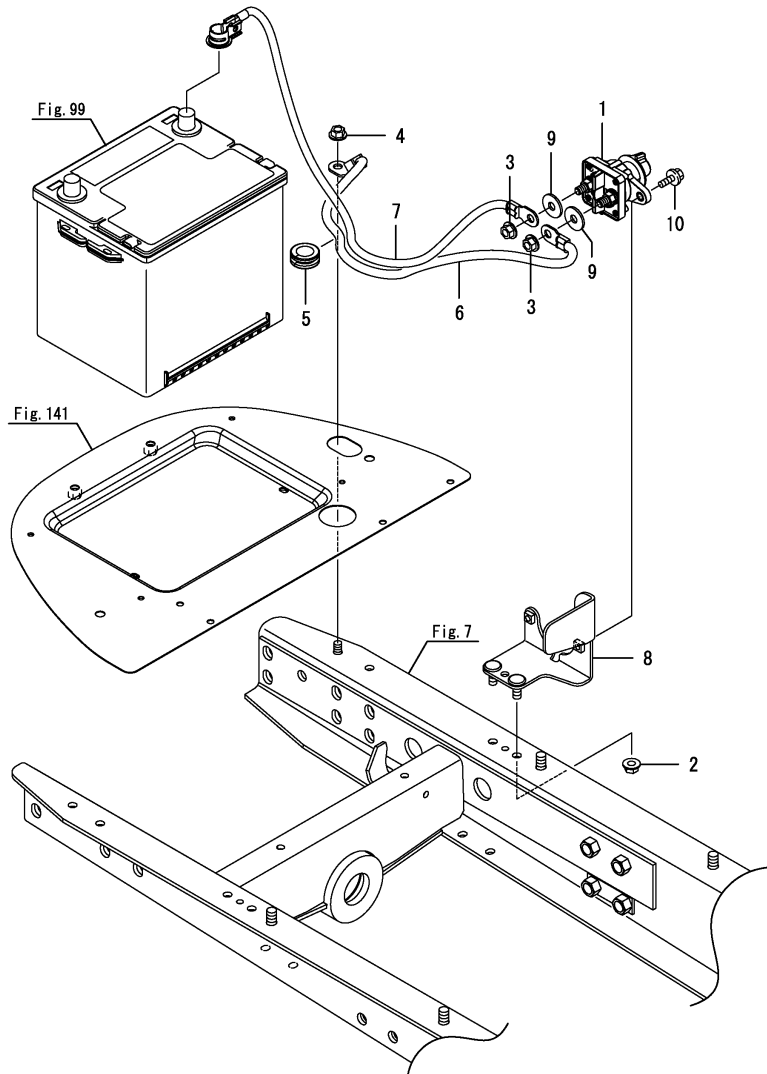
Remarks

* This figure is applicable to [(B)=F500001] or following machines.
Please refer to Fig.100 before above-mentioned Engine Serial.

Fig.147. SWITCH(BATTERY)

(A)=SA221,EU
(B)=SA424,EU
(C)=

(D)=
(E)=
(F)=



No.	Lev.	Parts No.	Description	Q'ty						I	R
				(A)	(B)	(C)	(D)	(E)	(F)		
1	1	172544-16200	SWITCH ASSY, BATTERY	1	1						
2	1	194990-22140	NUT, M8	2	2						
3	1	194990-22140	NUT, M8	2	2						
4	1	194990-22140	NUT, M8	1	1						
5	1	198133-51350	GROMMET, 38A	1	1						
6	1	1A8332-51400	CABLE, BATTERY EARTH	1	1						
7	1	1A8332-51420	CABLE, - BATTERY	1	1						
8	1	1A8332-58130	STAY ASSY, SWITCH	1	1						
9	1	22157-080000	WASHER, 8	2	2						
10	1	26106-060162	BOLT, M6X 16 PLATED	2	2						

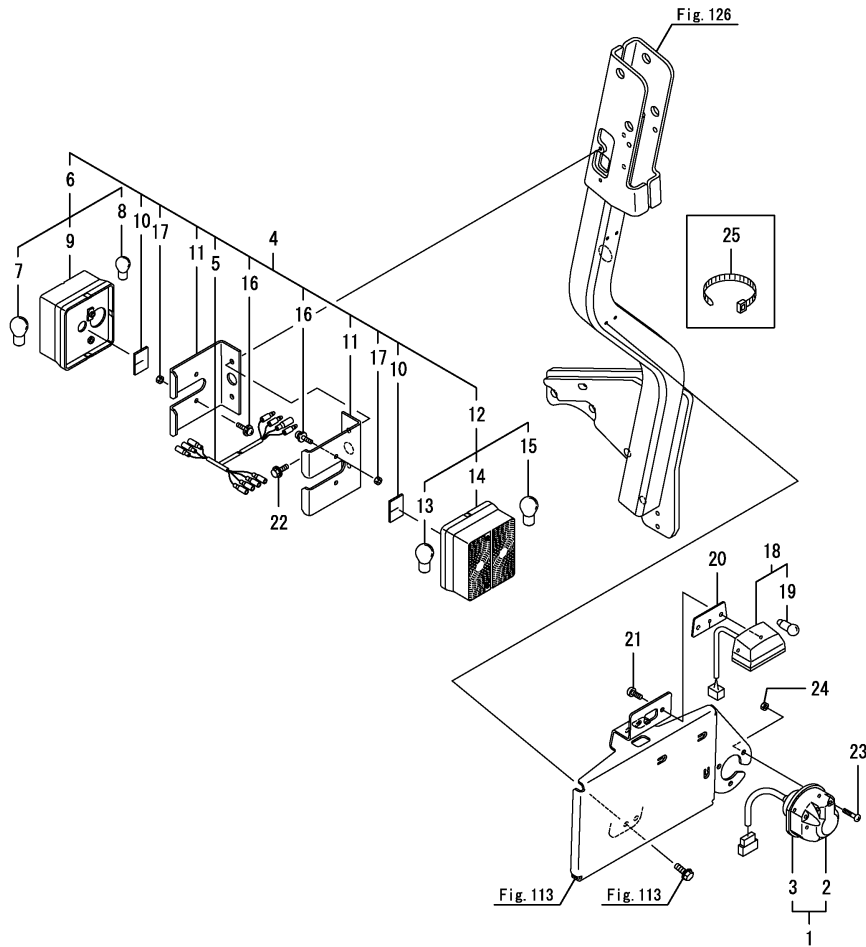
Remarks

* This figure is applicable to [(A)=F500002][[(B)=F500001] or following machines.

Fig.101. LAMP

(A)=SA221,EU
(B)=SA424,EU
(C)=

(D)=
(E)=
(F)=

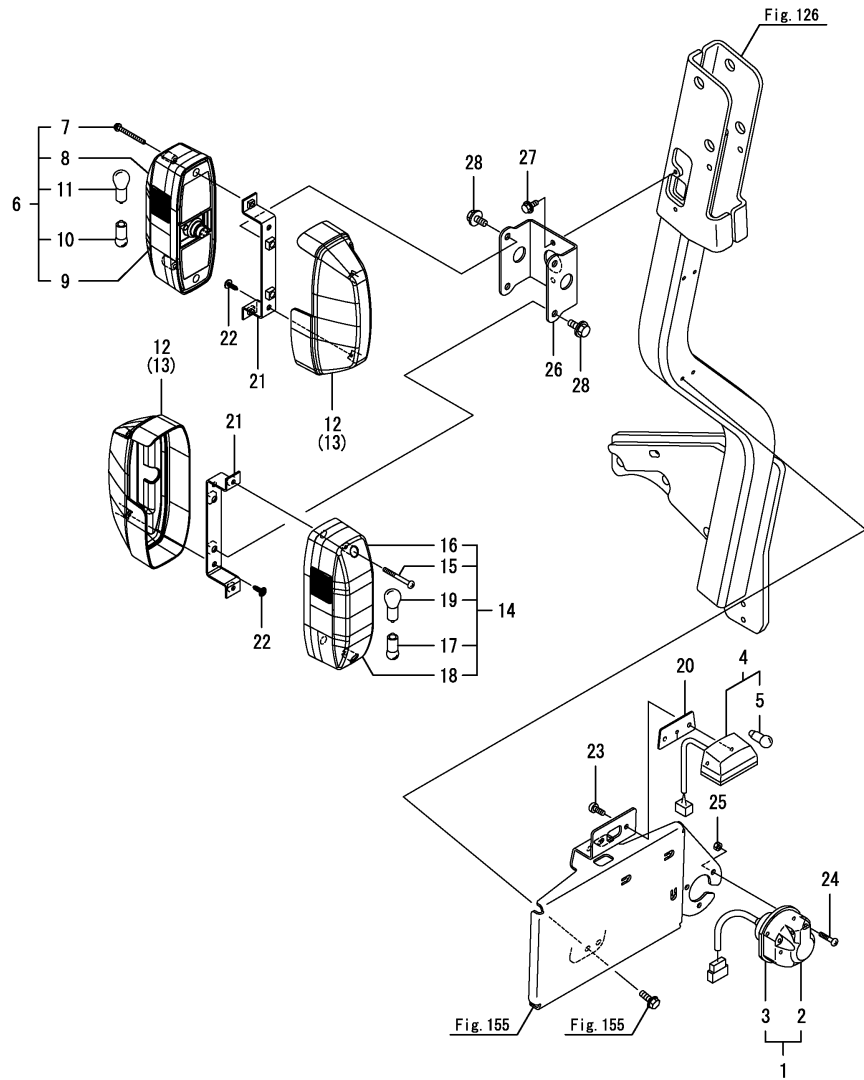


No.	Lev.	Parts No.	Description	Q'ty						I	R
				(A)	(B)	(C)	(D)	(E)	(F)		
1	1	198163-52150	COUPLER SET, TRAILER	1	1						
2	2	198163-52110	COUPLER ASSY,TRAILER	1	1						
3	2	198163-52120	BOOT, COUPLER	1	1						
4	1	1A8300-53300	LAMP, COMBINATION	2	2						
5	2	198163-51520	HARNESS, WIRE RE	2	2						
6	2	198163-53310	LAMP, COMBINATION F	2	2						
7	3	1A7100-53220	BULB, 12VP21W	2	2						
8	3	1A7100-53230	BULB, 12VR5W	2	2						
9	3	198163-53320	BODY ASSY, F	2	2						
10	2	1A7874-53310	SEAL, 30X25X2	4	4						
11	2	1A8300-53320	BRACKET, COMBI LAMP	4	4						
12	2	198163-53330	LAMP ASSY, R	2	2						
13	3	1A7100-53220	BULB, 12VP21W	2	2						
14	3	198163-53340	BODY ASSY, R	2	2						
15	3	198163-53350	BULB, 12V5W21W	2	2						
16	2	26023-050122	SCREW, M5X12	8	8						
17	2	26716-050002	NUT, M5	8	8						
18	1	1A7100-53400	LAMP ASSY, LICENSE	1	1						
19	2	1A7100-53420	BULB, 12VC5W	1	1						
20	1	198280-53750	SEAL, LICENCE LAMP	1	1						
21	1	1C6650-37480	SCREW, TAPPING M6X16	2	2						
22	1	26106-060122	BOLT, M6X 12 PLATED	4	4						
23	1	26557-050352	SCREW, M5X35	3	3						
24	1	26716-050002	NUT, M5	3	3						
25	1	29622-250001	BAND, RF250	4	4						

Remarks

* This figure is applicable to [(A)=F500001][(B)=F500000] or previous machines.
Please refer to Fig.148 since above-mentioned Engine Serial.

Fig.148. (101A)LAMP



(A)=SA221,EU
(B)=SA424,EU
(C)=

(D)=
(E)=
(F)=

No.	Lev.	Parts No.	Description	Q'ty						I	R
				(A)	(B)	(C)	(D)	(E)	(F)		
1	1	198163-52150	COUPLER SET, TRAILER	1	1						
2	2	198163-52110	COUPLER ASSY,TRAILER	1	1						
3	2	198163-52120	BOOT, COUPLER	1	1						
4	1	1A7100-53400	LAMP ASSY, LICENSE	1	1						
5	2	1A7100-53420	BULB, 12VC5W	1	1						
6	1	1A8060-53400	LAMP ASSY, FRONT	2	2						
7	2	1A8060-53430	SCREW, M5X50	4	4						
8	2	1A8060-53440	LENS, FRONT	2	2						
9	2	1A8060-53450	LENS, CLEAR	2	2						
10	2	1E6680-81120	BULB, 12V-5W	2	2						
11	2	1E9170-81270	BULB, 12V/21W	2	2						
12	1	1A8470-53450	COVER, LAMP A	2	2						
13	1	1A8470-53460	COVER, LAMP B	2	2						
14	1	1A8043-53600	LAMP ASSY, REAR COMB	2	2						
15	2	1A8060-53430	SCREW, M5X50	4	4						
16	2	1A8060-53440	LENS, FRONT	2	2						
17	2	1A7400-53530	VALVE, 12V/21/5W	2	2						
18	2	1A8043-53640	LENS, REAR	2	2						
19	2	1E9170-81270	BULB, 12V/21W	2	2						
20	1	198280-53750	SEAL, LICENCE LAMP	1	1						
21	1	1A8470-53850	STAY ASSY,LANP COVER	4	4						
22	1	194940-61790	SCREW, TAPPING M5X16	8	8						
23	1	1C6650-37480	SCREW, TAPPING M6X16	2	2						
24	1	26557-050352	SCREW, M5X35	3	3						
25	1	26716-050002	NUT, M5	3	3						
26	1	1A8332-53720	STAY, LAMP	2	2						
27	1	26106-060122	BOLT, M6X 12 PLATED	4	4						
28	1	26106-080162	BOLT, M8X 16 PLATED	8	8						

Remarks

* This figure is applicable to [(A)=F500002][[(B)=F500001] or following machines.
Please refer to Fig.101 before above-mentioned Engine Serial.

Fig.102. METER

(A)=SA221,EU
 (B)=SA424,EU
 (C)=

(D)=
 (E)=
 (F)=

No.	Lev.	Parts No.	Description	Q'ty						I	R
				(A)	(B)	(C)	(D)	(E)	(F)		
1	1	1A8330-56050	METER ASSY	1	1						
2	1	194940-61790	SCREW, TAPPING M5X16	4	4						

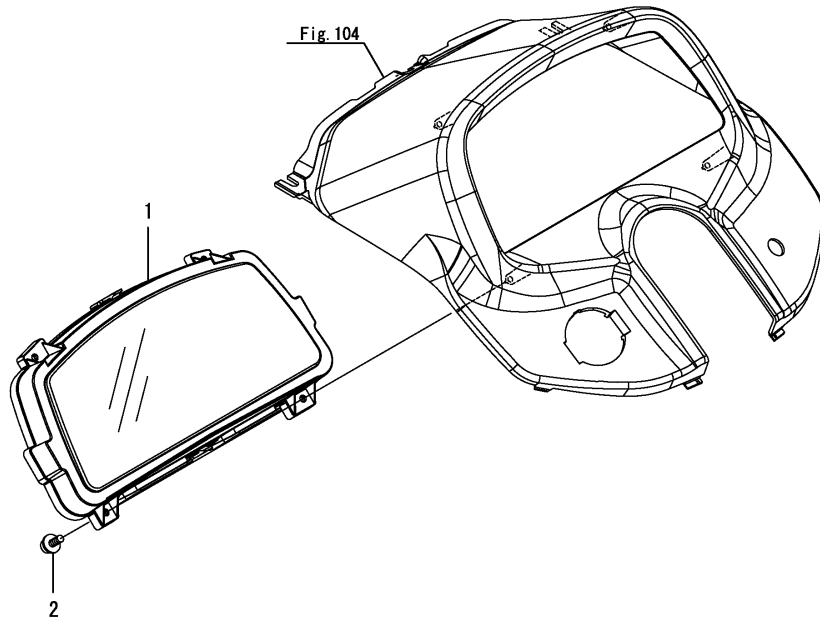
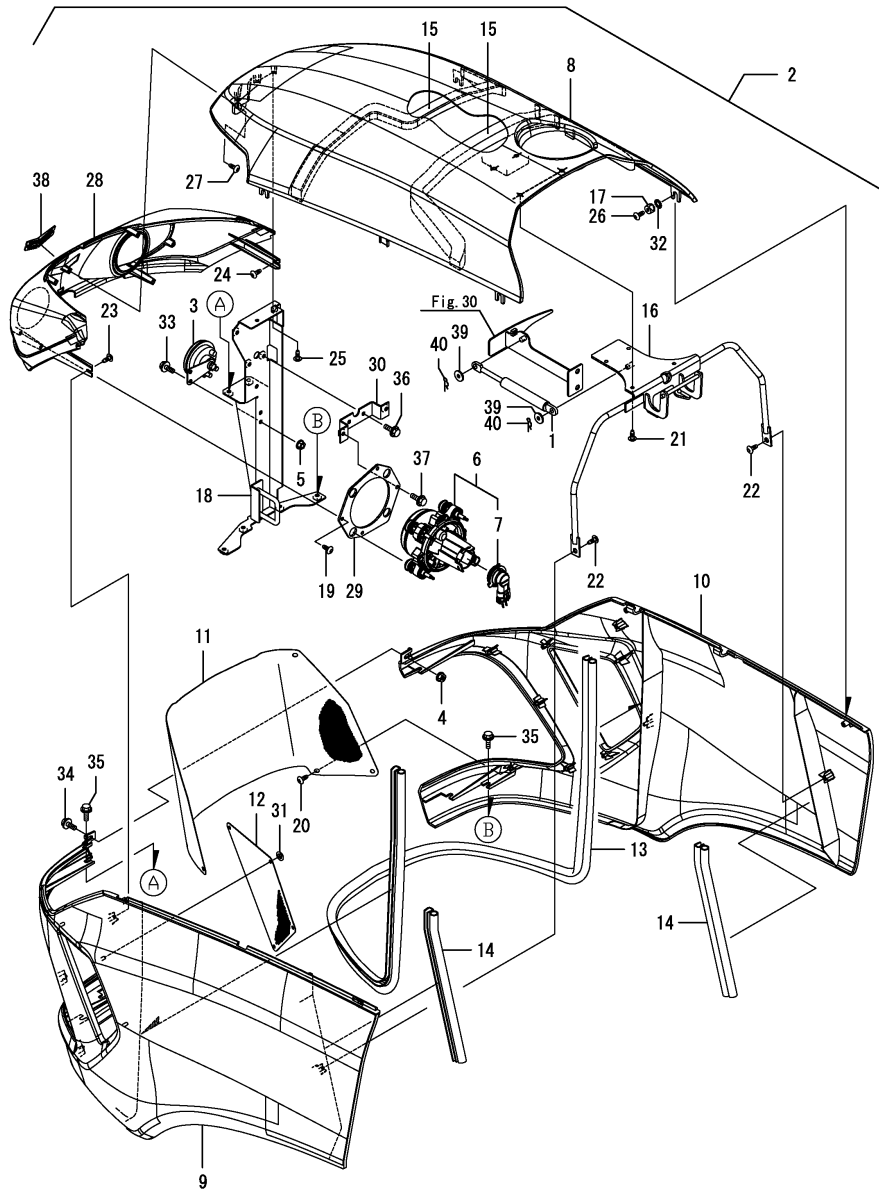


Fig.103. BONNET



(A)=SA221,EU
(B)=SA424,EU
(C)=

(D)=
(E)=
(F)=

No.	Lev.	Parts No.	Description	(A)	(B)	(C)	Q'ty	(D)	(E)	(F)	I	R
1	1	1A8330-61400	SPRING, GUS	1	1							
2	1	1A8330-61900	HOOD ASSY	1	1							1
3	2	1C7100-08151	HORN ASSY	1	1							
4	2	194990-22130	NUT, M6	1	1							
5	2	194990-22130	NUT, M6	2	2							Z
		(A=*2018.09)	(B=*2018.09)									
6	2	1A8330-53210	LAMP UNIT, HEAD	2	2							
7	3	1A8330-53250	BULB,12V-55W	2	2							
8	2	1A8330-61050	BONNET ASSY, M	1	1							1
9	2	1A8330-61150	HOOD, SIDE L	1	1							1
10	2	1A8330-61160	HOOD, SIDE R	1	1							1
11	2	1A8330-61200	SCREEN, FRONT	1	1							
12	2	1A8330-61210	SCREEN, SIDE	2	2							
13	2	1A8330-61250	WEATHER-STRIP, 1760	1	1							
14	2	1A8330-61260	WEATHER-STRIP, 310	2	2							
15	2	1A8330-61280	URETHANE, 780	2	2							
16	2	1A8330-61291	HINGE ASSY, HOOD	1	1							
17	2	1A8070-61330	COLLAR, 10X15X10	4	4							
18	2	1A8330-61450	FRAME ASSY, BONNET	1	1							
18-1	2	1A8330-61451	FRAME ASSY, HOOD	1	1							N
		(A=*2018.09)	(B=*2018.09)									
19	2	1A7180-61780	SCREW, TAPPING M5X14	6	6							
20	2	1A7180-61780	SCREW, TAPPING M5X14	6	6							
21	2	1A7180-61780	SCREW, TAPPING M5X14	4	4							
22	2	1A7180-61780	SCREW, TAPPING M5X14	2	2							
23	2	1A7180-61780	SCREW, TAPPING M5X14	1	1							
24	2	1A7180-61780	SCREW, TAPPING M5X14	1	1							
25	2	1A7180-61780	SCREW, TAPPING M5X14	2	2							
26	2	1A7180-61780	SCREW, TAPPING M5X14	4	4							
27	2	1A7180-61780	SCREW, TAPPING M5X14	1	1							
28	2	1A8330-61910	BEZEL, HEAD LAMP	1	1							
29	2	1A8330-61920	STAY, HEAD LAMP	2	2							
30	2	1A8330-61930	STAY ASSY, CENTER	1	1							
31	2	198071-65610	NUT, SPEED M5	8	8							
32	2	22232-100000	WASHER, SPRING 10	4	4							
33	2	26106-060122	BOLT, M6X 12 PLATED	2	2							
34	2	26106-060162	BOLT, M6X 16 PLATED	1	1							
35	2	26106-060162	BOLT, M6X 16 PLATED	6	6							
36	2	26106-060162	BOLT, M6X 16 PLATED	2	2							
37	2	26106-060162	BOLT, M6X 16 PLATED	2	2							
38	2	41801-110041	EMBLEM, FY S 04	1	1							
39	1	22157-060000	WASHER, 6	2	2							
40	1	22372-060000	PIN, SNAP 6	2	2							

Remarks

* This figure is applicable to [(A)=F500001][(B)=F500000] or previous machines.

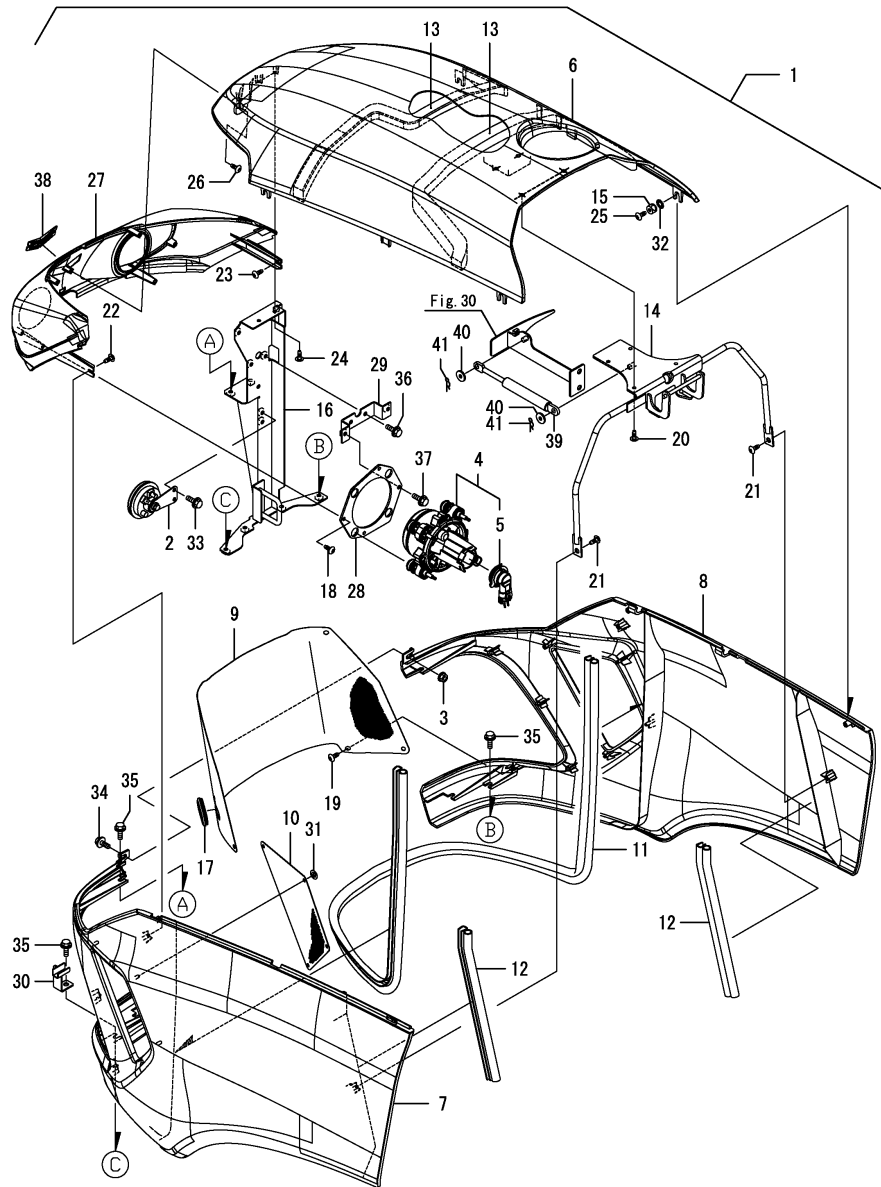
Please refer to Fig.149 since above-mentioned Engine Serial.

(1)Color=No.2, 8, 9 & 10 : YANMAR RED 2

Fig.149. (103A)BONNET

(A)=SA221,EU
(B)=SA424,EU
(C)=

(D)=
(E)=
(F)=



No.	Lev.	Parts No.	Description	Qty						I	R
				(A)	(B)	(C)	(D)	(E)	(F)		
1	1	1A8332-61100	HOOD ASSY	1	1						1
2	2	1C7100-08151	HORN ASSY	1	1						
3	2	194990-22130	NUT, M6	1	1						
4	2	1A8330-53210	LAMP UNIT, HEAD	2	2						
5	3	1A8330-53250	BULB,12V-55W	2	2						
6	2	1A8330-61051	M ASSY,HOOD	1	1						1
7	2	1A8330-61151	HOOD, SIDE L	1	1						1
8	2	1A8330-61161	HOOD, SIDE R	1	1						1
9	2	1A8332-61200	SCREEN, FRONT	1	1						
10	2	1A8330-61210	SCREEN, SIDE	2	2						
11	2	1A8330-61250	WEATHER-STRIP, 1760	1	1						
12	2	1A8330-61260	WEATHER-STRIP, 310	2	2						
13	2	1A8330-61280	URETHANE, 780	2	2						
14	2	1A8330-61291	HINGE ASSY, HOOD	1	1						
15	2	1A8070-61330	COLLAR, 10X15X10	4	4						
16	2	1A8330-61451	FRAME ASSY, HOOD	1	1						
17	2	1A8332-61510	GROMMET, 67X27	1	1						
18	2	1A7180-61780	SCREW, TAPPING M5X14	6	6						
19	2	1A7180-61780	SCREW, TAPPING M5X14	6	6						
20	2	1A7180-61780	SCREW, TAPPING M5X14	4	4						
21	2	1A7180-61780	SCREW, TAPPING M5X14	2	2						
22	2	1A7180-61780	SCREW, TAPPING M5X14	1	1						
23	2	1A7180-61780	SCREW, TAPPING M5X14	1	1						
24	2	1A7180-61780	SCREW, TAPPING M5X14	2	2						
25	2	1A7180-61780	SCREW, TAPPING M5X14	4	4						
26	2	1A7180-61780	SCREW, TAPPING M5X14	1	1						
27	2	1A8330-61910	BEZEL, HEAD LAMP	1	1						
28	2	1A8330-61920	STAY, HEAD LAMP	2	2						
29	2	1A8330-61930	STAY ASSY, CENTER	1	1						
30	2	1A8332-61950	STAY ASSY, HOOD	1	1						
31	2	198071-65610	NUT, SPEED M5	8	8						
32	2	22232-100000	WASHER, SPRING 10	4	4						
33	2	26106-060122	BOLT, M6X 12 PLATED	2	2						
34	2	26106-060162	BOLT, M6X 16 PLATED	1	1						
35	2	26106-060162	BOLT, M6X 16 PLATED	6	6						
36	2	26106-060162	BOLT, M6X 16 PLATED	2	2						
37	2	26106-060162	BOLT, M6X 16 PLATED	2	2						
38	2	41801-110041	EMBLEM, FY S 04	1	1						
39	1	1A8330-61400	SPRING, GUS	1	1						
40	1	22157-060000	WASHER, 6	2	2						
41	1	22372-060000	PIN, SNAP 6	2	2						

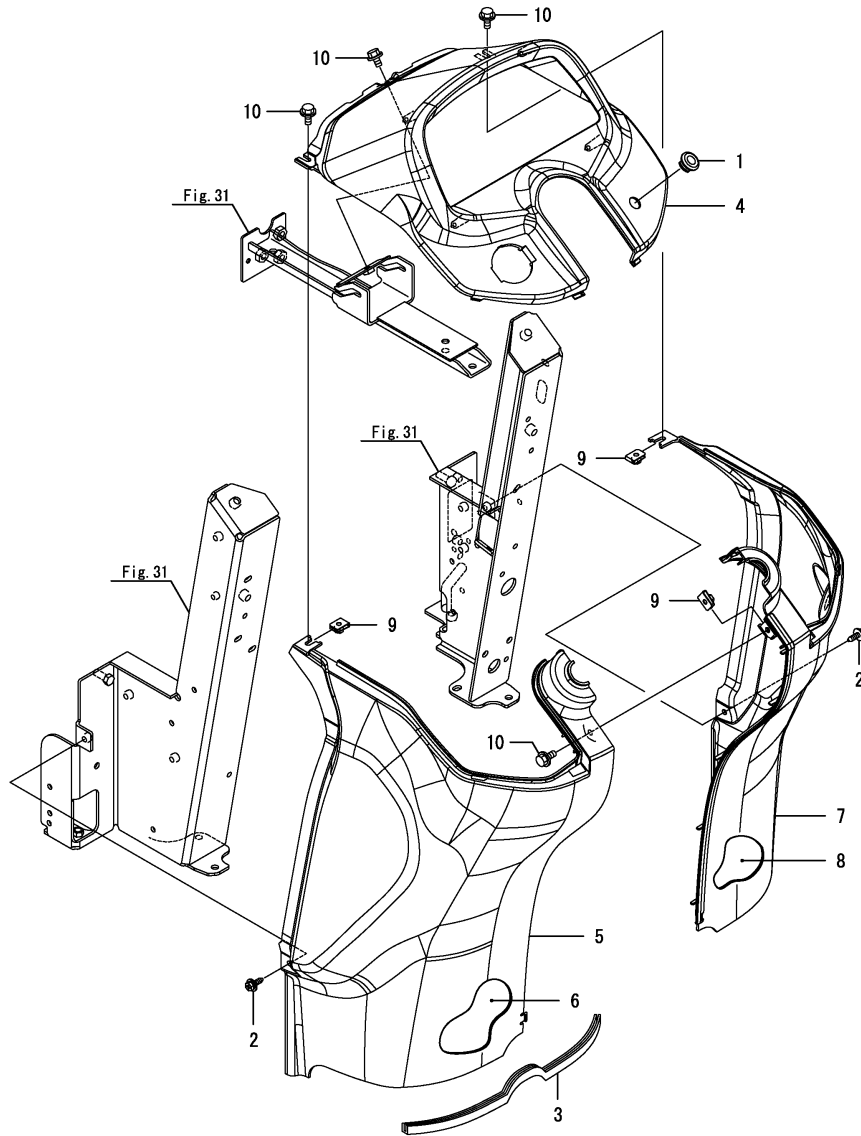
Remarks

* This figure is applicable to [(A)=F500002][(B)=F500001] or following machines.
Please refer to Fig.103 before above-mentioned Engine Serial.
(1)Color=No.1, 6, 7 & 8 : YANMAR PREMIUM RED.

Fig.104. DASHBOARD

(A)=SA221,EU
(B)=SA424,EU
(C)=

(D)=
(E)=
(F)=



No.	Lev.	Parts No.	Description	Q'ty						I	R
				(A)	(B)	(C)	(D)	(E)	(F)		
1	1	198360-03260	GROMMET, 12	1	1						
2	1	198072-60590	BOLT, M6X20	2	2						
3	1	1A8330-61260	WEATHER-STRIP, 310	1	1						
4	1	1A8330-61600	DASHBOARD, UPPER	1	1						
5	1	1A8330-61650	DASHBOARD, L	1	1						
6	1	1A8330-61661	ISOLATOR, DB L	1	1						
7	1	1A8330-61690	DASHBOARD ASSY, M R	1	1						
8	1	1A8330-61710	ISOLATOR, DB R	1	1						
9	1	198071-61890	NUT, SPEED M6	3	3						
10	1	26106-060122	BOLT, M6X 12 PLATED	4	4						

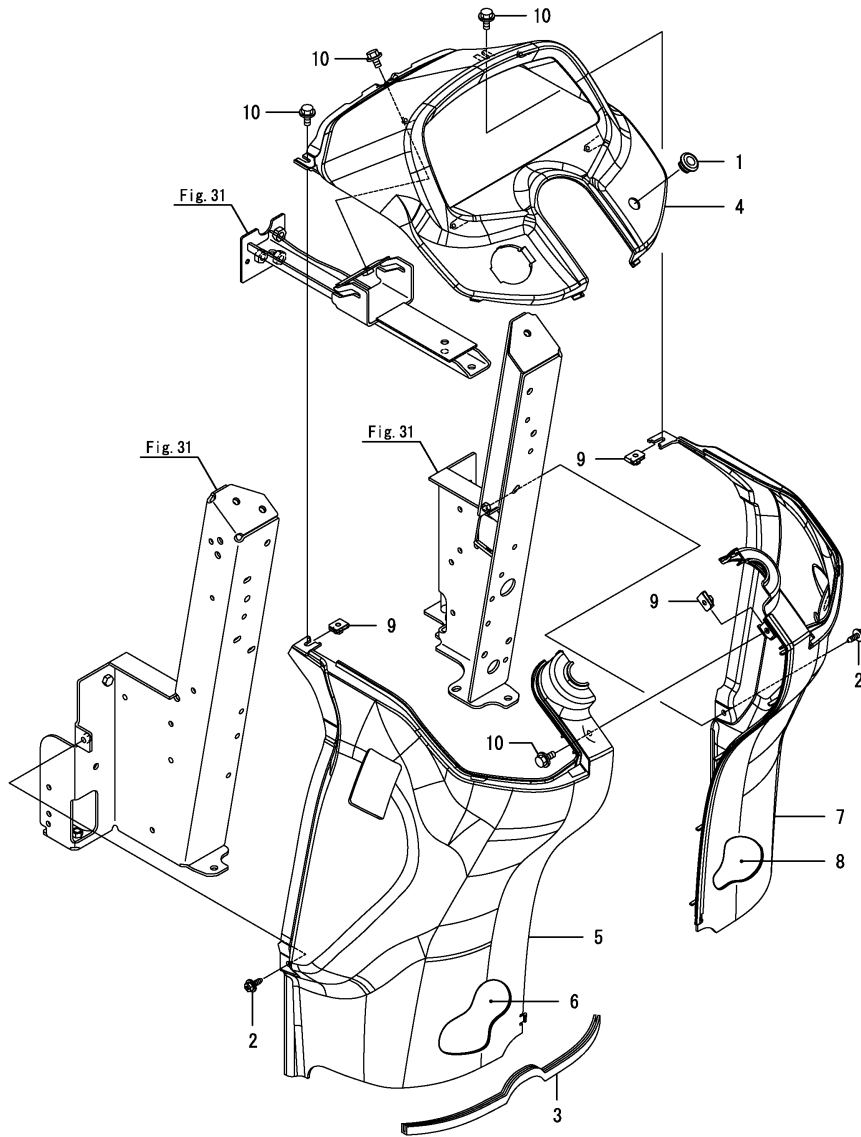
Remarks

* This figure is applicable to [(A)=F500001][[(B)=F500000] or previous machines.
Please refer to Fig.150 since above-mentioned Engine Serial.

Fig.150. (104A)DASHBOARD

(A)=SA221,EU
(B)=SA424,EU
(C)=

(D)=
(E)=
(F)=

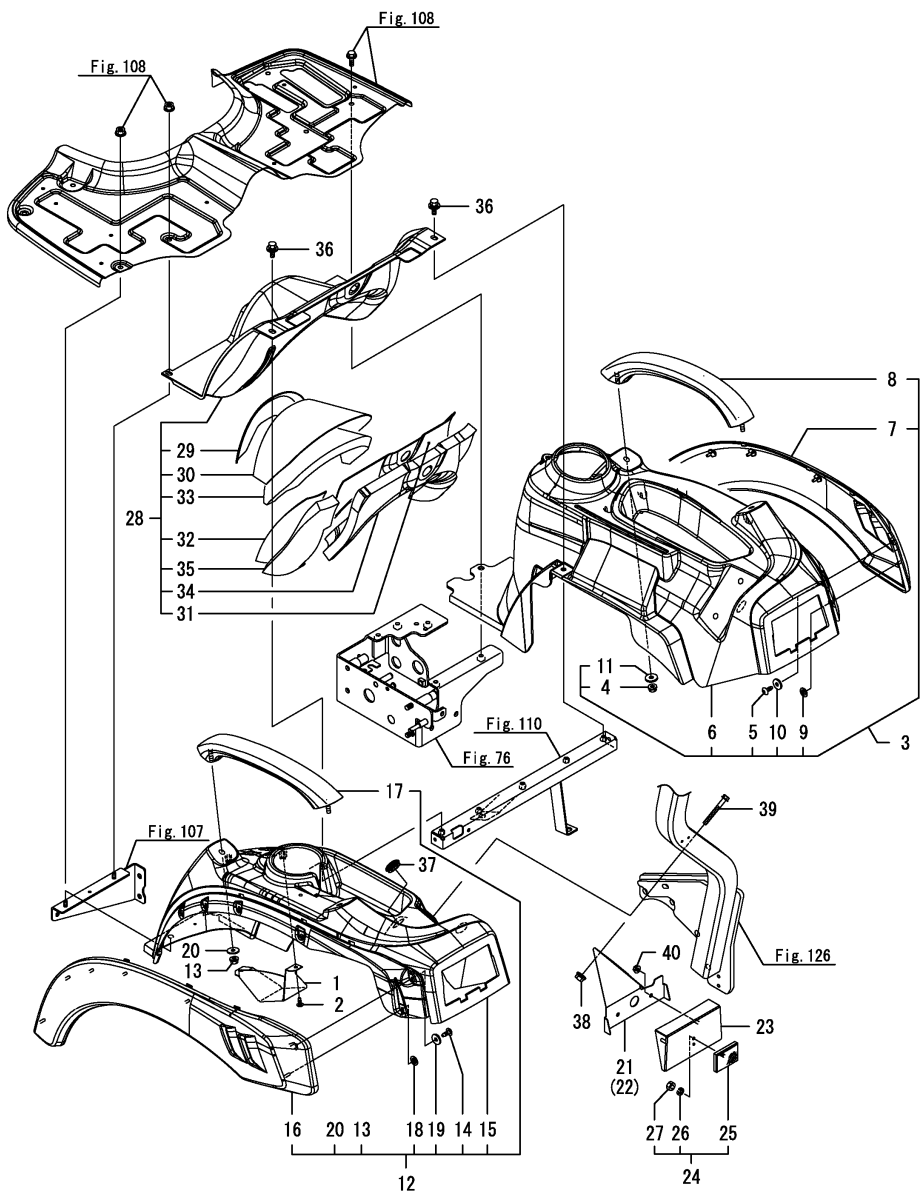


No.	Lev.	Parts No.	Description	Q'ty						I	R
				(A)	(B)	(C)	(D)	(E)	(F)		
1	1	198360-03260	GROMMET, 12	1	1						
2	1	198072-60590	BOLT, M6X20	2	2						
3	1	1A8330-61260	WEATHER-STRIP, 310	1	1						
4	1	1A8330-61600	DASHBOARD, UPPER	1	1						
5	1	1A8332-61650	DASHBOARD, L	1	1						
6	1	1A8330-61661	ISOLATOR, DB L	1	1						
7	1	1A8332-61690	M ASSY,DASHBOARD R	1	1						
8	1	1A8330-61710	ISOLATOR, DB R	1	1						
9	1	198071-61890	NUT, SPEED M6	3	3						
10	1	26106-060122	BOLT, M6X 12 PLATED	4	4						

Remarks

* This figure is applicable to [(A)=F500002][[(B)=F500001] or following machines.
Please refer to Fig.104 before above-mentioned Engine Serial.

Fig.105. FENDER



(A)=SA221,EU
(B)=SA424,EU
(C)=

(D)=
(E)=
(F)=

No.	Lev.	Parts No.	Description	Q'ty						I	R
				(A)	(B)	(C)	(D)	(E)	(F)		
1	1	1A8330-58010	GUARD, HARNESS	1							
2	1	1A7180-61780	SCREW, TAPPING M5X14	2							
3	1	1A8330-62060	FENDER ASSY, R	1							
3-1	1	1A8330-62061 (A=F500002)	FENDER ASSY, R	1							S 1
4	2	194990-22140	NUT, M8	2							
5	2	1A7180-61780	SCREW, TAPPING M5X14	1							
6	2	1A8330-62120	FENDER, R	1							
7	2	1A8330-62210	OVER FENDER, R	1							
7-1	2	1A8330-62211 (A=F500002)	OVER FENDER, R	1							S 1
8	2	1A8330-62300	GRIP, ASSIST	1							
9	2	198071-65610	NUT, SPEED M5	6							
10	2	22157-060000	WASHER, 6	1							
11	2	22157-080000	WASHER, 8	2							
12	1	1A8330-62070	FENDER ASSY, L	1							
12-1	1	1A8330-62071 (A=F500002)	FENDER ASSY, L	1							S 1
13	2	194990-22140	NUT, M8	2							
14	2	1A7180-61780	SCREW, TAPPING M5X14	1							
15	2	1A8330-62080	M ASSY,FENDER L EU	1							
16	2	1A8330-62200	OVER FENDER, L	1							
16-1	2	1A8330-62201 (A=F500002)	OVER FENDER, L	1							S 1
17	2	1A8330-62300	GRIP, ASSIST	1							
18	2	198071-65610	NUT, SPEED M5	6							
19	2	22157-060000	WASHER, 6	1							
20	2	22157-080000	WASHER, 8	2							
21	1	1A8330-62160	STAY, LAMP L	1							
22	1	1A8330-62170	STAY, LAMP R	1							
23	1	1A8330-62250	STAY ASSY, REFLECTOR	2							
24	1	198280-62260	REFLECTOR ASSY	2							
25	2	198280-62270	REFLECTOR	2							
26	2	22217-060000	WASHER, SPRING 6	2							
27	2	26716-060002	NUT, M6	2							
28	1	1A8330-62410	M ASSY, DUST COVER	1							
28-1	1	1A8330-62411 (A=F500002)	M ASSY, DUST COVER	1							N
29	2	1A8330-62420	ISOLATOR, COVER F	1							
30	2	1A8330-62431	ISOLATOR, COVER M	1							
31	2	1A8330-62440	ISOLATOR, COVER R-A	1							
32	2	1A8330-62450	ISOLATOR, COVER R-B	1							
32-1	2	1A8330-62451 (A=F200118)	ISOLATOR, COVER R-B	1							N
33	2	1A8330-62460	ACOUSTIC ABSORBENT,M	1							
34	2	1A8330-62470	ACOUSTIC ABSORBENT,R	1							
35	2	1A8330-62480	ACOUSTIC ABSORBENT,R	1							
36	1	1A6750-62610	BOLT, M8X20	2							
37	1	1A7410-86220	GROMMET 26	1							
38	1	194990-22140	NUT, M8	4							
39	1	26106-080702	BOLT, M8X 70 PLATED	4							

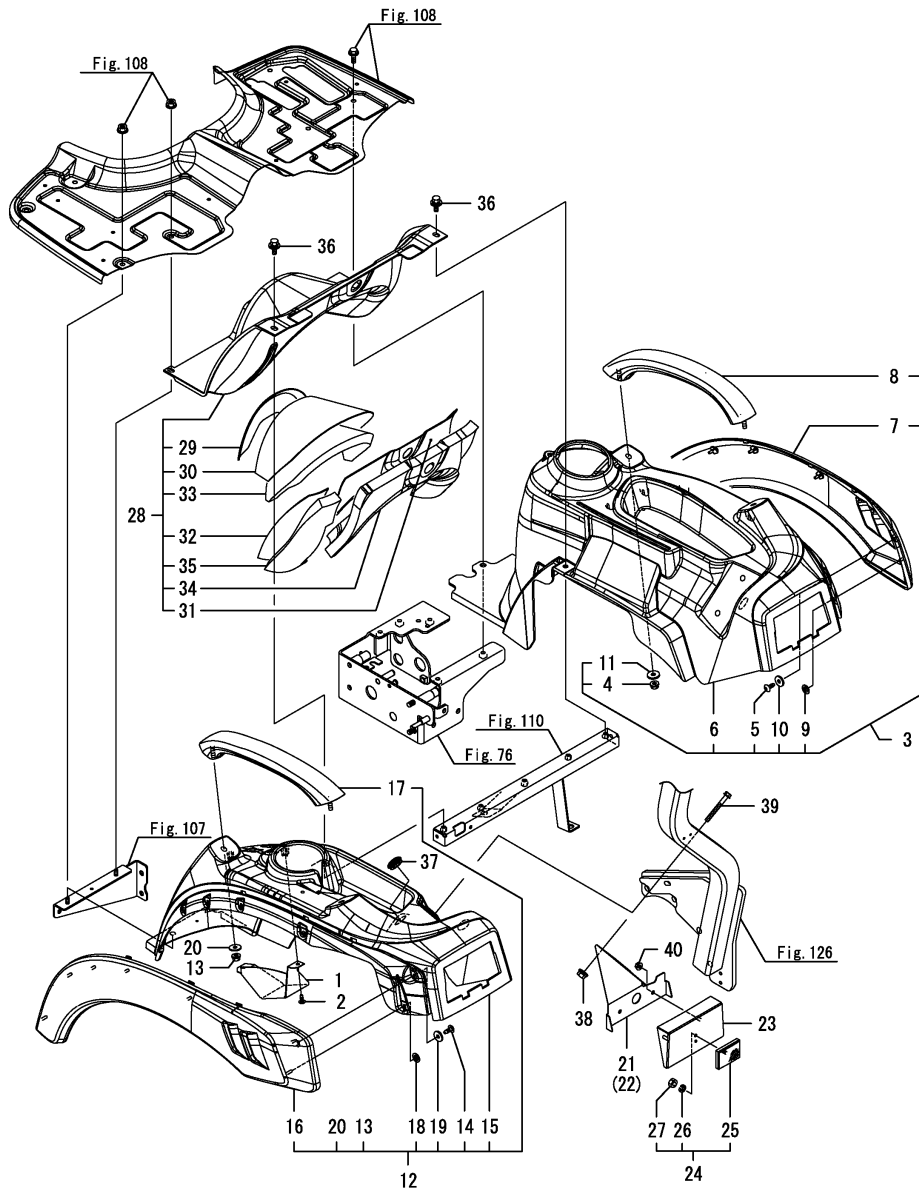
Remarks

(1)Color=No.3, 7, 12 & 16 : YANMAR RED 2, No.3-1, 7-1, 12-1 & 16-1 : YANMAR PREMIUM RED.

Fig.105. FENDER

(A)=SA221,EU
(B)=SA424,EU
(C)=

(D)=
(E)=
(F)=



No.	Lev.	Parts No.	Description	Qty						I	R
				(A)	(B)	(C)	(D)	(E)	(F)		
40	1	194990-22130	NUT, M6	4							

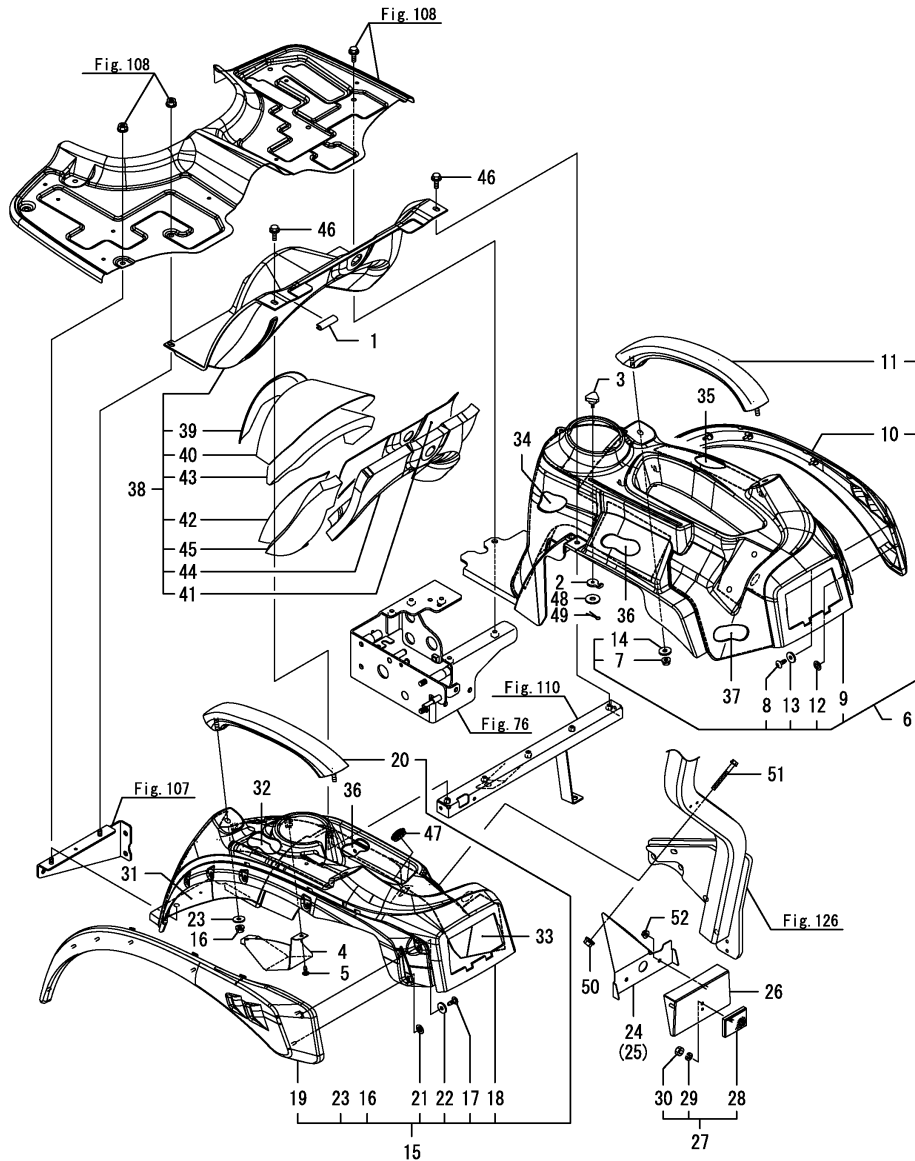
Remarks

(1)Color=No.3, 7, 12 & 16 : YANMAR RED 2, No.3-1, 7-1, 12-1 & 16-1 : YANMAR PREMIUM RED.

Fig.106. FENDER

(A)=SA221,EU
(B)=SA424,EU
(C)=

(D)=
(E)=
(F)=



No.	Lev.	Parts No.	Description	(A)	(B)	Q'ty (C) (D) (E) (F)	I	R
1	1	195616-24930	TRIM		1			
2	1	198121-47111	STOPPER, LEVER		1			
3	1	194130-47851	BOLT, KNOB M6X15		1			
4	1	1A8330-58010	GUARD, HARNESS		1			
5	1	1A7180-61780	SCREW, TAPPING M5X14		2			
6	1	1A8320-62060	FENDER ASSY, R		1			
6-1	1	1A8320-62061	FENDER ASSY, R (B=F500001)		1		S	1
7	2	194990-22140	NUT, M8		2			
8	2	1A7180-61780	SCREW, TAPPING M5X14		1			
9	2	1A8330-62120	FENDER, R		1			
10	2	1A8320-62210	OVER FENDER, R		1			
10-1	2	1A8320-62211	OVER FENDER, R (B=F500001)		1		S	1
11	2	1A8330-62300	GRIP, ASSIST		1			
12	2	198071-65610	NUT, SPEED M5		6			
13	2	22157-060000	WASHER, 6		1			
14	2	22157-080000	WASHER, 8		2			
15	1	1A8320-62070	FENDER ASSY, L		1			
15-1	1	1A8320-62071	FENDER ASSY, L (B=F500001)		1		S	1
16	2	194990-22140	NUT, M8		2			
17	2	1A7180-61780	SCREW, TAPPING M5X14		1			
18	2	1A8330-62080	M ASSY,FENDER L EU		1			
19	2	1A8320-62200	OVER FENDER, L		1			
19-1	2	1A8320-62201	OVER FENDER, L (B=F500001)		1		S	1
20	2	1A8330-62300	GRIP, ASSIST		1			
21	2	198071-65610	NUT, SPEED M5		6			
22	2	22157-060000	WASHER, 6		1			
23	2	22157-080000	WASHER, 8		2			
24	1	1A8330-62160	STAY, LAMP L		1			
25	1	1A8330-62170	STAY, LAMP R		1			
26	1	1A8330-62250	STAY ASSY, REFLECTOR		2			
27	1	198280-62260	REFLECTOR ASSY		2			
28	2	198280-62270	REFLECTOR		2			
29	2	22217-060000	WASHER, SPRING 6		2			
30	2	26716-060002	NUT, M6		2			
31	1	1A8330-62320	ISOLATOR, FENDER L-F		1			
32	1	1A8330-62331	ISOLATOR,FENDER L-MA		1			
33	1	1A8330-62350	ISOLATOR,FENDER L-R		1			
34	1	1A8330-62360	ISOLATOR, FENDER R-F		1			
35	1	1A8330-62370	ISOLATOR,FENDER R-MA		1			
36	1	1A8330-62380	ISOLATOR,FENDER R-MB		2			
37	1	1A8330-62390	ISOLATOR,FENDER R-R		1			
38	1	1A8330-62410	M ASSY, DUST COVER		1			
38-1	1	1A8330-62411	M ASSY, DUST COVER (B=F500001)		1			N
39	2	1A8330-62420	ISOLATOR, COVER F		1			
40	2	1A8330-62430	ISOLATOR, COVER M		1			
40-1	2	1A8330-62431	ISOLATOR, COVER M		1			N

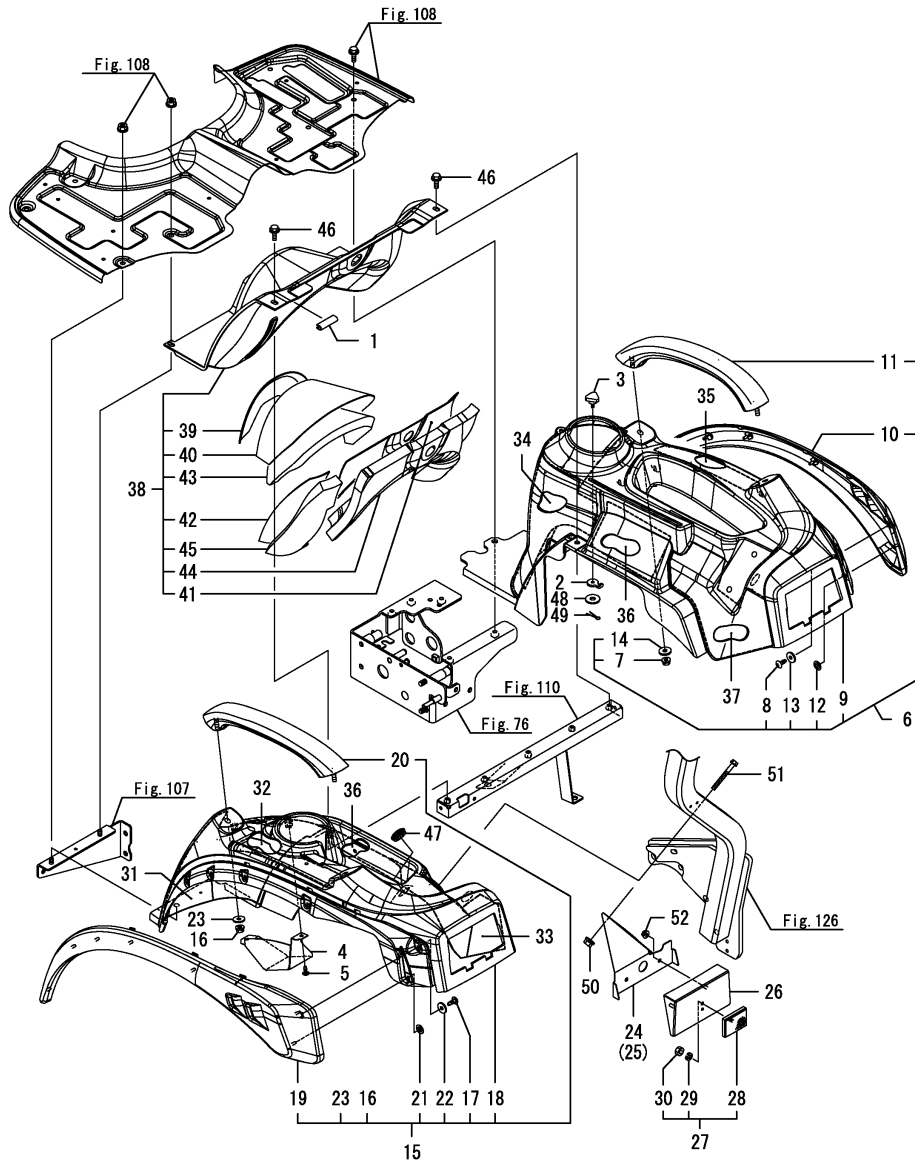
Remarks

(1)Color=No.6, 10, 15 & 19 : YANMAR RED 2, No.6-1, 10-1, 15-1 & 19-1 : YANMAR PREMIUM RED.

Fig.106. FENDER

(A)=SA221,EU
(B)=SA424,EU
(C)=

(D)=
(E)=
(F)=



No.	Lev.	Parts No.	Description	Q'ty						I	R
				(A)	(B)	(C)	(D)	(E)	(F)		
(B=F200132)											
41	2	1A8330-62440	ISOLATOR, COVER R-A		1						
42	2	1A8330-62451	ISOLATOR, COVER R-B		1						
43	2	1A8330-62460	ACOUSTIC ABSORBENT,M		1						
44	2	1A8330-62470	ACOUSTIC ABSORBENT,R		1						
45	2	1A8330-62480	ACOUSTIC ABSORBENT,R		1						
46	1	1A6750-62610	BOLT, M8X20		2						
47	1	1A7410-86220	GROMMET 26		1						
48	1	22157-080000	WASHER, 8		1						
49	1	22417-200160	PIN, COTTER 2.0X16		1						
50	1	194990-22140	NUT, M8		4						
51	1	26106-080702	BOLT, M8X 70 PLATED		4						
52	1	194990-22130	NUT, M6		4						

Remarks

(1)Color=No.6, 10, 15 & 19 : YANMAR RED 2, No.6-1, 10-1, 15-1 & 19-1 : YANMAR PREMIUM RED.

Fig.107. STEP STAY

(A)=SA221,EU
 (B)=SA424,EU
 (C)=

(D)=
 (E)=
 (F)=

No.	Lev.	Parts No.	Description	Qty						I	R
				(A)	(B)	(C)	(D)	(E)	(F)		
1	1	1A8330-62550	STAY ASSY, STEP	2	2						
2	1	26106-100202	BOLT, M10X 20 PLATED	4	4						

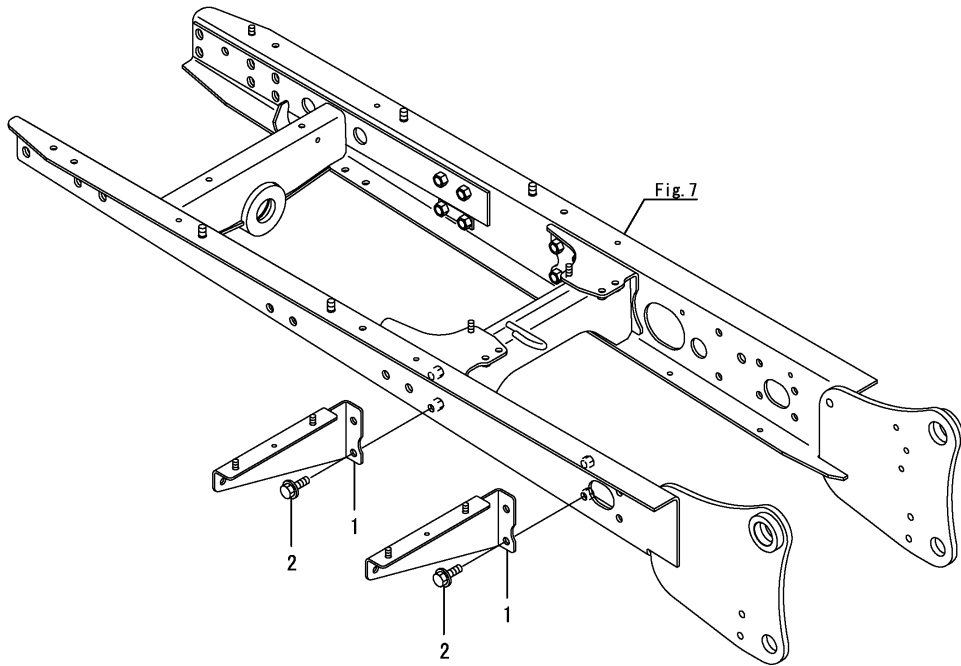
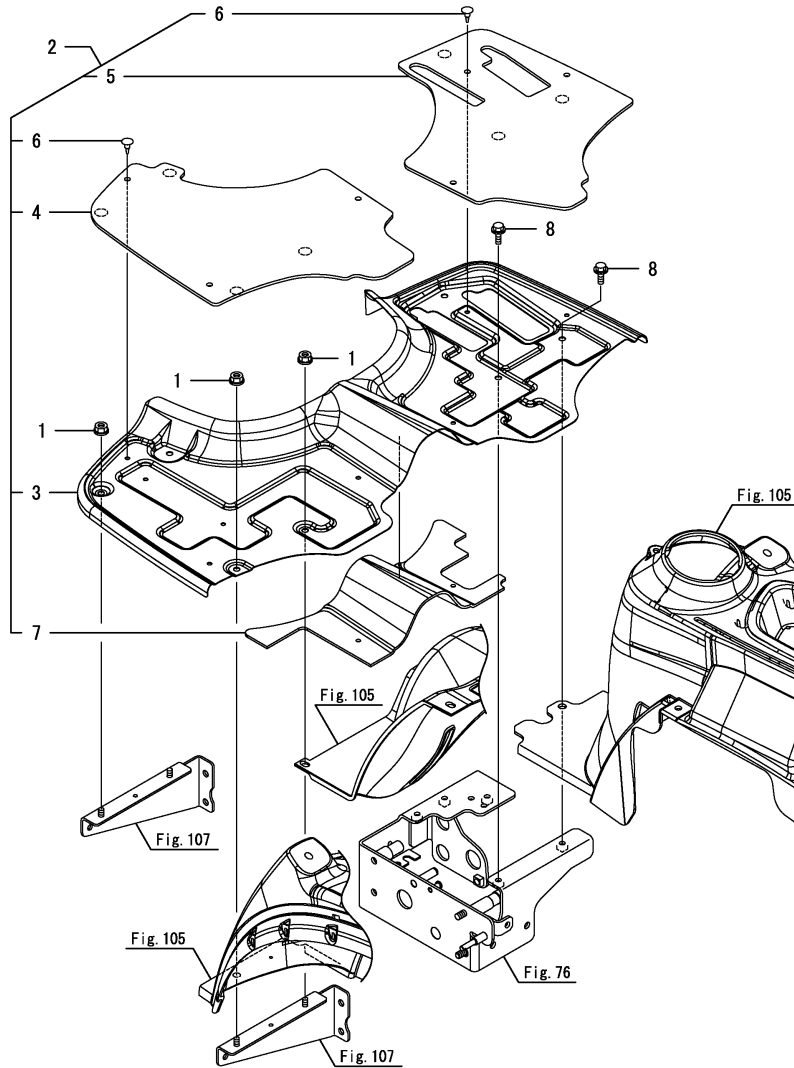


Fig.108. STEP

(A)=SA221,EU
(B)=SA424,EU
(C)=

(D)=
(E)=
(F)=



No.	Lev.	Parts No.	Description	Q'ty						I	R
				(A)	(B)	(C)	(D)	(E)	(F)		
1	1	194990-22140	NUT, M8	4	4						
2	1	1A8330-62600	STEP ASSY	1	1						
3	2	1A8330-62510	STEP	1	1						
4	2	1A8330-62521	SHEET, STEP L	1	1						
5	2	1A8330-62531	SHEET, STEP R	1	1						
6	2	194697-62560	CLIP, HOLE CAP	6	6						
7	2	1A8330-62580	INSULATOR, STEP	1	1						
8	1	26106-080252	BOLT, M8X 25 PLATED	3	3						

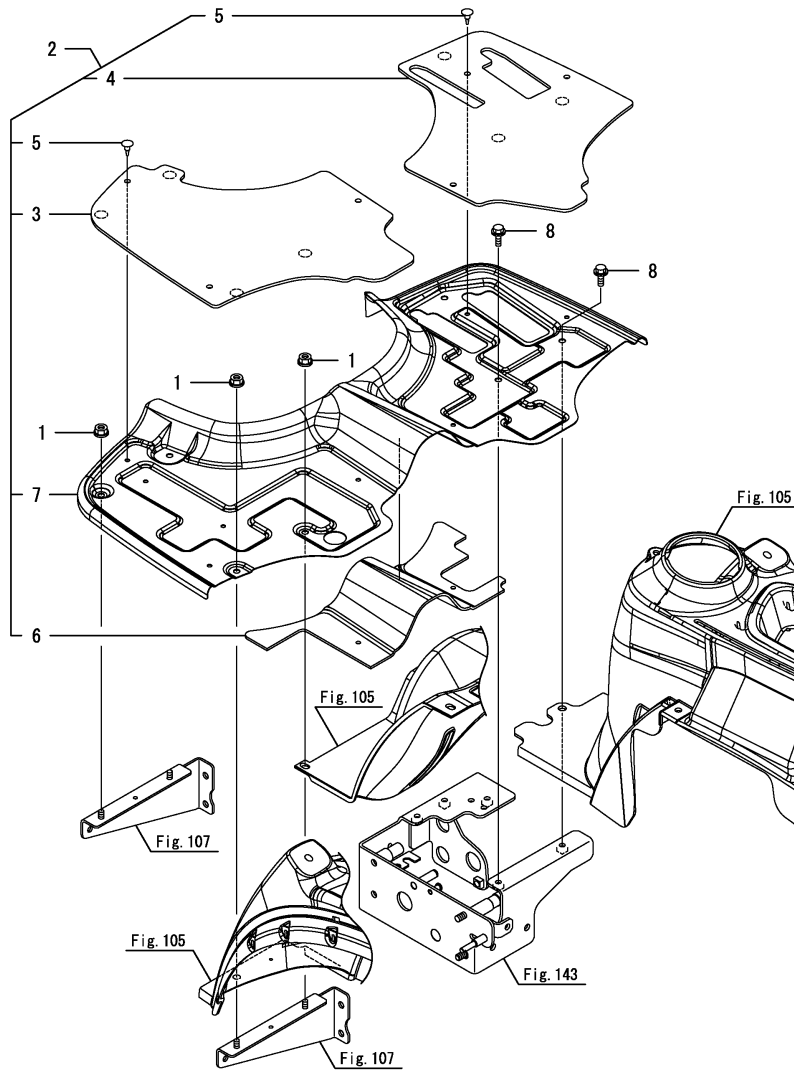
Remarks

* This figure is applicable to [(A)=F500001][(B)=F500000] or previous machines.
Please refer to Fig.151(or 152) since above-mentioned Engine Serial.

Fig.151. (108A)STEP

(A)=SA221,EU
(B)=SA424,EU
(C)=

(D)=
(E)=
(F)=



No.	Lev.	Parts No.	Description	Q'ty						I	R
				(A)	(B)	(C)	(D)	(E)	(F)		
1	1	194990-22140	NUT, M8	4							
2	1	1A8330-62750	STEP ASSY	1							
3	2	1A8330-62521	SHEET, STEP L	1							
4	2	1A8330-62531	SHEET, STEP R	1							
5	2	194697-62560	CLIP, HOLE CAP	6							
6	2	1A8330-62580	INSULATOR, STEP	1							
7	2	1A8330-62660	STEP	1							
8	1	26106-080252	BOLT, M8X 25 PLATED	3							

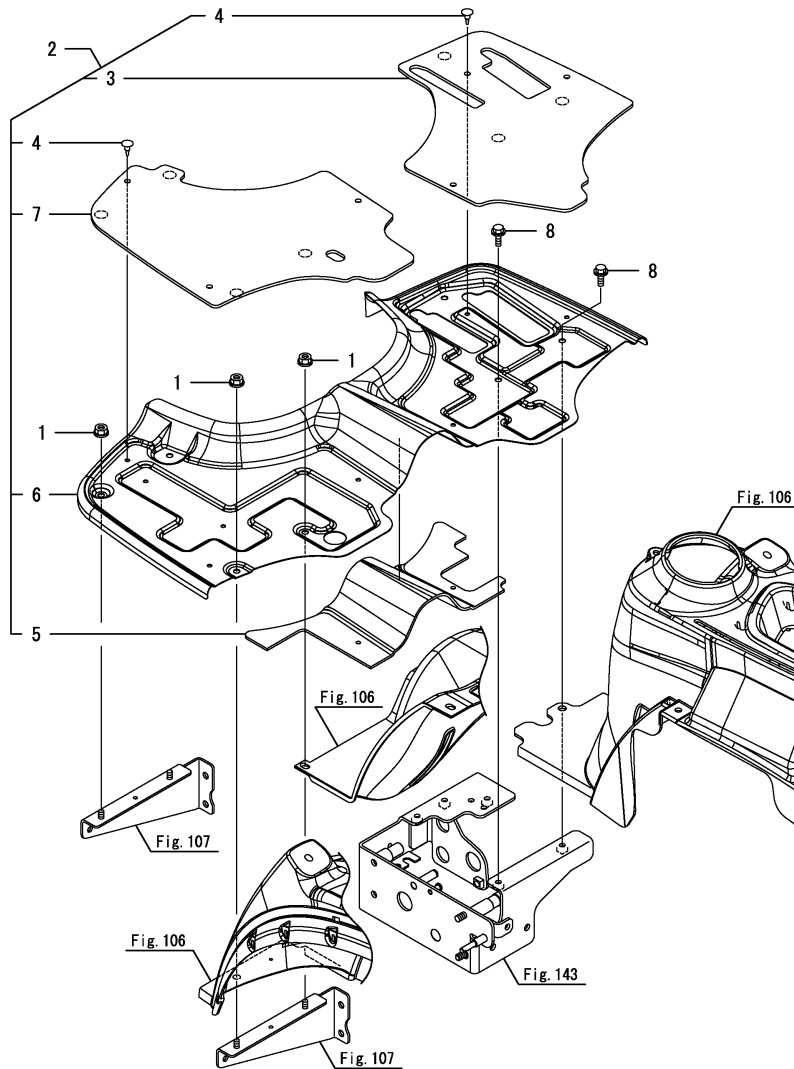
Remarks

* This figure is applicable to [(A)=F500002] or following machines.
Please refer to Fig.108 before above-mentioned Engine Serial.

Fig.152. (108B)STEP

(A)=SA221,EU
(B)=SA424,EU
(C)=

(D)=
(E)=
(F)=



No.	Lev.	Parts No.	Description	Q'ty						I	R
				(A)	(B)	(C)	(D)	(E)	(F)		
1	1	194990-22140	NUT, M8		4						
2	1	1A8320-62600	STEP ASSY		1						
3	2	1A8330-62531	SHEET, STEP R		1						
4	2	194697-62560	CLIP, HOLE CAP		6						
5	2	1A8330-62580	INSULATOR, STEP		1						
6	2	1A8330-62660	STEP		1						
7	2	1A8330-67970	SHEET, STEP L		1						
8	1	26106-080252	BOLT, M8X 25 PLATED		3						

Remarks
* This figure is applicable to [(B)=F500001] or following machines.
Please refer to Fig.108 before above-mentioned Engine Serial.

Fig.109. SUB STEP

(A)=SA221,EU
 (B)=SA424,EU
 (C)=

(D)=
 (E)=
 (F)=

No.	Lev.	Parts No.	Description	Q'ty						I	R
				(A)	(B)	(C)	(D)	(E)	(F)		
1	1	194990-22140	NUT, M8		4						
2	1	1A8240-62561-1	SUB-STEP ASSY,		1						
3	1	26106-080162	BOLT, M8X 16 PLATED		4						

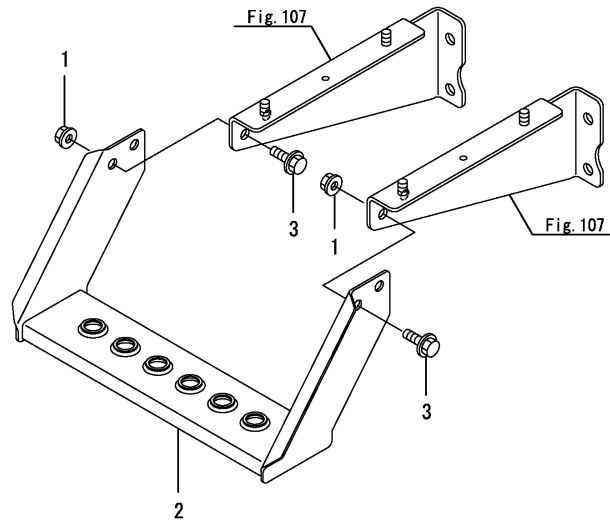
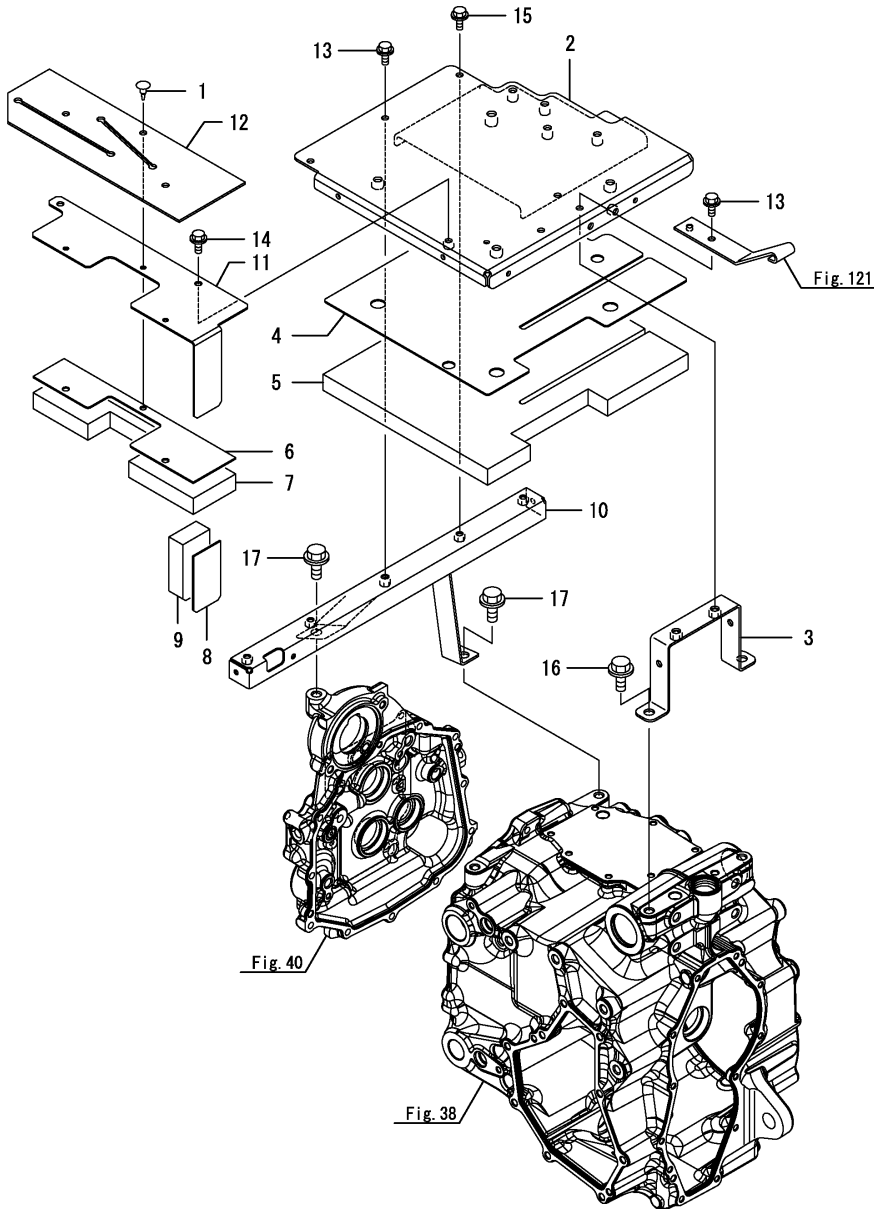


Fig.110. SEAT STAY

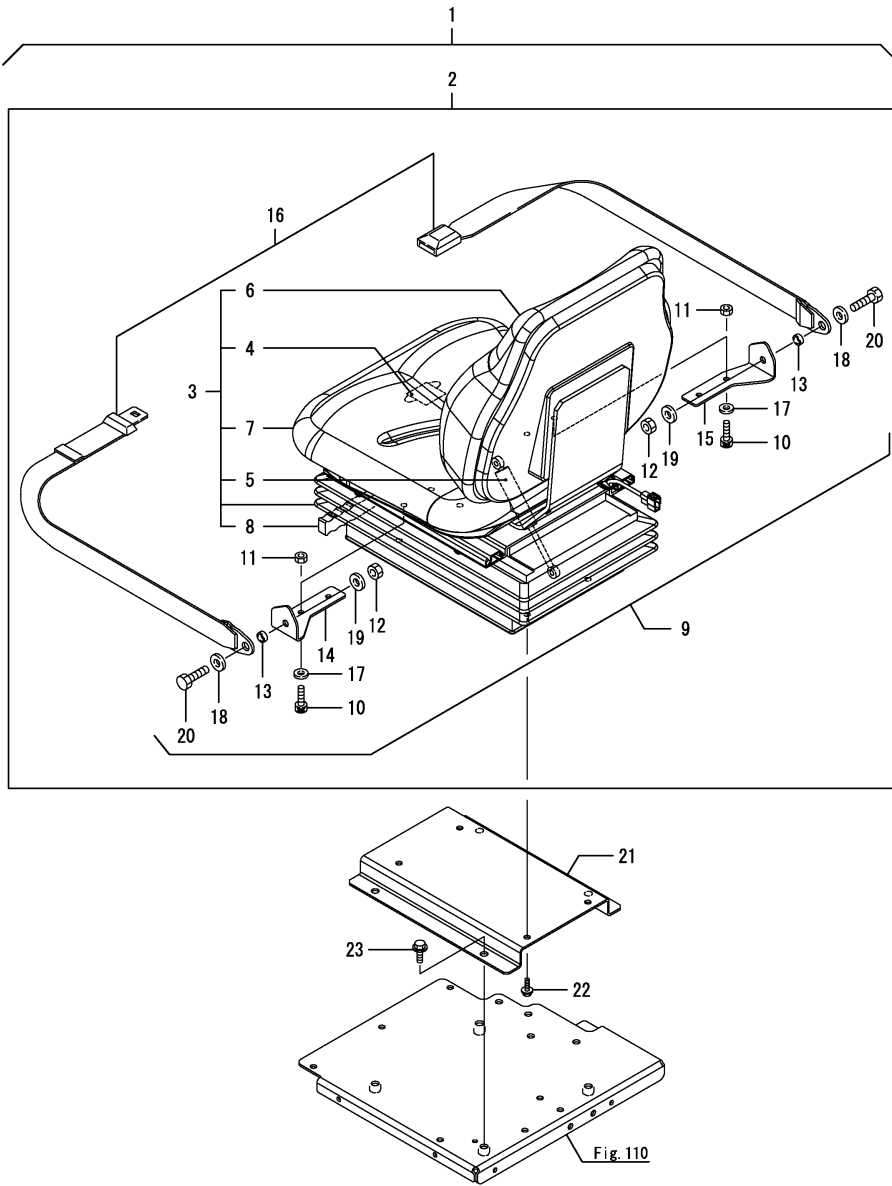
(A)=SA221,EU
(B)=SA424,EU
(C)=

(D)=
(E)=
(F)=



No.	Lev.	Parts No.	Description	Q'ty						I	R
				(A)	(B)	(C)	(D)	(E)	(F)		
1	1	194697-62560	CLIP, HOLE CAP	3	3						
2	1	1A8330-63250	PLATE ASSY, RAIL	1	1						
3	1	1A8330-63301	STAY ASSY, RAIL REAR	1	1						
4	1	1A8330-63320	ISOLATOR, SEAT BKT	1	1						
5	1	1A8330-63330	ACOUSTIC ABSORBENT	1	1						
6	1	1A8330-63340	ISOLATOR, LEVER BKT A	1	1						
7	1	1A8330-63370	ACOUSTIC ABSORBENT, A	1	1						
8	1	1A8330-63380	ISOLATOR, LEVER BKT B	1	1						
9	1	1A8330-63390	ACOUSTIC ABSORBENT, B	1	1						
10	1	1A8330-63400	STAY ASSY, RAIL FRNT	1	1						
10-1	1	1A8330-63401	STAY ASSY, RAIL FRNT	1	1						N
		(A=F500002) (B=F500001)									
11	1	1A8330-63600	COVER, L	1	1						
12	1	1A8330-63610	RUBBER, COVER	1	1						
13	1	26106-080202	BOLT, M8X 20 PLATED	3	3						
14	1	26106-080202	BOLT, M8X 20 PLATED	2	2						
15	1	26106-080252	BOLT, M8X 25 PLATED	1	1						
16	1	26106-120252	BOLT, M12X 25 PLATED	2	2						
17	1	26106-120252	BOLT, M12X 25 PLATED	2	2						

Fig.111. SEAT



(A)=SA221,EU
(B)=SA424,EU
(C)=

(D)=
(E)=
(F)=

No.	Lev.	Parts No.	Description	Q'ty						I	R
				(A)	(B)	(C)	(D)	(E)	(F)		
1	1	1A8330-63700	SEAT ASSY	1	1						
2	2	198280-63100	SEAT, OPERATOR	1	1						
3	3	198280-63112	SEAT ASSY, OPERATOR	1	1						
4	4	198280-63140	SWITCH, SEAT	1	1						
5	4	198280-63150	ABSORBER, SHOCK	1	1						
6	4	198280-63160	BACKREST, PVC	1	1						
7	4	198280-63180	CUSHION, PVC	1	1						
8	4	198280-63340	LEVER, ADJUST	1	1						
9	3	198280-63200	BELT, SEAT COBO	1	1						
10	4	198280-63220	BOLT, M8X14	4	4						
11	4	198280-63230	NUT, 8	4	4						
12	4	198280-63240	NUT, 10	2	2						
13	4	198280-63270	COLLAR, 10.5X15X5.5	2	2						
14	4	198280-63280	STAY, R SEATBELT	1	1						
15	4	198280-63290	STAY, L SEATBELT	1	1						
16	4	198280-63300	SEATBELT	1	1						
17	4	22117-080000	WASHER, 8	4	4						
18	4	22137-100000	WASHER, 10	2	2						
19	4	22137-100000	WASHER, 10	2	2						
20	4	26296-100252	BOLT, M10X 25	2	2						
21	2	1A8330-63750	PLATE, SEAT MOUNT	1	1						
22	2	26106-080162	BOLT, M8X 16 PLATED	4	4						
23	1	26106-100202	BOLT, M10X 20 PLATED	4	4						

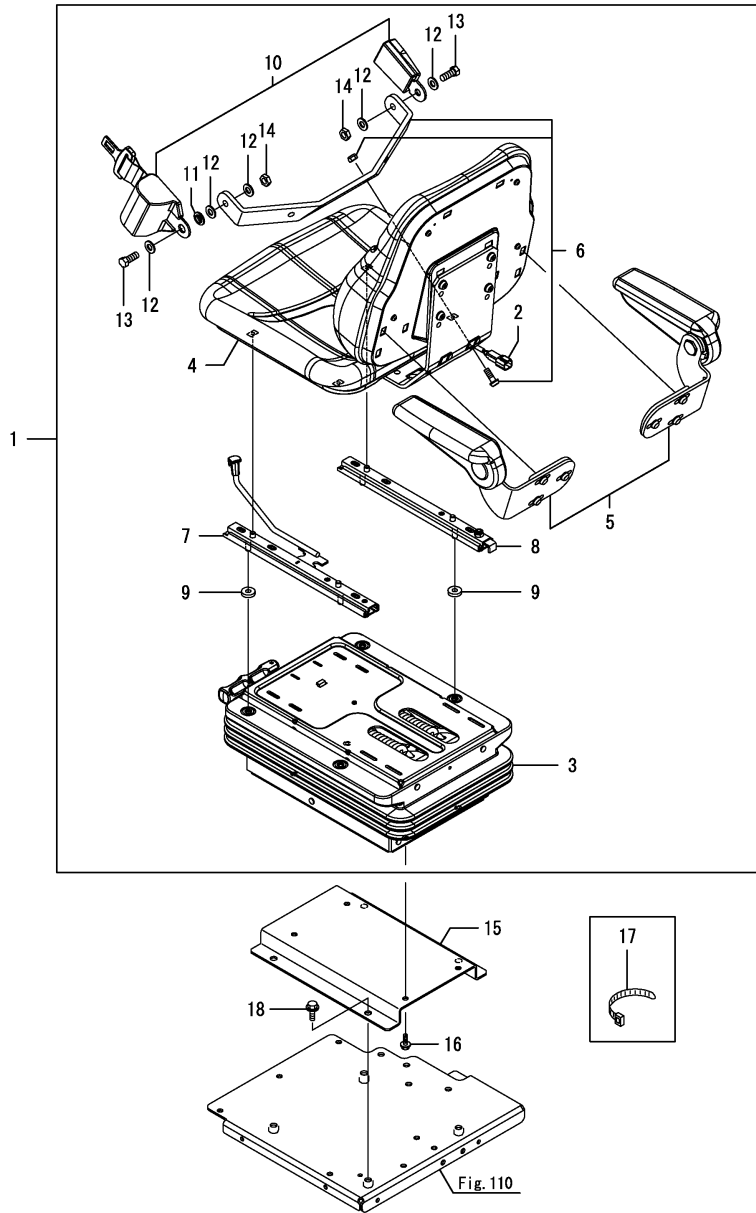
Remarks

* This figure is applicable to [(A)=F500001][[(B)=F500000] or previous machines.
Please refer to Fig.153 since above-mentioned Engine Serial.

Fig.153. (111A)SEAT

(A)=SA221,EU
(B)=SA424,EU
(C)=

(D)=
(E)=
(F)=



No.	Lev.	Parts No.	Description	Q'ty						I	R
				(A)	(B)	(C)	(D)	(E)	(F)		
1	1	1A8406-63100	SEAT KIT, PVC BLACK	1	1						
2	2	1A8426-52300	SWITCH, SEAT	1	1						
3	2	1A8406-63120	SUSPENSION ASSY,SEAT	1	1						
4	2	1A8406-63130	SEAT ASSY, PVC BLACK	1	1						
5	2	1A8406-63140	ARMREST KIT	1	1						
6	2	1A8406-63160	BRACKET, SEATBELT	1	1						
7	2	1A8406-63170	RAIL ASSY,L W HANDLE	1	1						
8	2	1A8406-63180	RAIL ASSY, R	1	1						
9	2	1A8406-63190	SPACER, SEAT RAIL	4	4						
10	2	1A8406-63310	SEATBELT ASSY,RETRAC	1	1						
11	2	1A8406-63340	COLLAR, SEATBELT	1	1						
12	2	22137-100000	WASHER, 10	5	5						
13	2	26156-100252	BOLT, M10X 25 PLATED	2	2						
14	2	26696-100002	NUT, LOCK M10	2	2						
15	1	1A8330-63750	PLATE, SEAT MOUNT	1	1						
16	1	26106-080162	BOLT, M8X 16 PLATED	4	4						
17	1	29622-250001	BAND, RF250	1	1						
18	1	26106-100202	BOLT, M10X 20 PLATED	4	4						

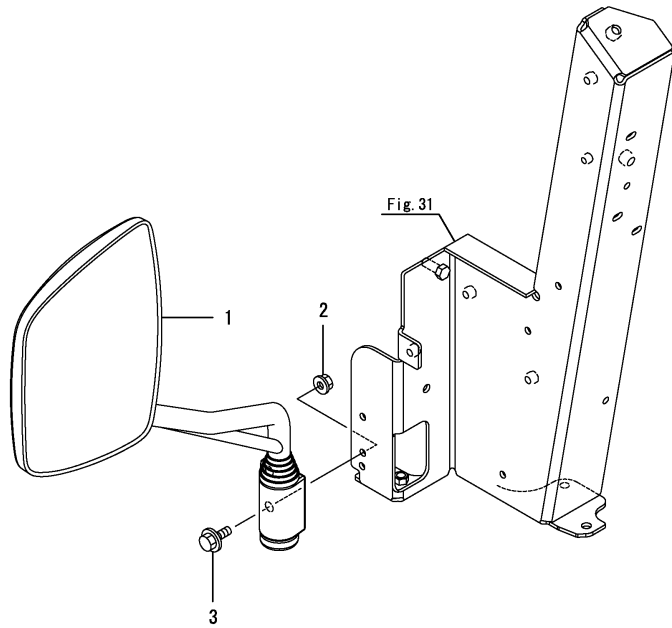
Remarks

* This figure is applicable to [(A)=F500002][[(B)=F500001] or following machines.
Please refer to Fig.111 before above-mentioned Engine Serial.

Fig.112. REARVIEW MIRROR

(A)=SA221,EU
(B)=SA424,EU
(C)=

(D)=
(E)=
(F)=



No.	Lev.	Parts No.	Description	Q'ty						I	R
				(A)	(B)	(C)	(D)	(E)	(F)		
1	1	1A8330-64600	MIRROR ASSY,REAR L	1	1						
2	1	194990-22130	NUT, M6	2	2						
3	1	26106-060162	BOLT, M6X 16 PLATED	2	2						

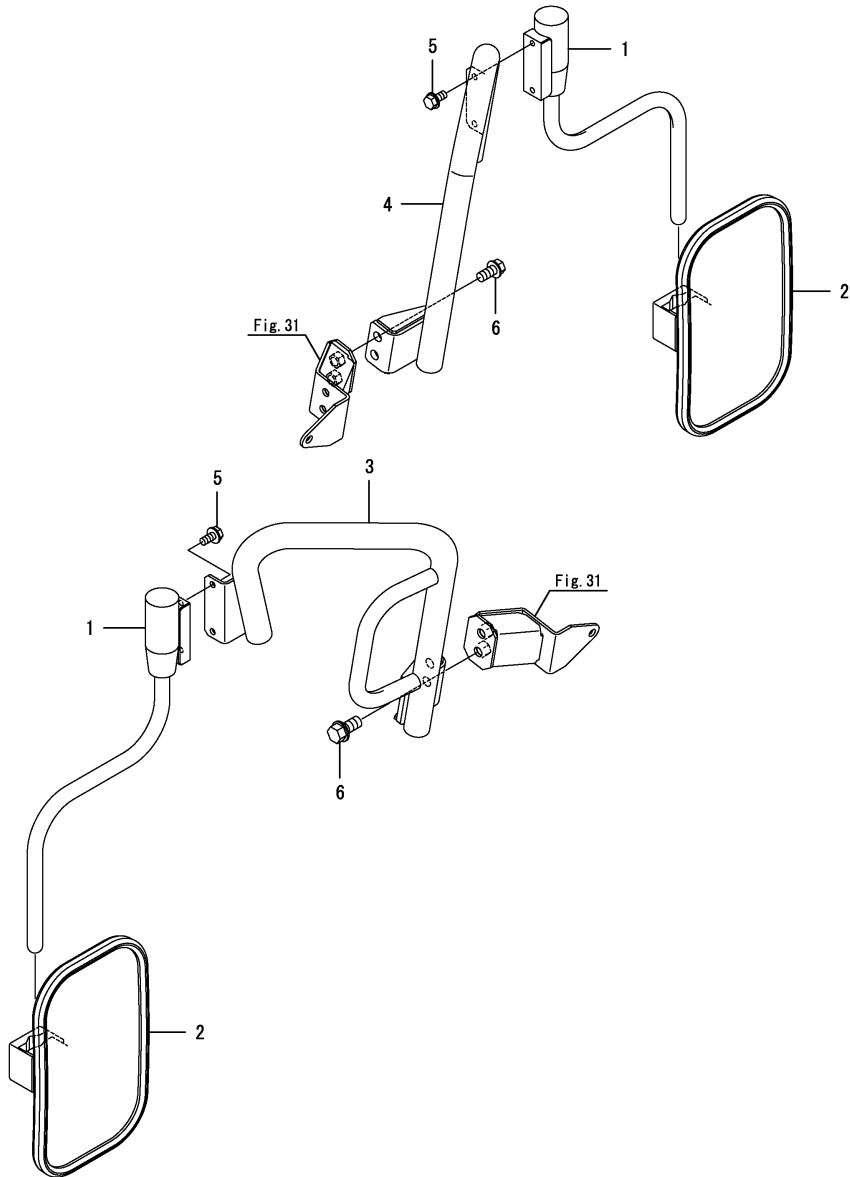
Remarks

* This figure is applicable to [(A)=F500001][(B)=F500000] or previous machines.
Please refer to Fig.154 since above-mentioned Engine Serial.

Fig.154. (112A)REARVIEW MIRROR

(A)=SA221,EU
(B)=SA424,EU
(C)=

(D)=
(E)=
(F)=



No.	Lev.	Parts No.	Description	Q'ty						I	R
				(A)	(B)	(C)	(D)	(E)	(F)		
1	1	1A8300-61750	ARM ASSY, MIRROR	2	2						
2	1	1A7100-64110	MIRROR ASSY,REARVIEW	2	2						
3	1	1A8332-64930	STAY ASSY, MIRROR LH	1	1						
4	1	1A8332-64980	STAY ASSY, MIRROR RH	1	1						
5	1	26106-060122	BOLT, M6X 12 PLATED	4	4						
6	1	26106-100202	BOLT, M10X 20 PLATED	4	4						

Remarks

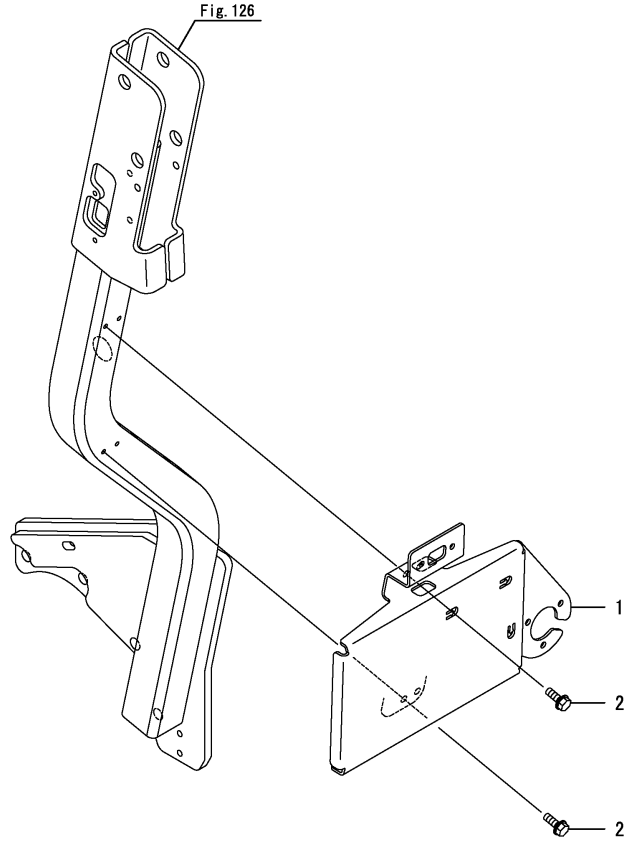
* This figure is applicable to [(A)=F500002][[(B)=F500001] or following machines.
Please refer to Fig.112 before above-mentioned Engine Serial.

Fig.113. BRACKET(LICENCE)

(A)=SA221,EU
(B)=SA424,EU
(C)=

(D)=
(E)=
(F)=

No.	Lev.	Parts No.	Description	Q'ty						I	R
				(A)	(B)	(C)	(D)	(E)	(F)		
1	1	1A8330-64700	HOLDER, LICENSE	1	1						
2	1	26106-060162	BOLT, M6X 16 PLATED	4	4						



Remarks

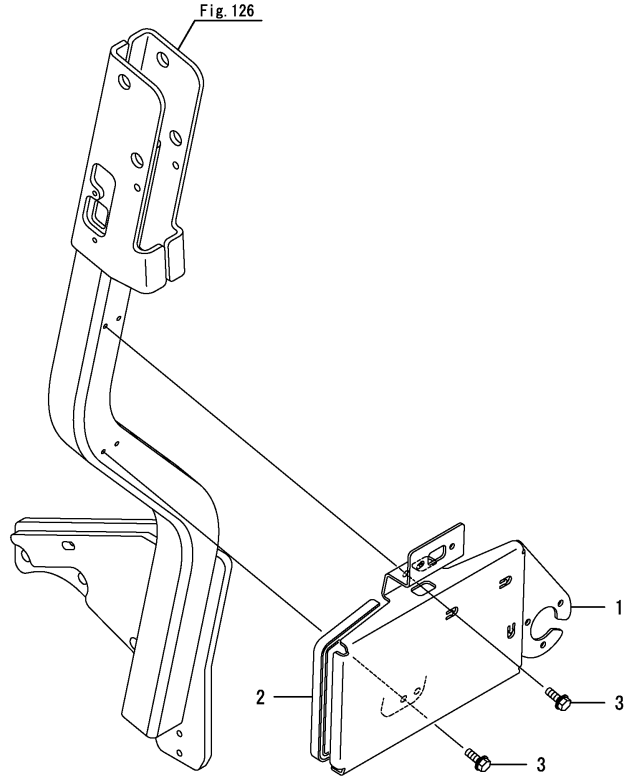
* This figure is applicable to [(A)=F500001][[(B)=F500000] or previous machines.
Please refer to Fig.155 since above-mentioned Engine Serial.

Fig.155. (113A)BRACKET(LICENSE)

(A)=SA221,EU
(B)=SA424,EU
(C)=

(D)=
(E)=
(F)=

No.	Lev.	Parts No.	Description	Q'ty						I	R
				(A)	(B)	(C)	(D)	(E)	(F)		
1	1	1A8330-64700	HOLDER, LICENSE	1	1						
2	1	1A8332-64710	PROTECTOR, 385	1	1						
3	1	26106-060162	BOLT, M6X 16 PLATED	4	4						



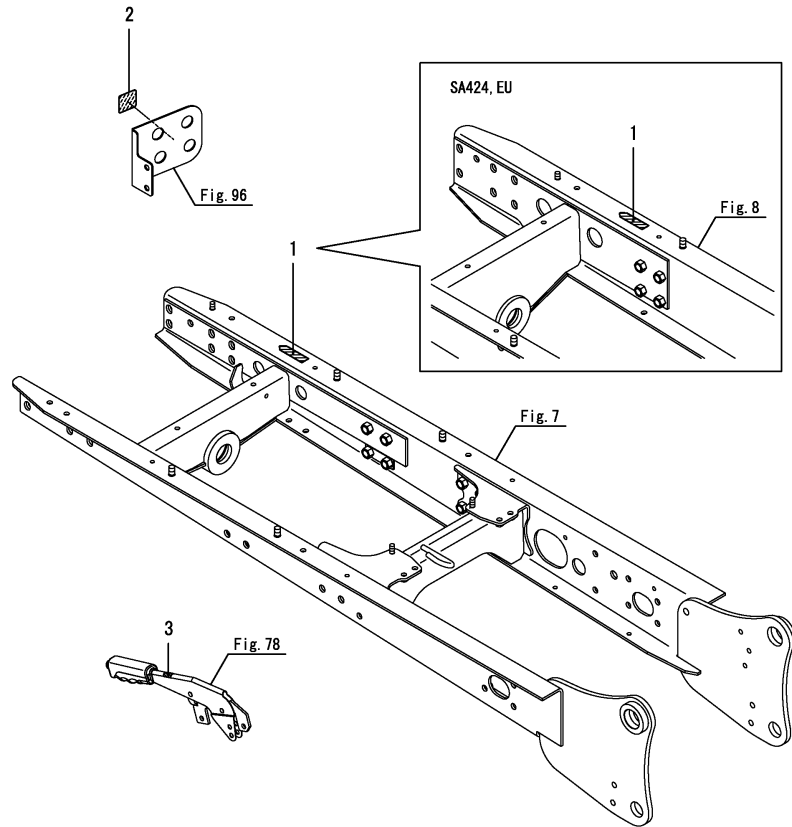
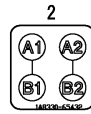
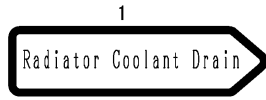
Remarks

* This figure is applicable to [(A)=F500002][[(B)=F500001] or following machines.
Please refer to Fig.113 before above-mentioned Engine Serial.

Fig.114. LABEL(1)

(A)=SA221,EU
(B)=SA424,EU
(C)=

(D)=
(E)=
(F)=



No.	Lev.	Parts No.	Description	Qty						I	R
				(A)	(B)	(C)	(D)	(E)	(F)		
1	1	1A7340-65080	LABEL, DRAIN	1	1						
2	1	1A8330-65432	LABEL, SCV COUPLER	1	1						
3	1	1A7874-65470	LABEL, PARKING BRAKE	1	1						W
				(A=F200116)	(B=F200114)						

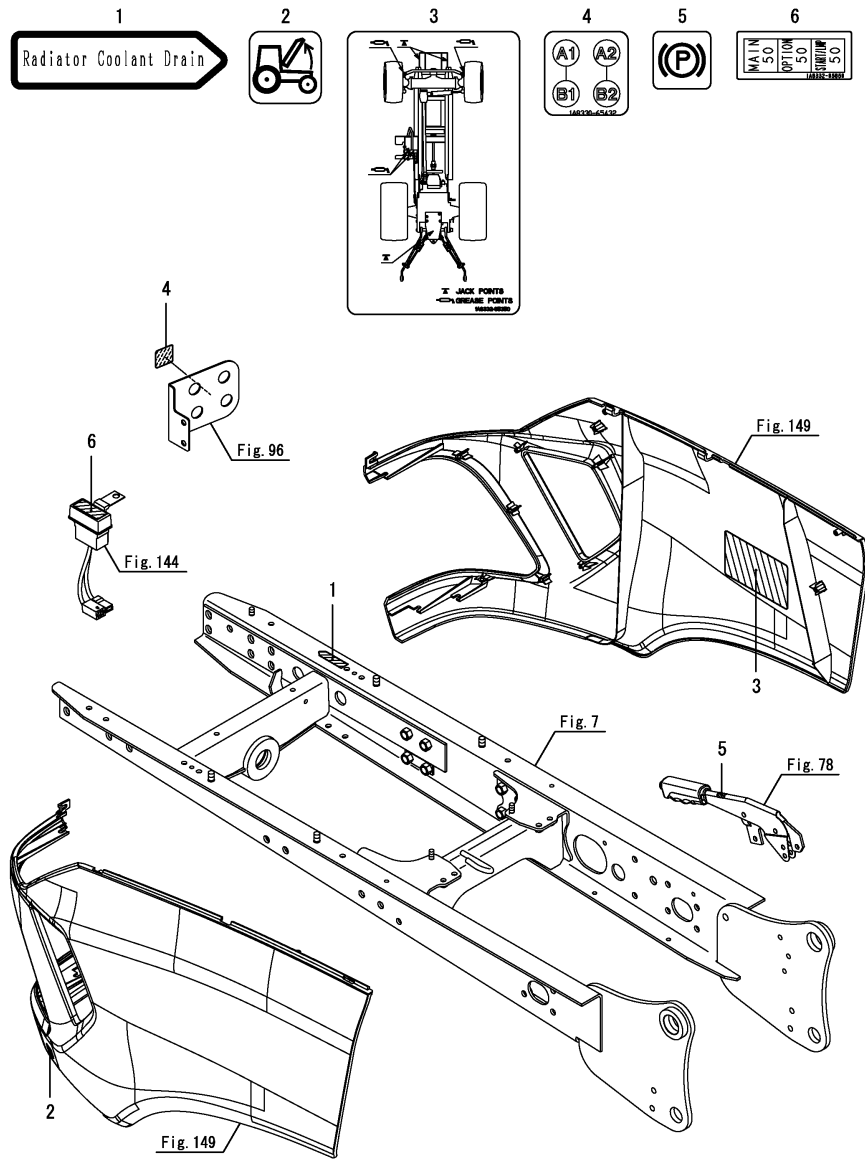
Remarks

* This figure is applicable to [(A)=F500001][(B)=F500000] or previous machines.
Please refer to Fig.156 since above-mentioned Engine Serial.

Fig.156. (114A)LABEL(1)

(A)=SA221,EU
(B)=SA424,EU
(C)=

(D)=
(E)=
(F)=



No.	Lev.	Parts No.	Description	Q'ty						I	R
				(A)	(B)	(C)	(D)	(E)	(F)		
1	1	1A7340-65080	LABEL, DRAIN	1	1						
2	1	1A8406-65270	LABEL, TOOL OPEN	1	1						
3	1	1A8332-65350	LABEL, JACK&GREASE	1	1						
4	1	1A8330-65432	LABEL, SCV COUPLER	1	1						
5	1	1A7874-65470	LABEL, PARKING BRAKE	1	1						
6	1	1A8332-65850	LABEL, FUSE	1	1						

Remarks

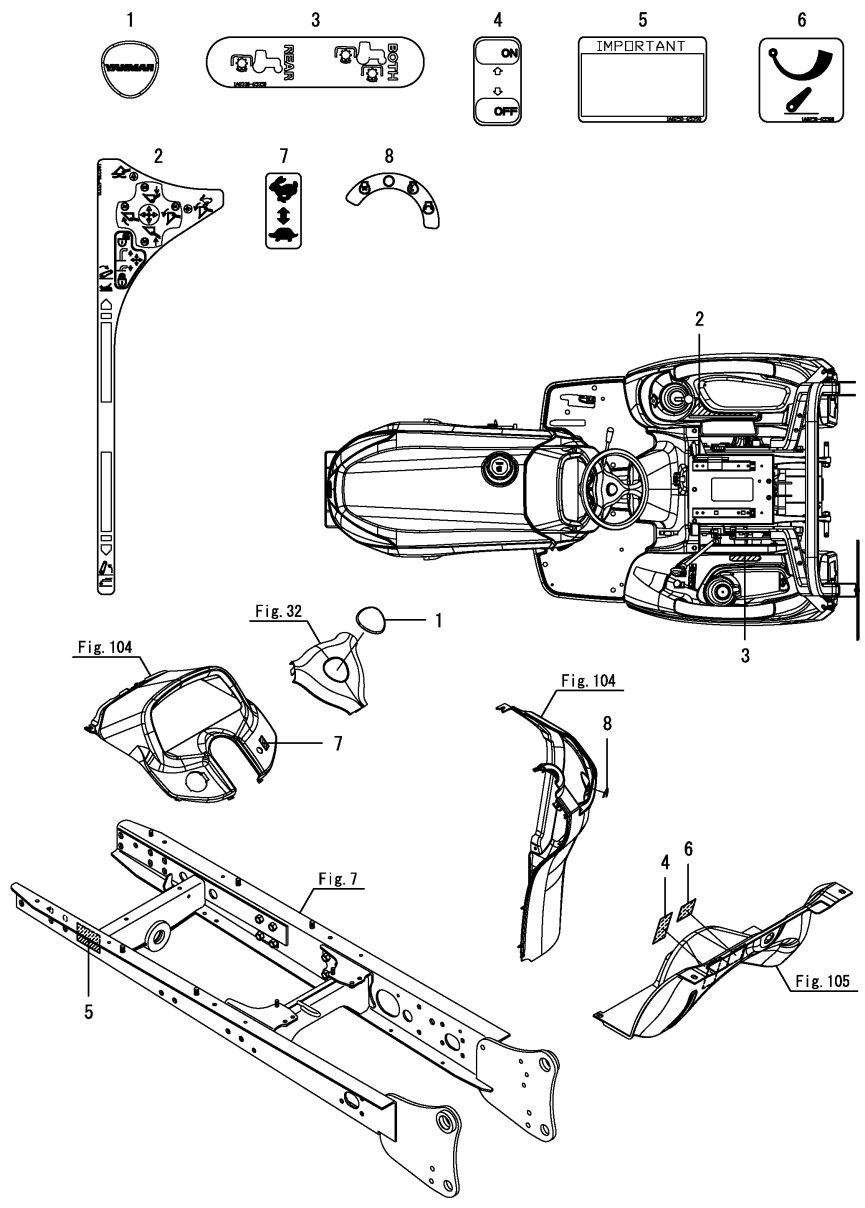
* This figure is applicable to [(A)=F500002][[(B)=F500001] or following machines.
Please refer to Fig.114 before above-mentioned Engine Serial.

Fig.115. LABEL(2)

(A)=SA221,EU
(B)=SA424,EU
(C)=

(D)=
(E)=
(F)=

No.	Lev.	Parts No.	Description	Q'ty						I	R
				(A)	(B)	(C)	(D)	(E)	(F)		
1	1	1A7880-15880	PLATE, HANDLE	1							
2	1	1A8330-65331	LABEL, SCV LEVER	1							
3	1	1A8330-65350	LABEL, PTO LEVER	1							
4	1	1A7880-65370	LABEL, LEVER 4WD	1							
5	1	1A8250-65390	LABEL, SPARK ARRESTOR	1							Z
(A=*2016.06.)											
6	1	1A8250-65580	LABEL, STOP VALVE	1							
7	1	1A8250-65690	LABEL, ACCELERATOR	1							
8	1	1A7880-65722	LABLE, START SWITCH	1							

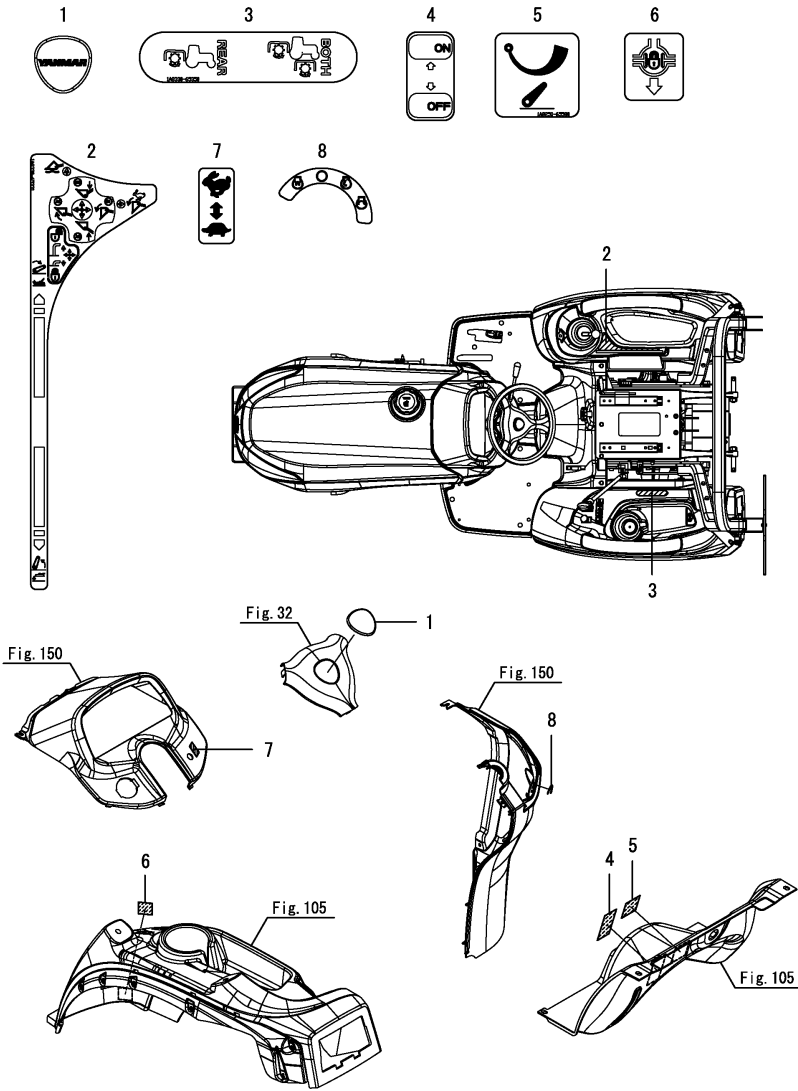


Remarks
* This figure is applicable to [(A)=F500001] or previous machines.
Please refer to Fig.157 since above-mentioned Engine Serial.

Fig.157. (115A)LABEL(2)

(A)=SA221,EU
(B)=SA424,EU
(C)=

(D)=
(E)=
(F)=



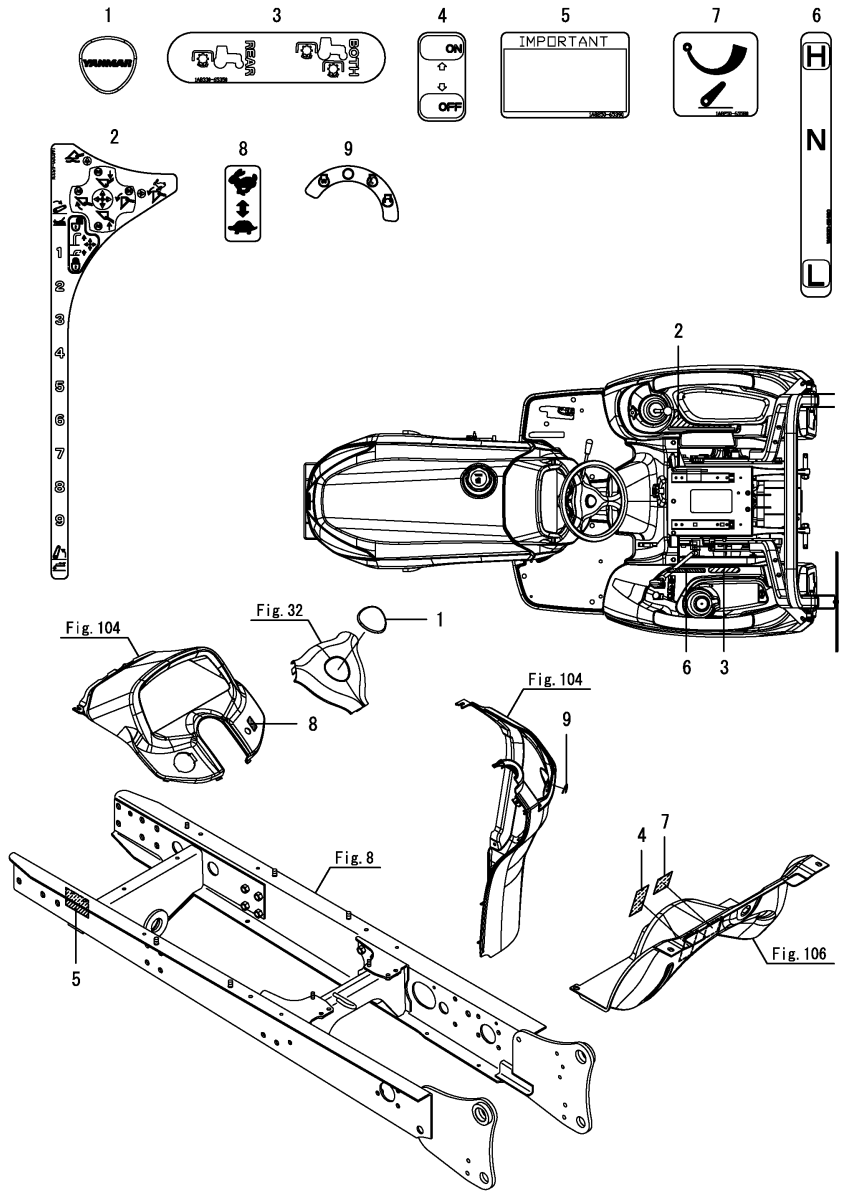
No.	Lev.	Parts No.	Description	Q'ty						I	R
				(A)	(B)	(C)	(D)	(E)	(F)		
1	1	1A7880-15880	PLATE, HANDLE	1							
2	1	1A8330-65331	LABEL, SCV LEVER	1							
3	1	1A8330-65350	LABEL, PTO LEVER	1							
4	1	1A7880-65370	LABEL, LEVER 4WD	1							
5	1	1A8250-65580	LABEL, STOP VALVE	1							
6	1	1A8060-65590	LABEL, DIFF.LOCK	1							
7	1	1A8250-65690	LABEL, ACCELERATOR	1							
8	1	1A7880-65722	LABLE,START SWITCH	1							

Remarks
* This figure is applicable to [(A)=F500002] or following machines.
Please refer to Fig.115 before above-mentioned Engine Serial.

Fig.116. LABEL(2)

(A)=SA221,EU
(B)=SA424,EU
(C)=

(D)=
(E)=
(F)=



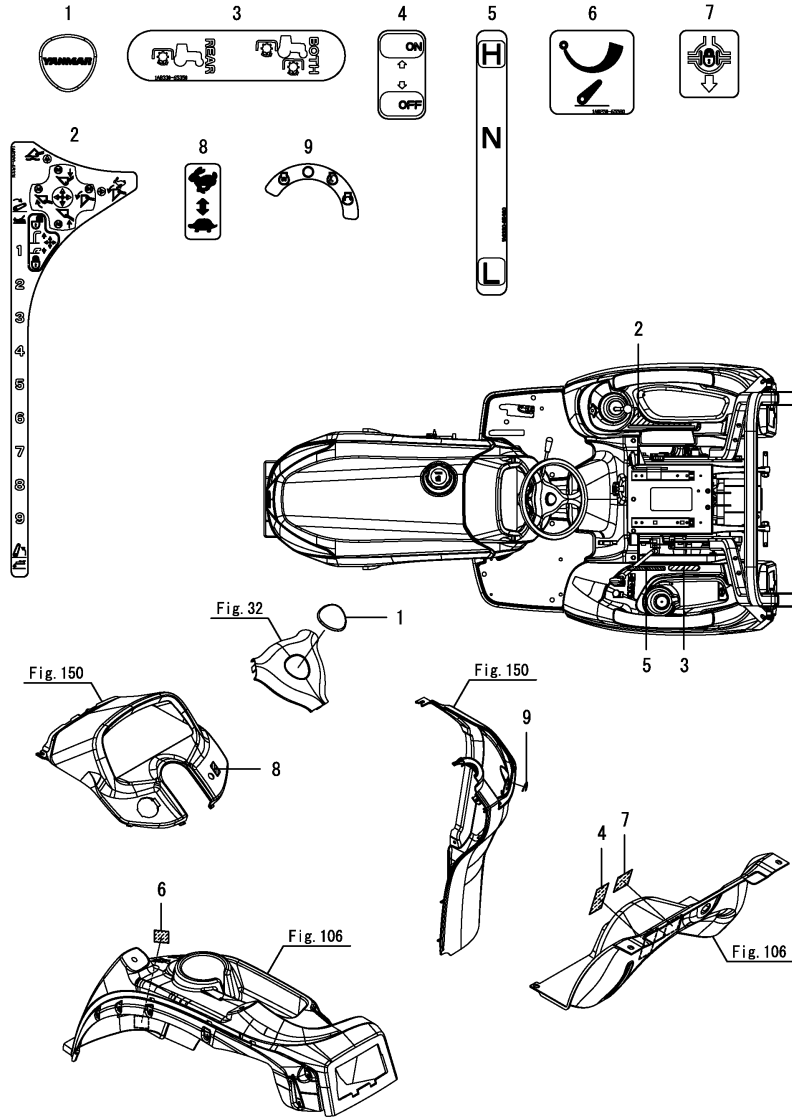
No.	Lev.	Parts No.	Description	Q'ty						I	R
				(A)	(B)	(C)	(D)	(E)	(F)		
1	1	1A7880-15880	PLATE, HANDLE		1						
2	1	1A8320-65331	LABEL, SCV LEVER		1						
3	1	1A8330-65350	LABEL, PTO LEVER		1						
4	1	1A7880-65370	LABEL, LEVER 4WD		1						
5	1	1A8250-65390	LABEL, SPARK ARRESTOR		1						Z
			(B=*2016.06.)								
6	1	1A8320-65460	LABEL, SUB CHANGE		1						
7	1	1A8250-65580	LABEL, STOP VALVE		1						
8	1	1A8250-65690	LABEL, ACCELERATOR		1						
9	1	1A7880-65722	LABLE, START SWITCH		1						

Remarks
* This figure is applicable to [(B)=F500000] or previous machines.
Please refer to Fig.158 since above-mentioned Engine Serial.

Fig.158. (116A)LABEL(2)

(A)=SA221,EU
(B)=SA424,EU
(C)=

(D)=
(E)=
(F)=



No.	Lev.	Parts No.	Description	Q'ty						I	R
				(A)	(B)	(C)	(D)	(E)	(F)		
1	1	1A7880-15880	PLATE, HANDLE		1						
2	1	1A8320-65331	LABEL, SCV LEVER		1						
3	1	1A8330-65350	LABEL, PTO LEVER		1						
4	1	1A7880-65370	LABEL, LEVER 4WD		1						
5	1	1A8320-65460	LABEL, SUB CHANGE		1						
6	1	1A8250-65580	LABEL, STOP VALVE		1						
7	1	1A8060-65590	LABEL, DIFF.LOCK		1						
8	1	1A8250-65690	LABEL, ACCELERATOR		1						
9	1	1A7880-65722	LABLE,START SWITCH		1						

Remarks

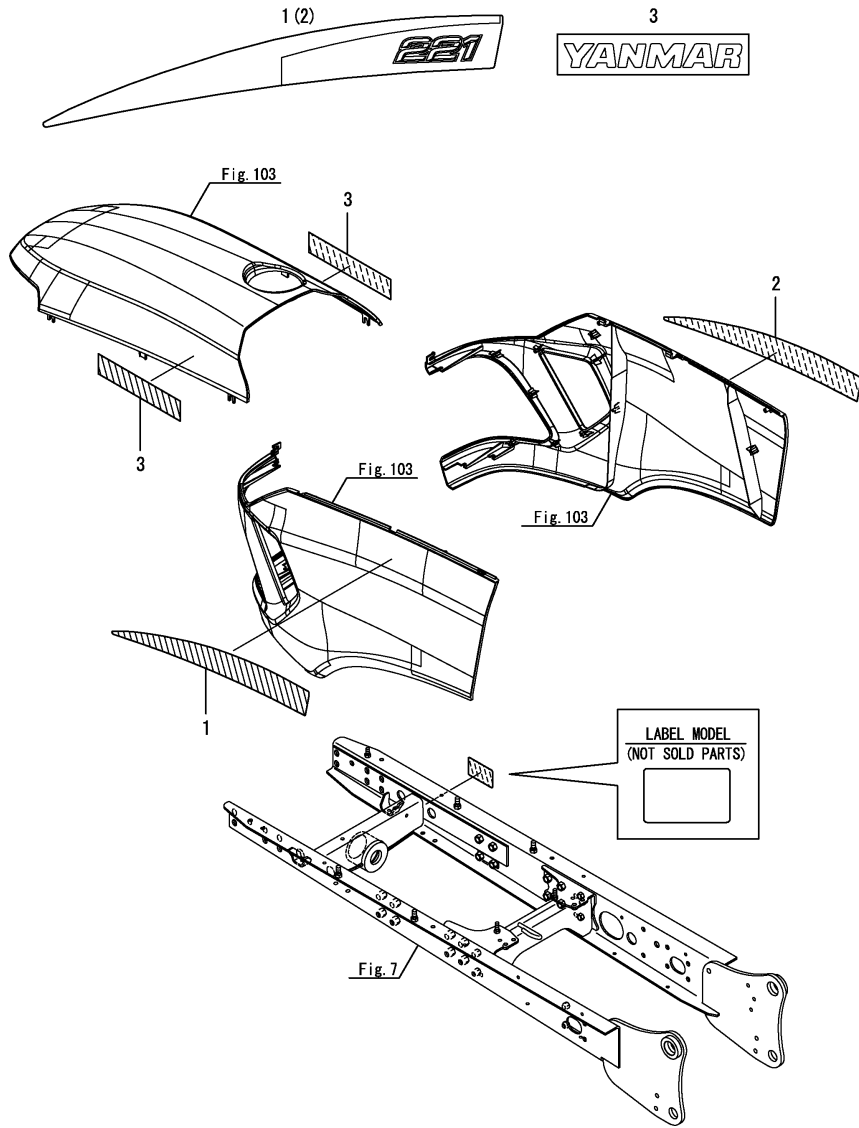
* This figure is applicable to [(B)=F500001] or following machines.
Please refer to Fig.116 before above-mentioned Engine Serial.

Fig.117. LABEL(MODEL)

(A)=SA221,EU
(B)=SA424,EU
(C)=

(D)=
(E)=
(F)=

No.	Lev.	Parts No.	Description	Q'ty						I	R
				(A)	(B)	(C)	(D)	(E)	(F)		
1	1	1A8330-65510	LABEL, MODEL 221 L	1							
2	1	1A8330-65520	LABEL, MODEL 221 R	1							
3	1	1A8330-65560	LABEL, YANMAR	2							



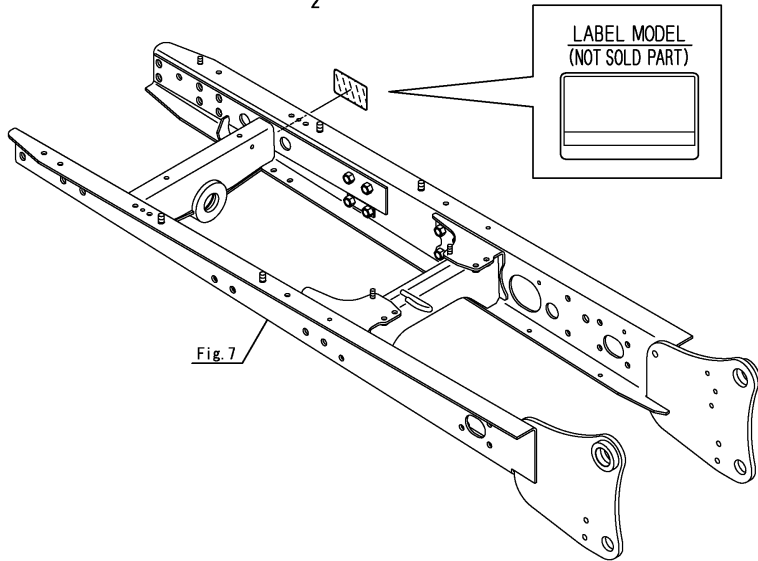
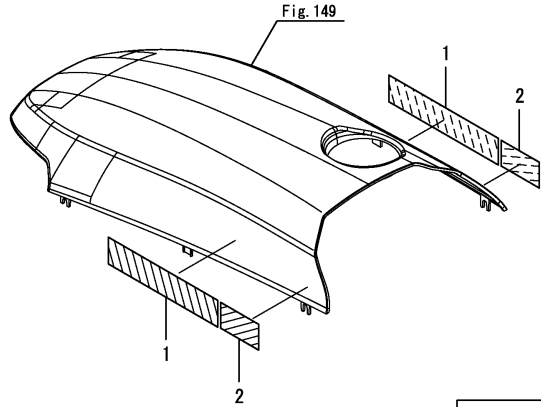
Remarks

* This figure is applicable to [(A)=F500001] or previous machines.
Please refer to Fig.159 since above-mentioned Engine Serial.

Fig.159. (117A)LABEL(MODEL)

(A)=SA221,EU
(B)=SA424,EU
(C)=

(D)=
(E)=
(F)=



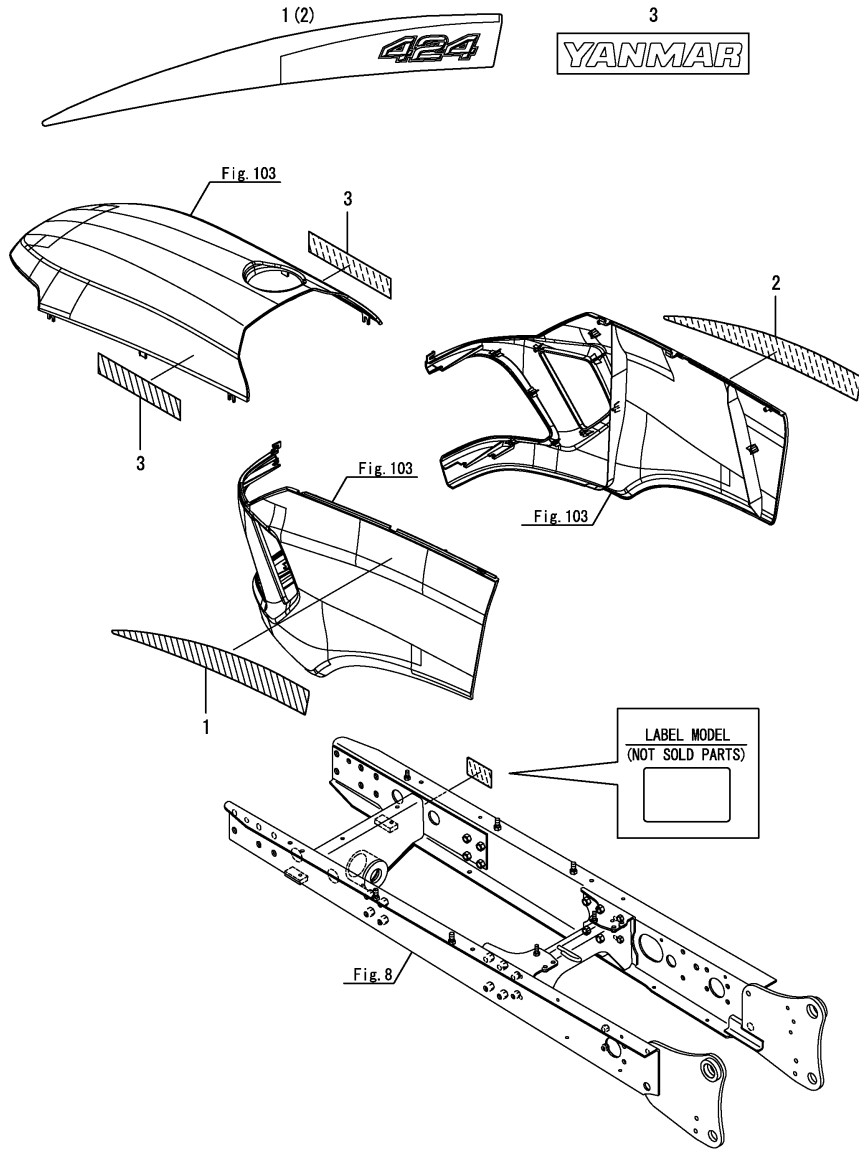
No.	Lev.	Parts No.	Description	Q'ty						I	R
				(A)	(B)	(C)	(D)	(E)	(F)		
1	1	1A8330-65560	LABEL, YANMAR	2							
2	1	1A8330-65610	LABEL, NAME 221	2							

Remarks
* This figure is applicable to [(A)=F500002] or following machines.
Please refer to Fig.117 before above-mentioned Engine Serial.

Fig.118. LABEL(MODEL)

(A)=SA221,EU
(B)=SA424,EU
(C)=

(D)=
(E)=
(F)=



No.	Lev.	Parts No.	Description	Qty						I	R	
				(A)	(B)	(C)	(D)	(E)	(F)			
1	1	1A8320-65530	LABEL, MODEL 424 L		1							
2	1	1A8320-65540	LABEL, MODEL 424 R		1							
3	1	1A8330-65560	LABEL, YANMAR		2							

Remarks

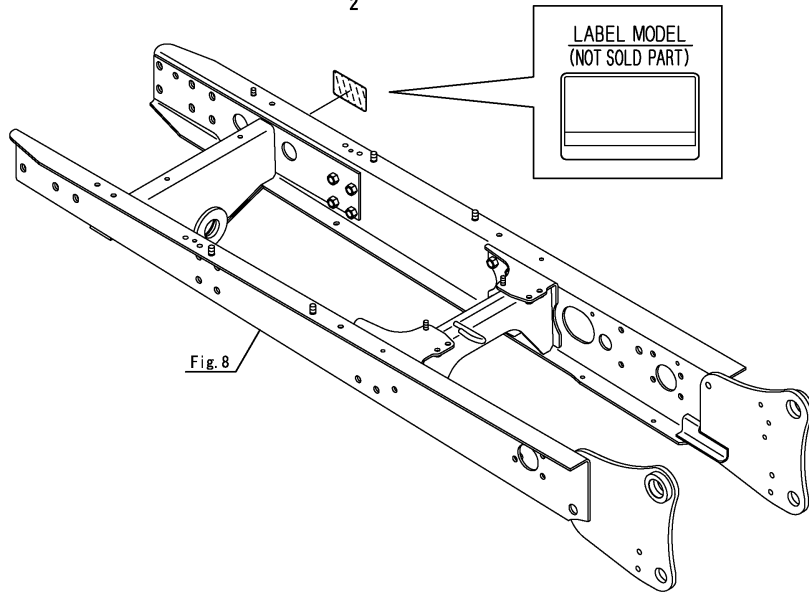
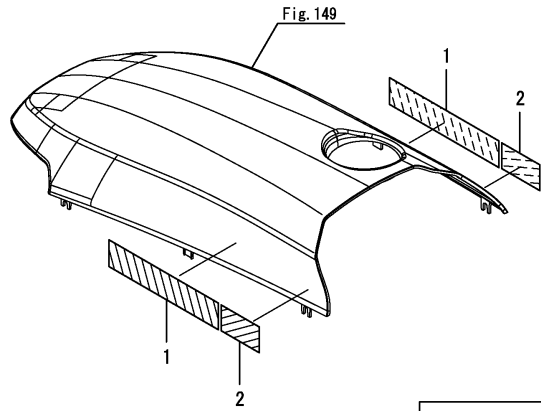
* This figure is applicable to [(B)=F500000] or previous machines.
Please refer to Fig.160 since above-mentioned Engine Serial.

N:Old $\xrightarrow{\text{Yes}}$ New, Q:Old $\xrightarrow{\text{No}}$ New, R:Old $\xrightarrow{\text{Yes}}$ New, S:Old $\xrightarrow{\text{No}}$ New, W:Add, Z:Discontinued, F:Interchangeable by set, K:Qty Change

Fig.160. (118A)LABEL(MODEL)

(A)=SA221,EU
(B)=SA424,EU
(C)=

(D)=
(E)=
(F)=



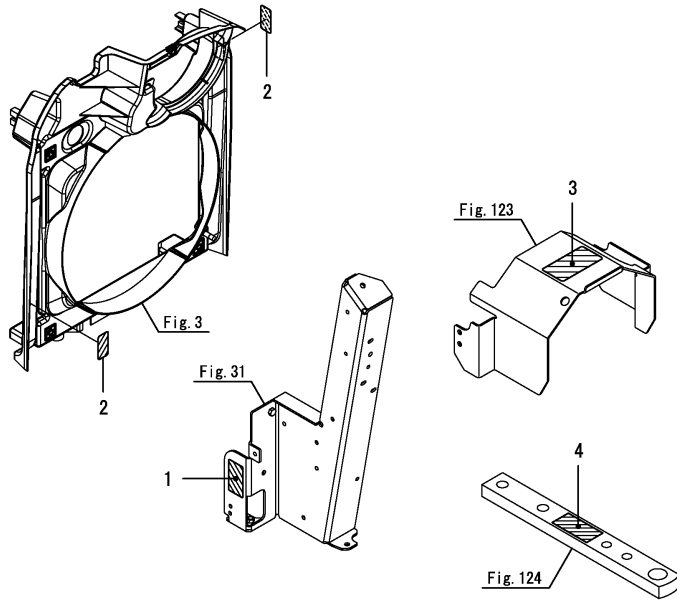
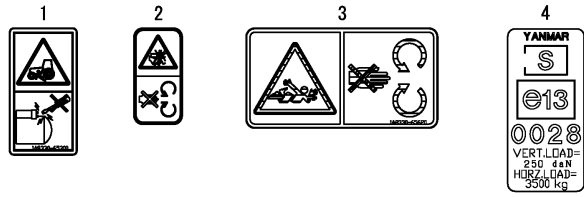
No.	Lev.	Parts No.	Description	Q'ty						I	R	
				(A)	(B)	(C)	(D)	(E)	(F)			
1	1	1A8330-65560	LABEL, YANMAR		2							
2	1	1A8320-65630	LABEL, NAME 424		2							

Remarks
* This figure is applicable to [(B)=F500001] or following machines.
Please refer to Fig.118 before above-mentioned Engine Serial.

Fig.119. LABEL(SAFETY)(1)

(A)=SA221,EU
(B)=SA424,EU
(C)=

(D)=
(E)=
(F)=



No.	Lev.	Parts No.	Description	Q'ty						I	R
				(A)	(B)	(C)	(D)	(E)	(F)		
1	1	1A8330-65300	LABEL, JUMP START	1	1						
2	1	1A7874-65400	LABEL, FAN WARNING	2	2						
3	1	1A8330-65620	LABEL, DANGER SHAFT	1	1						
4	1	198280-65210	LABEL,	1	1						W
		(A=F200116)	(B=F200114)								

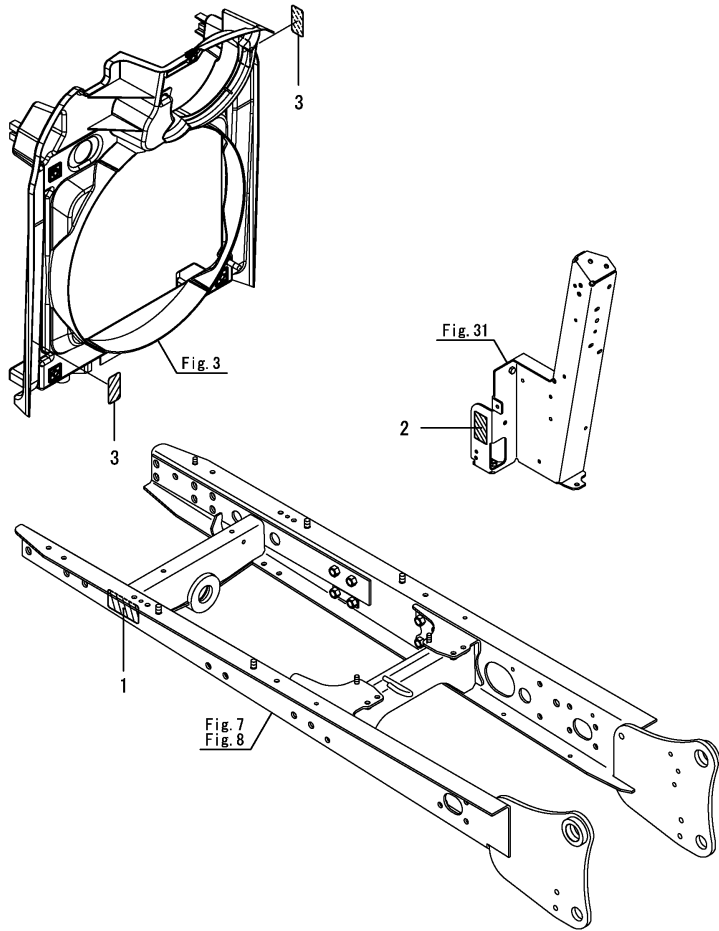
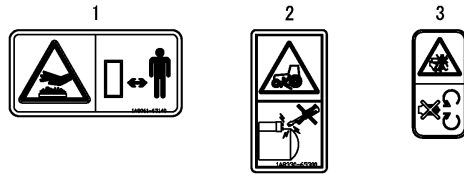
Remarks

* This figure is applicable to [(A)=F500001][[(B)=F500000] or previous machines.
Please refer to Fig.161 since above-mentioned Engine Serial.

Fig.161. (119A)LABEL(SAFETY)(1)

(A)=SA221,EU
(B)=SA424,EU
(C)=

(D)=
(E)=
(F)=



No.	Lev.	Parts No.	Description	Q'ty						I	R
				(A)	(B)	(C)	(D)	(E)	(F)		
1	1	1A8061-65140	LABEL, SAFETY HOT	1	1						
2	1	1A8330-65300	LABEL, JUMP START	1	1						
3	1	1A7874-65400	LABEL, FAN WARNING	2	2						

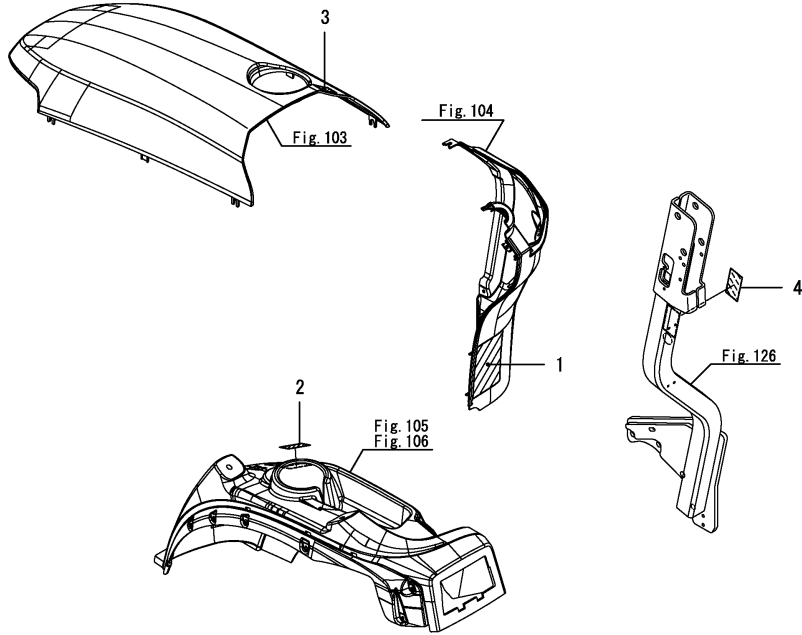
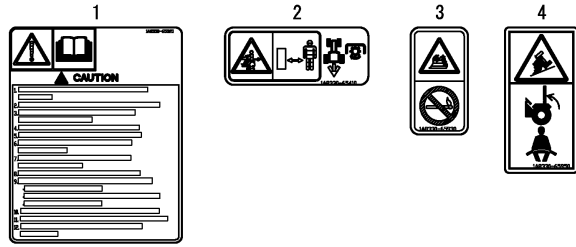
Remarks
* This figure is applicable to [(A)=F500002][[(B)=F500001] or following machines.
Please refer to Fig.119 before above-mentioned Engine Serial.

Fig.120. LABEL(SAFETY)(2)

(A)=SA221,EU
(B)=SA424,EU
(C)=

(D)=
(E)=
(F)=

No.	Lev.	Parts No.	Description	Q'ty						I	R
				(A)	(B)	(C)	(D)	(E)	(F)		
1	1	1A8330-65320	LABEL, CAUTION	1	1						
2	1	1A8330-65410	LABEL, DANGER PTO	1	1						
3	1	1A8330-65930	LABEL, WARNING FIRE	1	1						
4	1	1A8330-65950	LABEL, SEATBELT	1	1						



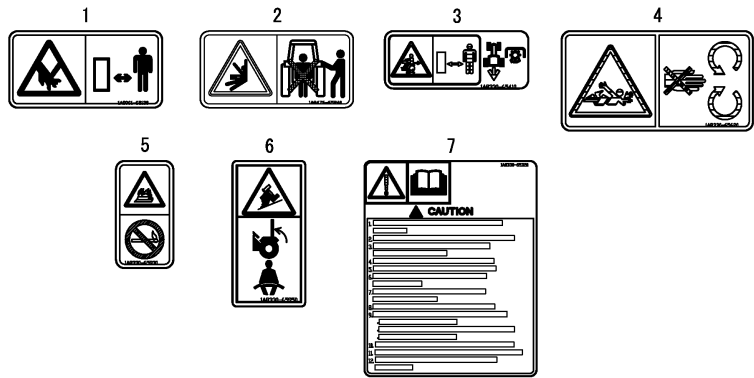
Remarks

* This figure is applicable to [(A)=F500001][[(B)=F500000] or previous machines.
Please refer to Fig.162(or 163) since above-mentioned Engine Serial.

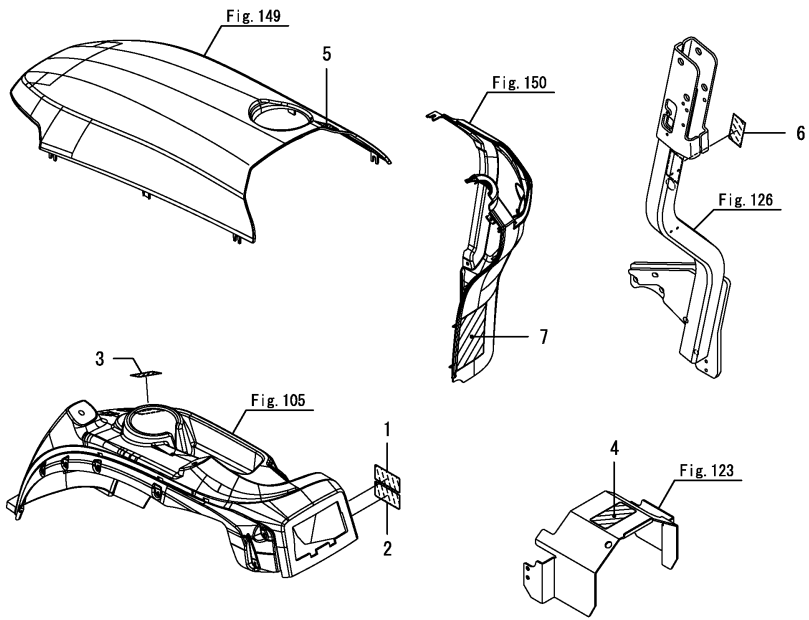
Fig.162. (120A)LABEL(SAFETY)(2)

(A)=SA221,EU
(B)=SA424,EU
(C)=

(D)=
(E)=
(F)=



No.	Lev.	Parts No.	Description	Q'ty						I	R
				(A)	(B)	(C)	(D)	(E)	(F)		
1	1	1A8061-65130	LABEL, SAFETY HYD	1							
2	1	1A8476-65240	LABEL, SAFETY REAR	1							
3	1	1A8330-65410	LABEL, DANGER PTO	1							
4	1	1A8330-65620	LABEL, DANGER SHAFT	1							
5	1	1A8330-65930	LABEL, WARNING FIRE	1							
6	1	1A8330-65950	LABEL, SEATBELT	1							
7	1	1A8330-65320	LABEL, CAUTION	1							

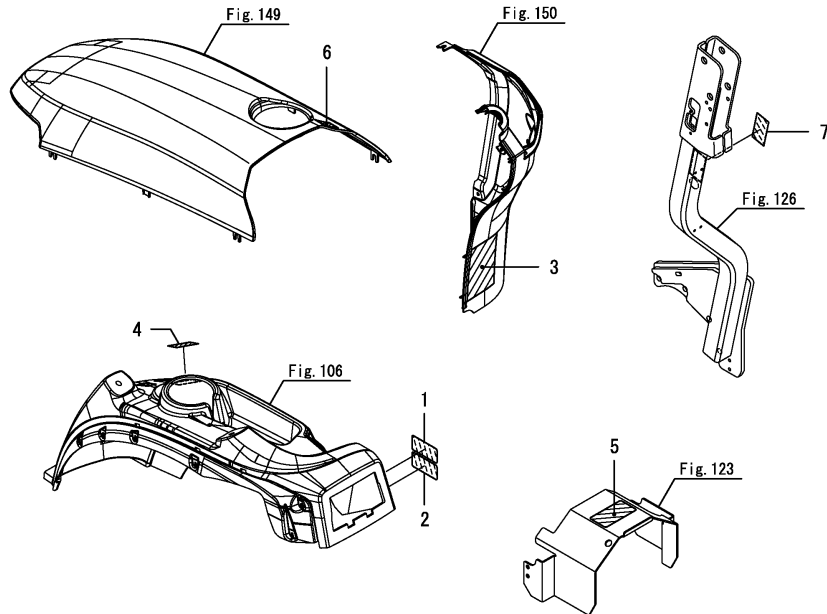
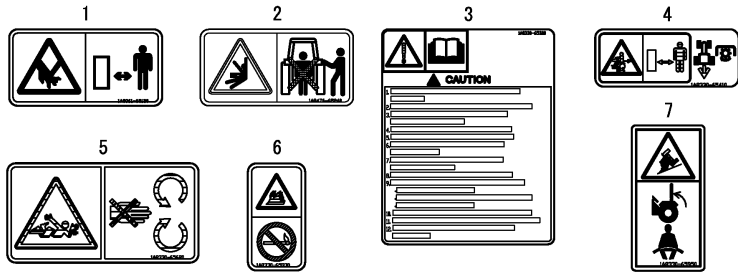


Remarks
* This figure is applicable to [(A)=F500002] or following machines.
Please refer to Fig.120 before above-mentioned Engine Serial.

Fig.163. (120B)LABEL(SAFETY)(2)

(A)=SA221,EU
(B)=SA424,EU
(C)=

(D)=
(E)=
(F)=

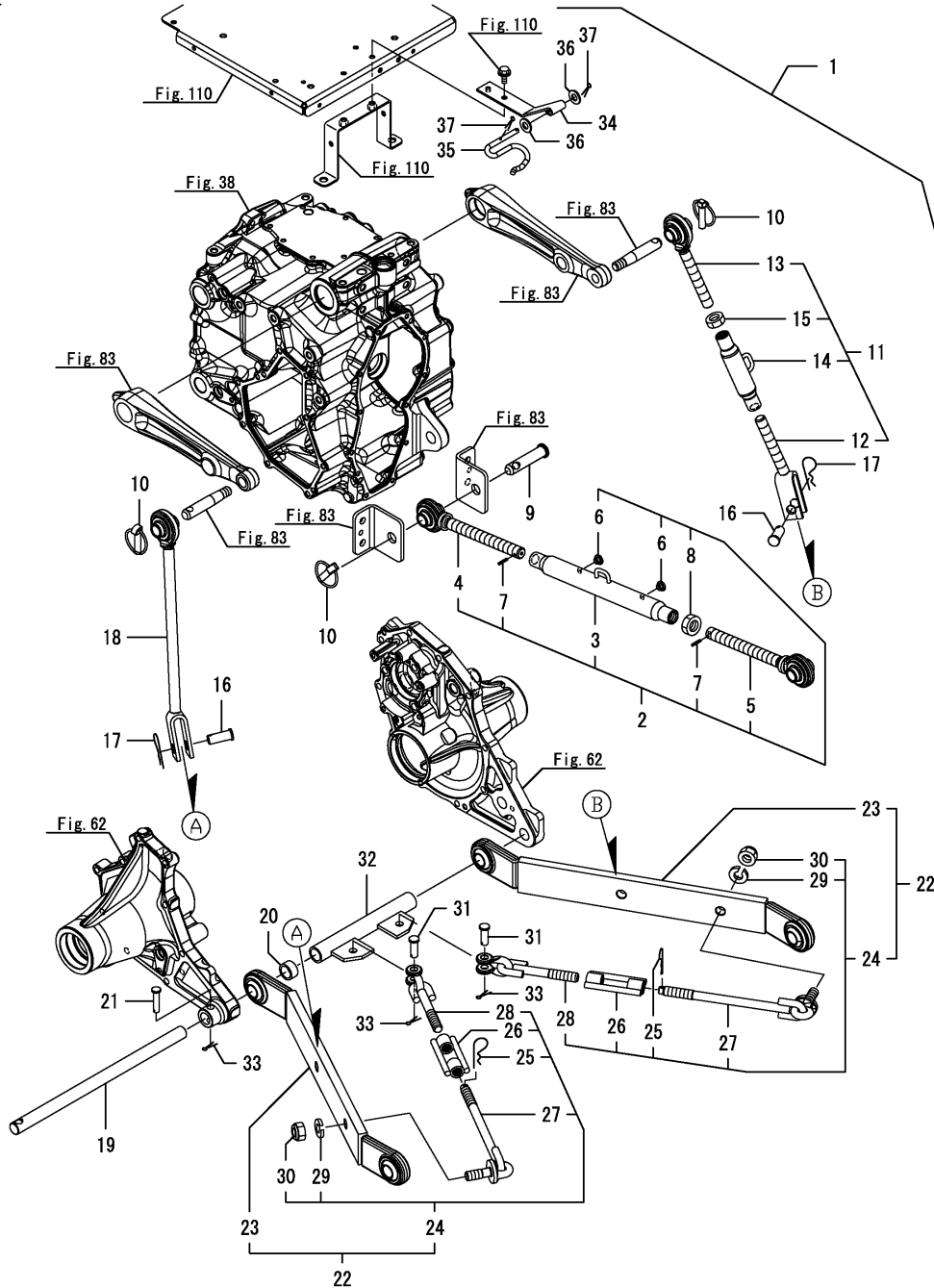


No.	Lev.	Parts No.	Description	Q'ty						I	R
				(A)	(B)	(C)	(D)	(E)	(F)		
1	1	1A8061-65130	LABEL, SAFETY HYD		1						
2	1	1A8476-65240	LABEL, SAFETY REAR		1						
3	1	1A8330-65320	LABEL, CAUTION		1						
4	1	1A8330-65410	LABEL, DANGER PTO		1						
5	1	1A8330-65620	LABEL, DANGER SHAFT		1						
6	1	1A8330-65930	LABEL, WARNING FIRE		1						
7	1	1A8330-65950	LABEL, SEATBELT		1						

Remarks

* This figure is applicable to [(B)=F500001] or following machines.
Please refer to Fig.120 before above-mentioned Engine Serial.

Fig.121. THREE POINT LINK

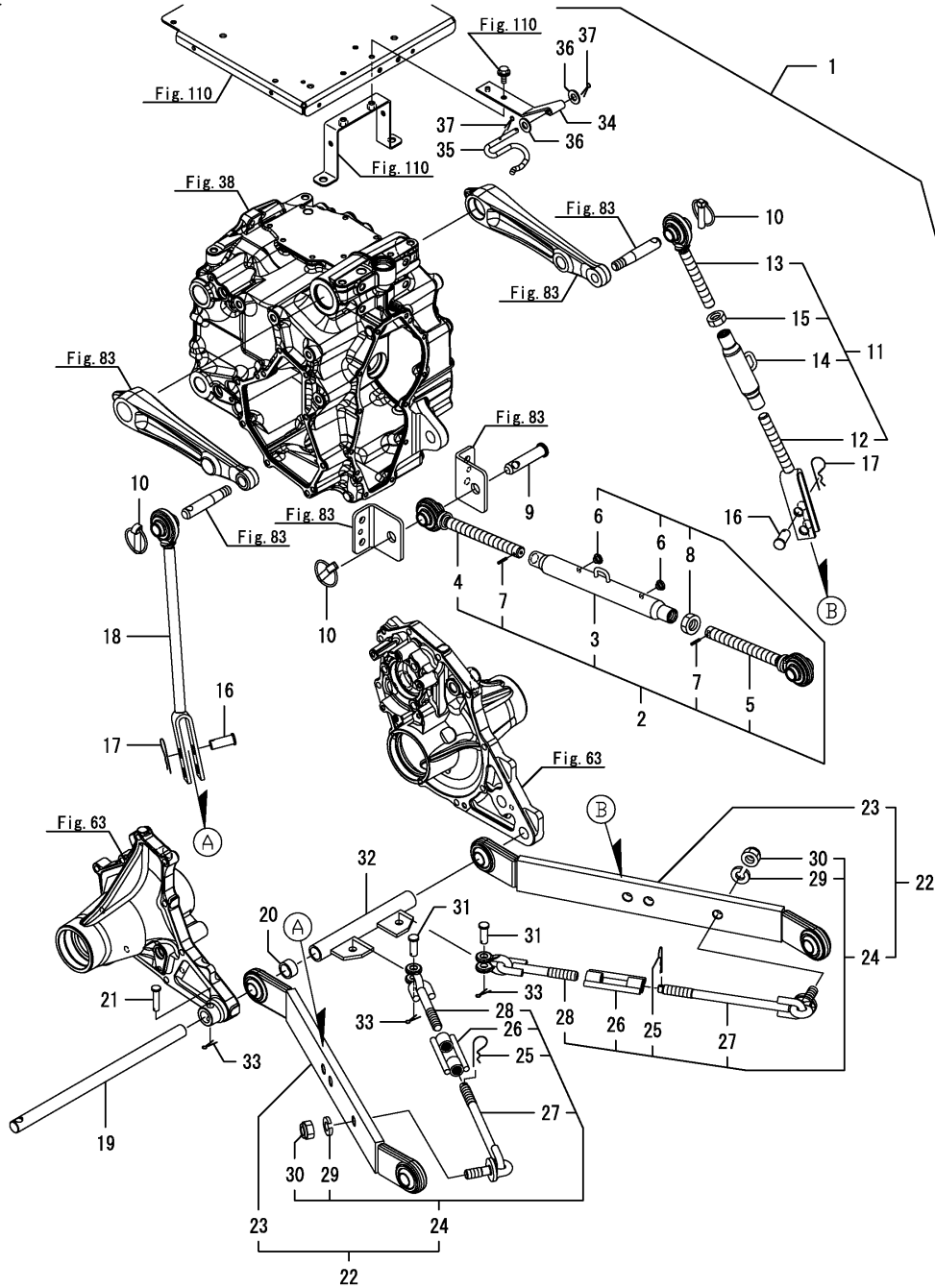


(A)=SA221,EU
 (B)=SA424,EU
 (C)=

(D)=
 (E)=
 (F)=

No.	Lev.	Parts No.	Description	Q'ty						I	R
				(A)	(B)	(C)	(D)	(E)	(F)		
1	1	1A8330-71000	HITCH KIT, 3-POINT	1							
1-1	1	1A8330-71001	LINK KIT,THREE POINT	1							N
		(A=F500002)									
2	2	1A8330-71110	LINK ASSY	1							
3	3	1A8330-71240	TURNBUCKLE ASSY	1							
4	3	1A8330-71270	EYE-BOLT ASSY, L	1							
5	3	1A8330-71290	EYE-BOLT ASSY, R	1							
6	3	1A8330-71780	CAP	2							
7	3	22351-040020	PIN, SPRING 4.0X20	2							
8	3	26756-200002	NUT, LOCK M20	1							
9	2	1A8330-71120	PIN	1							
10	2	1A8330-71130	PIN ASSY	3							
11	2	1A8330-72100	LINK ASSY, LIFT R	1							
11-1	2	1A8330-72101	LINK ASSY, LIFT R	1							N
		(A=F500002)									
12	3	1A8330-72110	YOKE ASSY, LIFT	1							
12-1	3	1A8330-72111	YOKE ASSY, LIFT	1							N
		(A=F500002)									
13	3	1A8330-72200	YOKE ASSY, LIFT	1							
14	3	1A8330-72250	TURNBUCKLE ASSY	1							
15	3	26777-180002	NUT, LOCK M18	1							
16	2	1A8330-72150	PIN	2							
17	2	1A8330-72170	PIN, 16	2							
18	2	1A8330-72300	LINK ASSY, LIFT L	1							
18-1	2	1A8330-72301	LINK ASSY, LIFT L	1							N
		(A=F500002)									
19	2	1A8330-73110	PIN, HINGE	1							
20	2	1A8330-73120	SPACER	1							
21	2	1A8330-73130	PIN	1							
22	2	1A8330-73400	LINK KIT, LOWER	2							
23	3	1A8330-73500	LINK ASSY, LOWER	2							
24	3	1A8330-74100	CHAIN KIT, CHECK	2							
25	4	1A8330-72170	PIN, 16	2							
26	4	1A8330-74610	TURNBUCKLE ASSY	2							
27	4	1A8330-74650	CHAIN ASSY	2							
28	4	1A8330-74800	CHAIN ASSY	2							
29	4	22217-160000	WASHER, SPRING 16	2							
30	4	26356-160002	NUT, M16	2							
31	2	1A8330-74160	PIN	2							
32	2	1A8330-74550	CHAIN ASSY	1							
33	2	22417-200300	PIN, COTTER 2.0X30	3							
34	1	1A8330-71510	STAY,HOOK	1							
35	1	1A8330-71550	HOOK, TOP LINK	1							
36	1	22137-080000	WASHER, 8	2							
37	1	22417-250250	PIN, COTTER 2.5X25	2							

Fig.122. THREE POINT LINK



(A)=SA221,EU
(B)=SA424,EU
(C)=

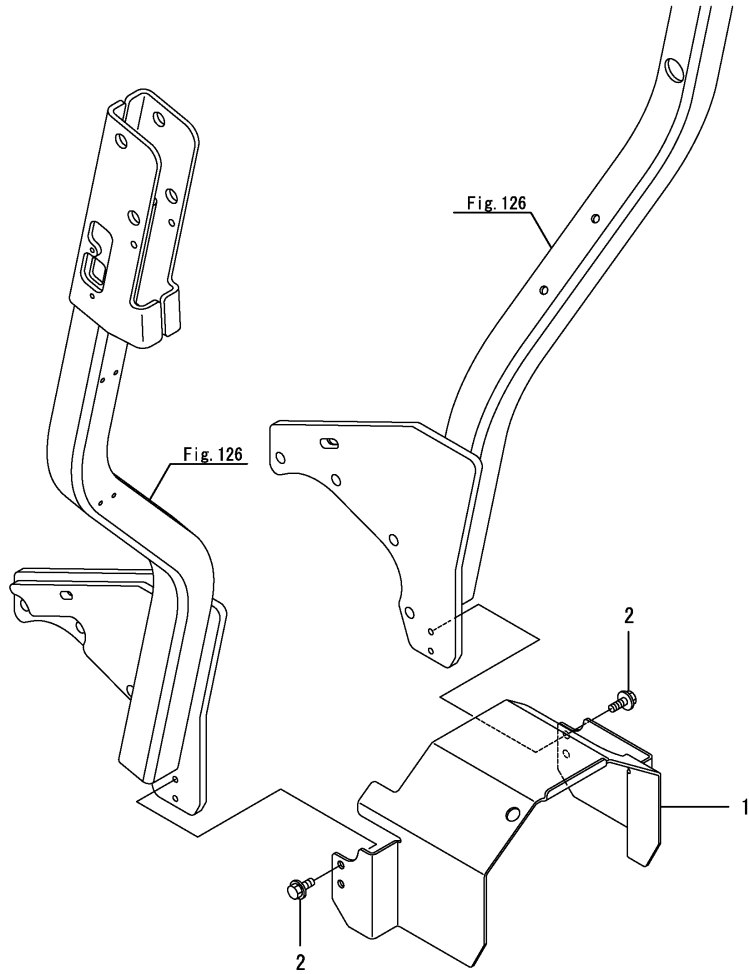
(D)=
(E)=
(F)=

No.	Lev.	Parts No.	Description	Qty						I	R
				(A)	(B)	(C)	(D)	(E)	(F)		
1	1	1A8320-71000	HITCH KIT, 3-POINT	1							
2	2	1A8330-71110	LINK ASSY		1						
3	3	1A8330-71240	TURNBUCKLE ASSY		1						
4	3	1A8330-71270	EYE-BOLT ASSY, L		1						
5	3	1A8330-71290	EYE-BOLT ASSY, R		1						
6	3	1A8330-71780	CAP		2						
7	3	22351-040020	PIN, SPRING 4.0X20		2						
8	3	26756-200002	NUT, LOCK M20		1						
9	2	1A8330-71120	PIN		1						
10	2	1A8330-71130	PIN ASSY		3						
11	2	1A8320-72100	LINK ASSY, LIFT R		1						
12	3	1A8320-72110	YOKE ASSY, LIFT		1						
13	3	1A8330-72200	YOKE ASSY, LIFT		1						
14	3	1A8330-72250	TURNBUCKLE ASSY		1						
15	3	26777-180002	NUT, LOCK M18		1						
16	2	1A8330-72150	PIN		2						
17	2	1A8330-72170	PIN, 16		2						
18	2	1A8320-72300	LINK ASSY, LIFT L		1						
19	2	1A8330-73110	PIN, HINGE		1						
20	2	1A8330-73120	SPACER		1						
21	2	1A8330-73130	PIN		1						
22	2	1A8320-73400	LINK KIT, LOWER		2						
23	3	1A8320-73500	LINK ASSY, LOWER		2						
24	3	1A8330-74100	CHAIN KIT, CHECK		2						
25	4	1A8330-72170	PIN, 16		2						
26	4	1A8330-74610	TURNBUCKLE ASSY		2						
27	4	1A8330-74650	CHAIN ASSY		2						
28	4	1A8330-74800	CHAIN ASSY		2						
29	4	22217-160000	WASHER, SPRING 16		2						
30	4	26356-160002	NUT, M16		2						
31	2	1A8330-74160	PIN		2						
32	2	1A8330-74550	CHAIN ASSY		1						
33	2	22417-200300	PIN, COTTER 2.0X30		3						
34	1	1A8330-71510	STAY,HOOK		1						
35	1	1A8330-71550	HOOK, TOP LINK		1						
36	1	22137-080000	WASHER, 8		2						
37	1	22417-250250	PIN, COTTER 2.5X25		2						

Fig.123. P.T.O. GUARD

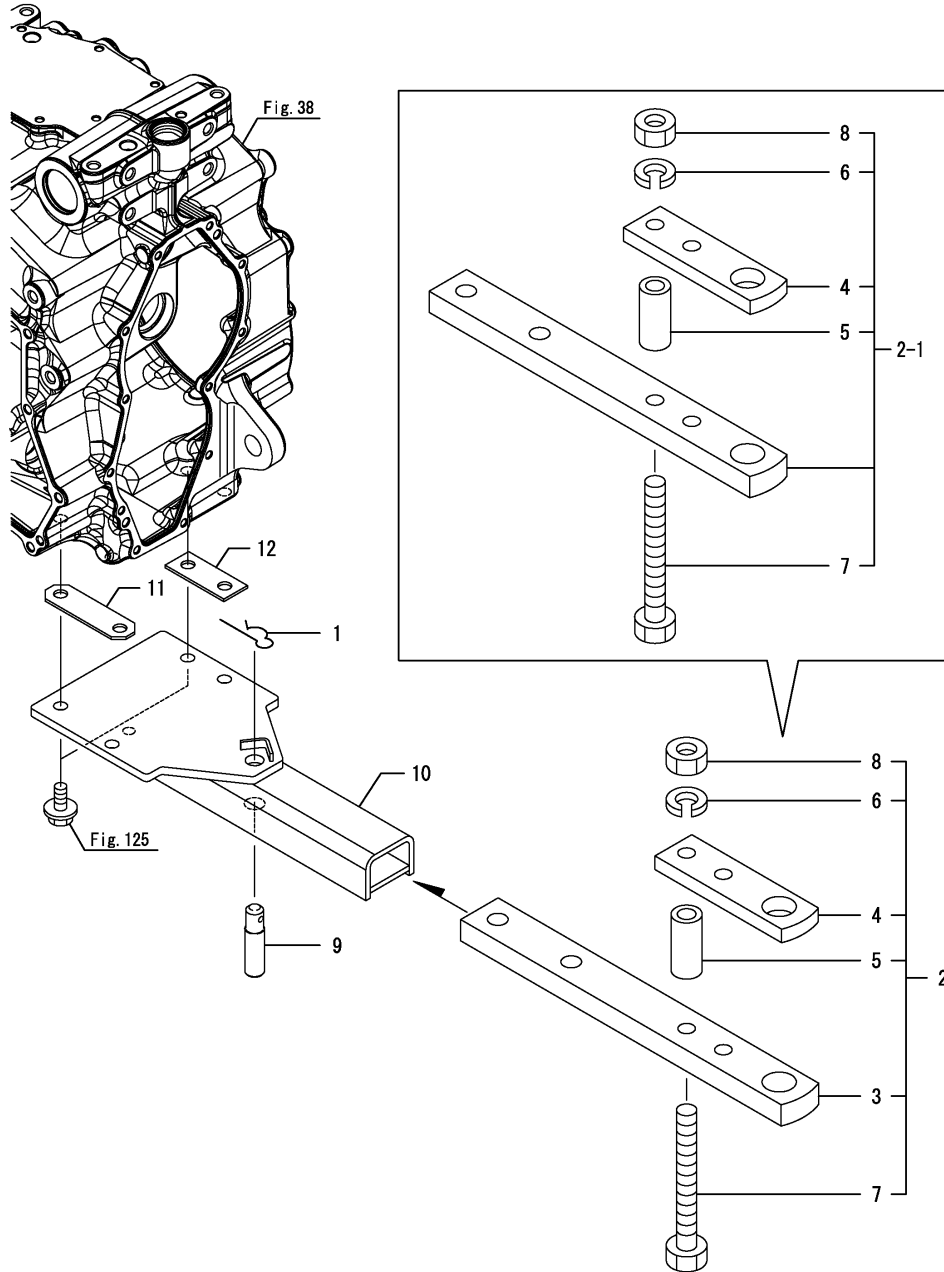
(A)=SA221,EU
 (B)=SA424,EU
 (C)=

(D)=
 (E)=
 (F)=



No.	Lev.	Parts No.	Description	Q'ty						I	R
				(A)	(B)	(C)	(D)	(E)	(F)		
1	1	1A8330-71150	M ASSY, PTO COVER	1	1						
2	1	26106-080162	BOLT, M8X 16 PLATED	4	4						

Fig.124. DRAWBAR(1)



(A)=SA221,EU
(B)=SA424,EU
(C)=

(D)=
(E)=
(F)=

No.	Lev.	Parts No.	Description	Q'ty						I	R
				(A)	(B)	(C)	(D)	(E)	(F)		
1	1	195230-17260	PIN, SNAP 22S	1	1						
2	1	198280-75200	HITCH KIT, DRAWBAR	1	1						
2-1	1	198280-75100	M ASSY	1	1						N
3	2	198280-75210-1	DRAWBER	1	1						Z
		(A=F200116) (B=F200114)									
4	2	198280-75250	PLATE, CLEVIS	1	1						
5	2	198280-75260	SPACER, CLEVIS	2	2						
6	2	22217-160000	WASHER, SPRING 16	2	2						
7	2	26116-161302	BOLT, M16X130 PLATED	2	2						
8	2	26716-160002	NUT, M16	2	2						
9	1	198253-75430	PIN, HITCH	1	1						
10	1	1A8320-75710	BRACKET ASSY,DRAWBAR	1	1						
11	1	1A8320-75770	SPACER, L	1	1						
12	1	1A8320-75780	SPACER, R	1	1						

Fig.125. DRAWBAR(2)

(A)=SA221,EU
 (B)=SA424,EU
 (C)=

(D)=
 (E)=
 (F)=

No.	Lev.	Parts No.	Description	Qty						I	R
				(A)	(B)	(C)	(D)	(E)	(F)		
1	1	26108-120252	BOLT, M12X 25 PLATED	4	4						

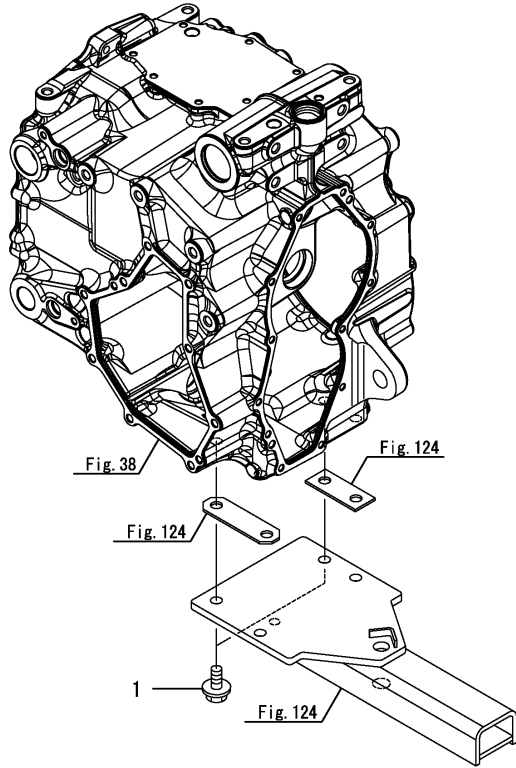
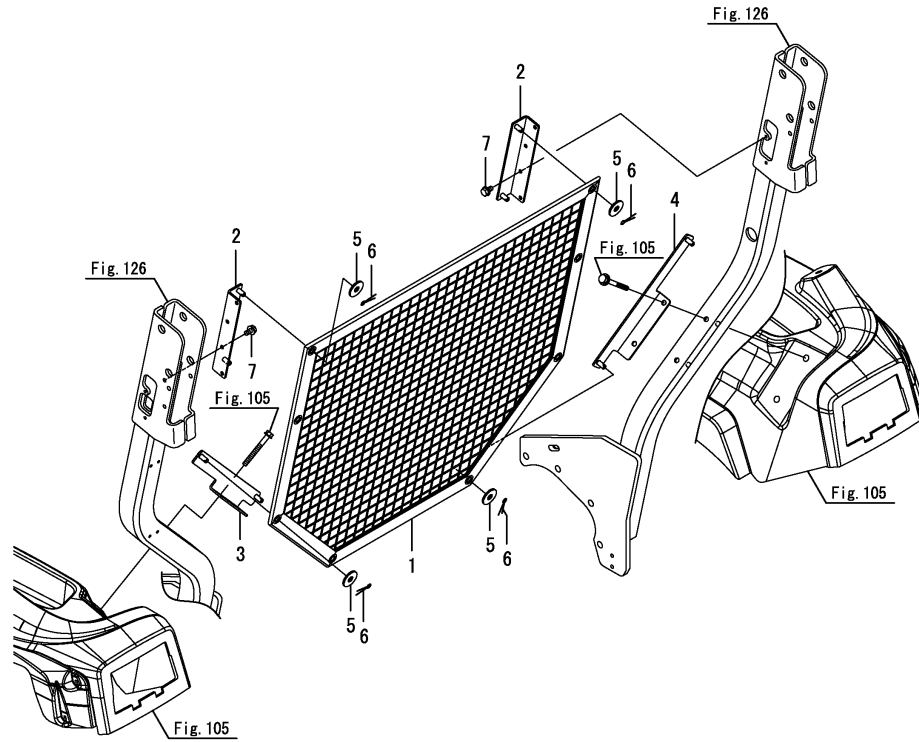


Fig.176. NET

(A)=SA221,EU
(B)=SA424,EU
(C)=

(D)=
(E)=
(F)=



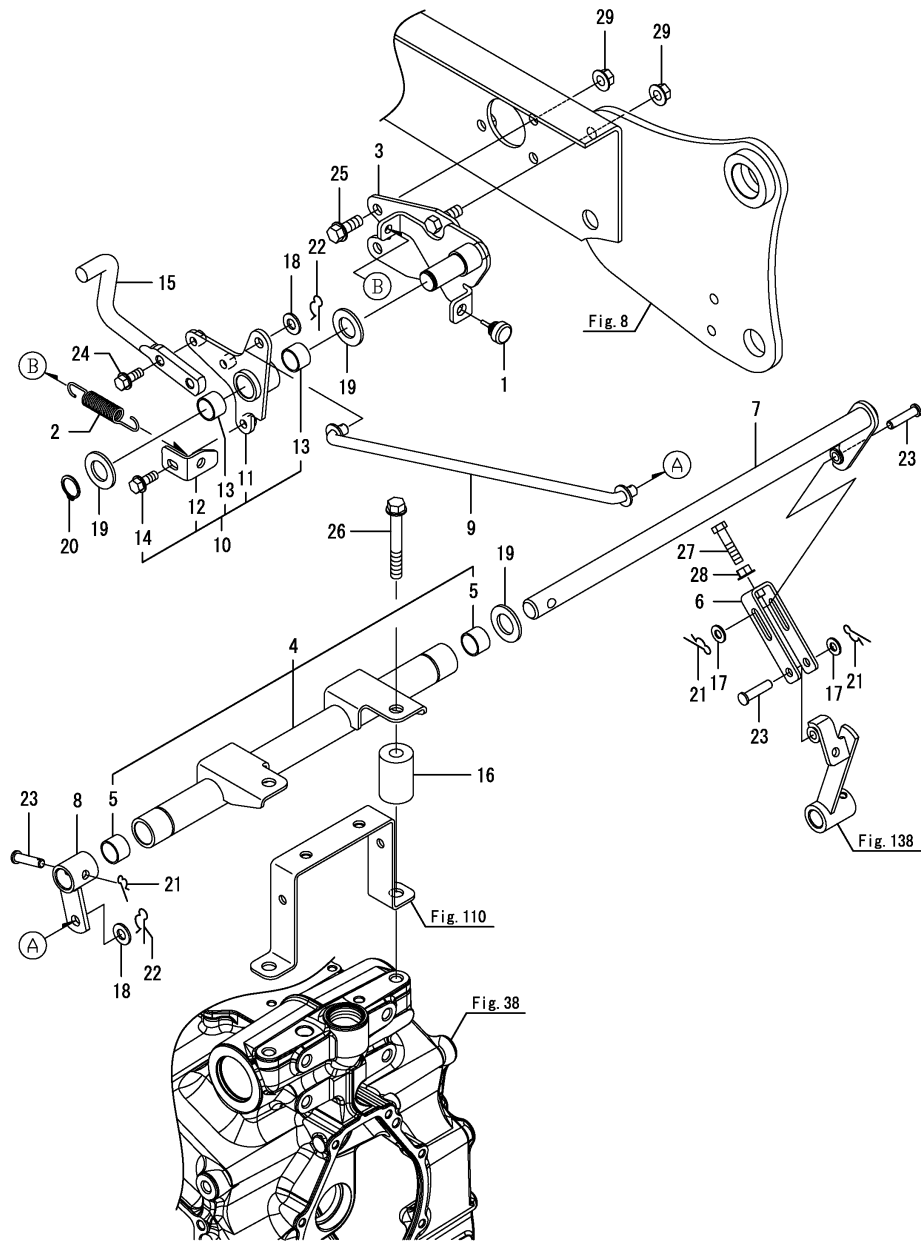
No.	Lev.	Parts No.	Description	Q'ty						I	R
				(A)	(B)	(C)	(D)	(E)	(F)		
1	1	1A8332-69500	GUARD, NET	1	1						
2	1	1A8332-69600	STAY ASSY, GUARD UP.	2	2						
3	1	1A8332-69680	STAY ASSY, GUARD L	1	1						
4	1	1A8332-69730	STAY ASSY, GUARD R	1	1						
5	1	22157-080000	WASHER, 8	8	8						
6	1	22417-200200	PIN, COTTER 2.0X20	8	8						
7	1	26106-060102	BOLT, M6X 10 PLATED	4	4						

Remarks

* This figure is applicable to [(A)=F500002][[(B)=F500001] or following machines.

N:Old $\xrightarrow{\text{Yes}}$ New, Q:Old $\xrightarrow{\text{No}}$ New, R:Old $\xrightarrow{\text{Yes}}$ New, S:Old $\xrightarrow{\text{No}}$ New, W:Add, Z:Discontinued, F:Interchangeable by set, K:Q'ty Change

Fig.177. LINK(DIFF LOCK PEDAL)



(A)=SA221,EU
(B)=SA424,EU
(C)=

(D)=
(E)=
(F)=

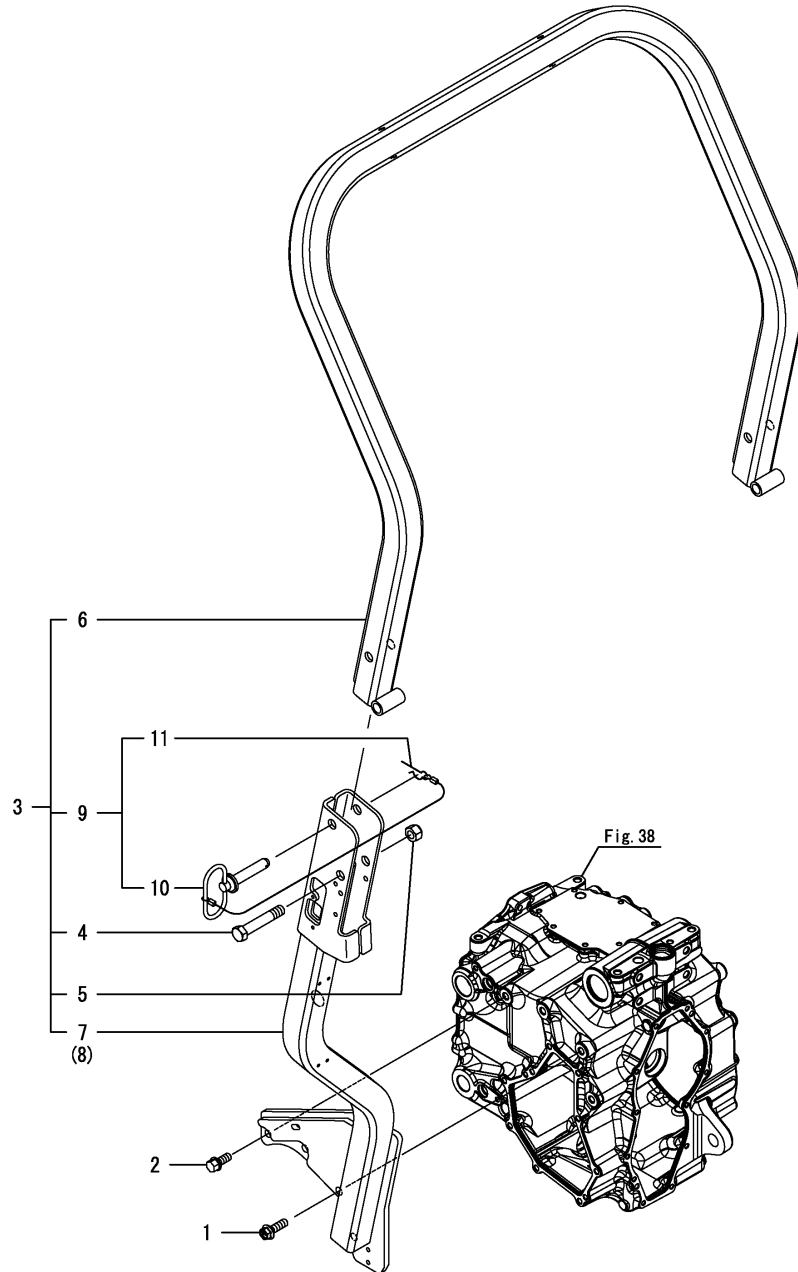
No.	Lev.	Parts No.	Description	Qty						I	R
				(A)	(B)	(C)	(D)	(E)	(F)		
1	1	194330-62530	STOPPER, PEDAL		1						
2	1	1A8320-63440	SPRING, RETURN		1						
3	1	1A8330-67111	BRACKET ASSY, DIFF P		1						
4	1	1A8330-67210	BRACKET UNIT, SHAFT		1						
5	2	24550-020150	BUSH, 20X15		2						
6	1	1A8330-67470	ADJUSTER, LINK		1						
7	1	1A8330-67510	SHAFT ASSY, LINK		1						
8	1	1A8330-67610	ARM ASSY, SHAFT		1						
9	1	1A8330-67650	ROD ASSY, LINK		1						
10	1	1A8330-67710	LINK UNIT,DIFF PEDAL		1						
11	2	1A8330-67720	LINK ASSY,DIFF PEDAL		1						
12	2	1A8330-67750	STAY, STOPPER		1						
13	2	24550-020150	BUSH, 20X15		2						
14	2	26106-080202	BOLT, M8X 20 PLATED		1						
15	1	1A8330-67770	PEDAL, DIFF. LOCK		1						
16	1	1A8330-67870	COLLAR		2						
17	1	22137-080000	WASHER, 8		2						
18	1	22137-100000	WASHER, 10		2						
19	1	22137-200000	WASHER, 20		3						
20	1	22242-000200	RING, 20		1						
21	1	22372-080000	PIN, SNAP 8		3						
22	1	22372-100000	PIN, SNAP 10		2						
23	1	22487-080300	PIN, 8X 30		3						
24	1	26106-080202	BOLT, M8X 20 PLATED		2						
25	1	26106-100252	BOLT, M10X 25 PLATED		2						
26	1	26106-120752	BOLT, M12X 75 PLATED		2						
27	1	26116-080354	BOLT, M8X 35 PLATED		1						
28	1	26366-080002	NUT, M8		1						
29	1	26366-100002	NUT, M10		3						

Remarks
* This figure is applicable to [(B)=F500001] or following machines.

Fig.126. ROPS(1)

(A)=SA221,EU
(B)=SA424,EU
(C)=

(D)=
(E)=
(F)=



No.	Lev.	Parts No.	Description	Qty						I	R
				(A)	(B)	(C)	(D)	(E)	(F)		
1	1	1A7510-11860	BOLT, M12X38	2	2						
2	1	1A6770-85920	BOLT, M12X30	6	6						
3	1	1A8330-85710	ROPS ASSY	1	1						
4	2	1A8300-85430	BOLT, M16X90	2	2						
5	2	1A8300-85440	NUT, M16	2	2						
6	2	1A8330-85720	FRAME ASSY, UPPER	1	1						
7	2	1A8330-85700	M ASSY,ROPS FRAME EU	1	1						
8	2	1A8330-85800	FRAME ASSY, RH LOWER	1	1						
9	2	1A8300-85910	PIN ASSY, STOPPER	2	2						
10	3	1A8300-85920	STOPPER ASSY, PIN	2	2						
11	3	1A8300-85930	CLIP, PIN	2	2						

Fig.127. ROPS(2)

(A)=SA221,EU
(B)=SA424,EU
(C)=

(D)=
(E)=
(F)=

No.	Lev.	Parts No.	Description	Q'ty						I	R	
				(A)	(B)	(C)	(D)	(E)	(F)			
1	1	1A8330-85840	ACOUSTIC ABSORBENT		2							
2	1	1A8330-85850	CAP, ROPS		2							

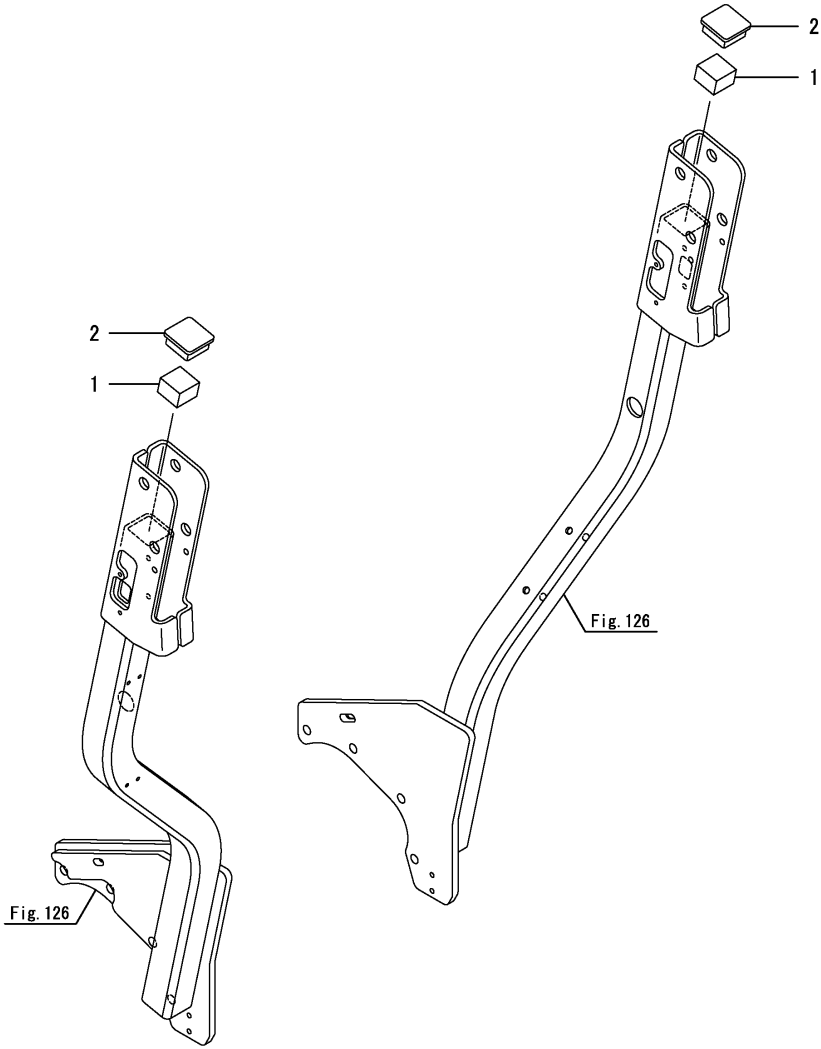
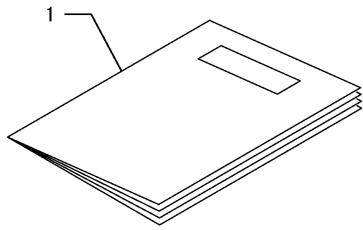


Fig.128. MANUAL

(A)=SA221,EU
(B)=SA424,EU
(C)=

(D)=
(E)=
(F)=

No.	Lev.	Parts No.	Description	Q'ty						I	R
				(A)	(B)	(C)	(D)	(E)	(F)		
1	1	0A041-EN0200	OPERATION MANUAL	1	1						



Remarks

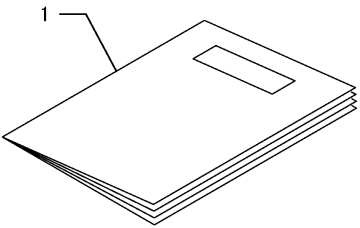
* This figure is applicable to [(A)=F500001][[(B)=F500000] or previous machines.
Please refer to Fig.164 since above-mentioned Engine Serial.

Fig.164. (128A)MANUAL

(A)=SA221,EU
(B)=SA424,EU
(C)=

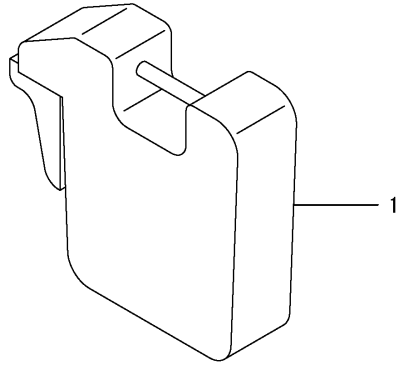
(D)=
(E)=
(F)=

No.	Lev.	Parts No.	Description	Q'ty						I	R
				(A)	(B)	(C)	(D)	(E)	(F)		
1	1	0A041-EN0320	OPERATION MANUAL	1	1						



Remarks
 * This figure is applicable to [(A)=F500002][[(B)=F500001] or following machines.
 Please refer to Fig.128 before above-mentioned Engine Serial.

Fig.165. FRONT WEIGHT



(A)=SA221,EU
(B)=SA424,EU
(C)=

(D)=
(E)=
(F)=

No.	Lev.	Parts No.	Description	Q'ty						I	R
				(A)	(B)	(C)	(D)	(E)	(F)		
1	1	1TS100-01001	FRONT WEIGHT 20	1	1						

Fig.166. STOPPER(ANGLE)

(A)=SA221,EU
(B)=SA424,EU
(C)=

(D)=
(E)=
(F)=

No.	Lev.	Parts No.	Description	Q'ty						I	R
				(A)	(B)	(C)	(D)	(E)	(F)		
1	1	1A8320-13100	STOPPER ASSY,ANGLE L		1						
2	1	1A8320-13130	STOPPER ASSY,ANGLE R		1						
3	1	1A8310-13910	BOLT, TENSION 10X30		4						

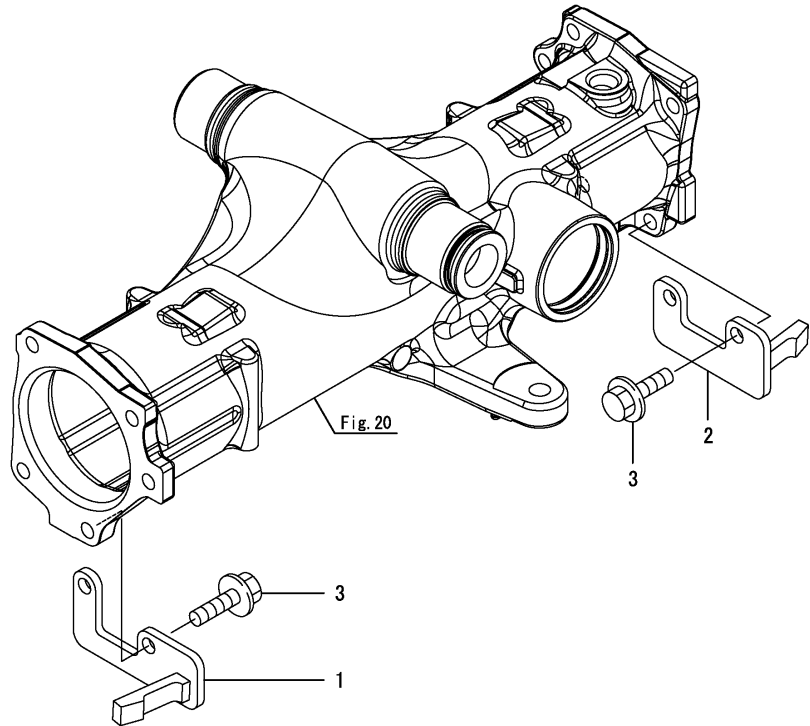
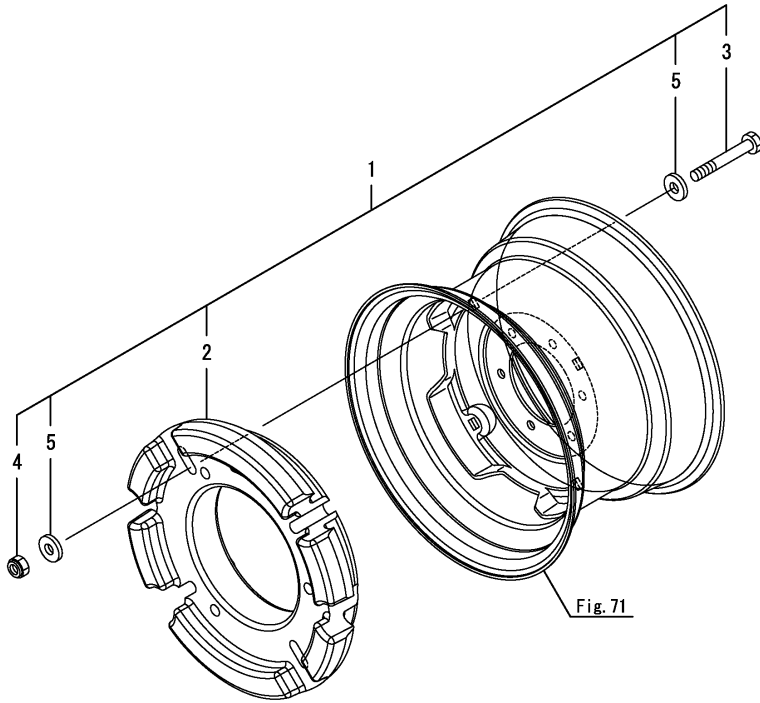


Fig.167. WEIGHT(REAR WHEEL)

(A)=SA221,EU
 (B)=SA424,EU
 (C)=

(D)=
 (E)=
 (F)=



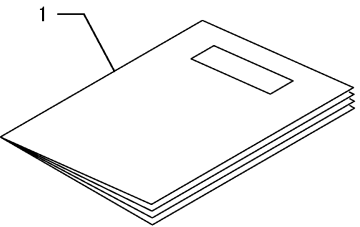
No.	Lev.	Parts No.	Description	Q'ty						I	R
				(A)	(B)	(C)	(D)	(E)	(F)		
1	1	1A8320-91300	WEIGHT KIT, WHEEL RE		1						
2	2	1A8320-91310	WEIGHT, WHEEL REAR		2						
3	2	1A8320-91320	BOLT, M14X100		8						
4	2	1A8320-91330	NUT, LOCK M14		8						
5	2	1A8320-91340	WASHER, 14		16						

Fig.168. MANUAL(FRENCH)

(A)=SA221,EU
(B)=SA424,EU
(C)=

(D)=
(E)=
(F)=

No.	Lev.	Parts No.	Description	Q'ty						I	R
				(A)	(B)	(C)	(D)	(E)	(F)		
1	1	0A041-FR0200	OPERATION MANUAL	1	1						



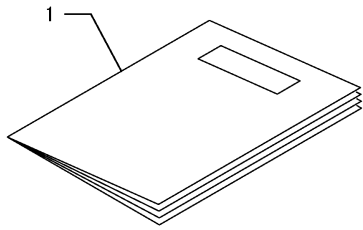
Remarks
 * This figure is applicable to [(A)=F500001][(B)=F500000] or previous machines.
 Please refer to Fig.178 since above-mentioned Engine Serial.

Fig.178. (168A)MANUAL(FRENCH)

(A)=SA221,EU
 (B)=SA424,EU
 (C)=

(D)=
 (E)=
 (F)=

No.	Lev.	Parts No.	Description	Qty						I	R
				(A)	(B)	(C)	(D)	(E)	(F)		
1	1	0A041-FR0320	OPERATION MANUAL	1	1						



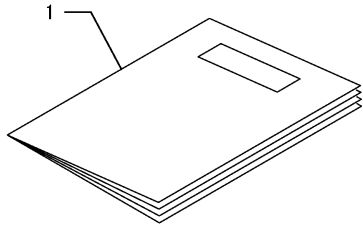
Remarks
 * This figure is applicable to [(A)=F500002][[(B)=F500001] or following machines.
 Please refer to Fig.168 before above-mentioned Engine Serial.

Fig.169. MANUAL(GERMAN)

(A)=SA221,EU
(B)=SA424,EU
(C)=

(D)=
(E)=
(F)=

No.	Lev.	Parts No.	Description	Q'ty						I	R
				(A)	(B)	(C)	(D)	(E)	(F)		
1	1	0A041-DE0200	OPERATION MANUAL	1	1						



Remarks

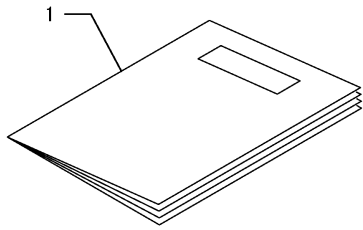
* This figure is applicable to [(A)=F500001][(B)=F500000] or previous machines.
Please refer to Fig.179 since above-mentioned Engine Serial.

Fig.179. (169A)MANUAL(GERMAN)

(A)=SA221,EU
(B)=SA424,EU
(C)=

(D)=
(E)=
(F)=

No.	Lev.	Parts No.	Description	Q'ty						I	R
				(A)	(B)	(C)	(D)	(E)	(F)		
1	1	0A041-DE0320	OPERATION MANUAL	1	1						



Remarks

* This figure is applicable to [(A)=F500002][[(B)=F500001] or following machines.
Please refer to Fig.169 before above-mentioned Engine Serial.

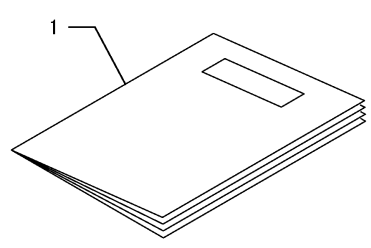
N:Old $\begin{matrix} \leftarrow \text{Yes} \\ \text{No} \rightarrow \end{matrix}$ New, Q:Old $\begin{matrix} \leftarrow \text{No} \\ \text{Yes} \rightarrow \end{matrix}$ New, R:Old $\begin{matrix} \leftarrow \text{Yes} \\ \text{Yes} \rightarrow \end{matrix}$ New, S:Old $\begin{matrix} \leftarrow \text{No} \\ \text{No} \rightarrow \end{matrix}$ New, W:Add, Z:Discontinued, F:Interchangeable by set, K:Q'ty Change

Fig.170. MANUAL(ITALIAN)

(A)=SA221,EU
(B)=SA424,EU
(C)=

(D)=
(E)=
(F)=

No.	Lev.	Parts No.	Description	Q'ty						I	R
				(A)	(B)	(C)	(D)	(E)	(F)		
1	1	0A041-IT0200	OPERATION MANUAL	1	1						



Remarks

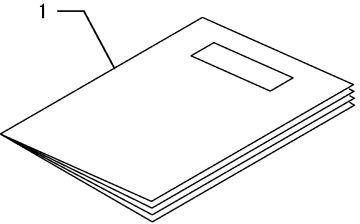
* This figure is applicable to [(A)=F500001][(B)=F500000] or previous machines.
Please refer to Fig.180 since above-mentioned Engine Serial.

Fig.180. (170A)MANUAL(ITALIAN)

(A)=SA221,EU
 (B)=SA424,EU
 (C)=

(D)=
 (E)=
 (F)=

No.	Lev.	Parts No.	Description	Qty						I	R
				(A)	(B)	(C)	(D)	(E)	(F)		
1	1	0A041-IT0320	OPERATION MANUAL	1	1						

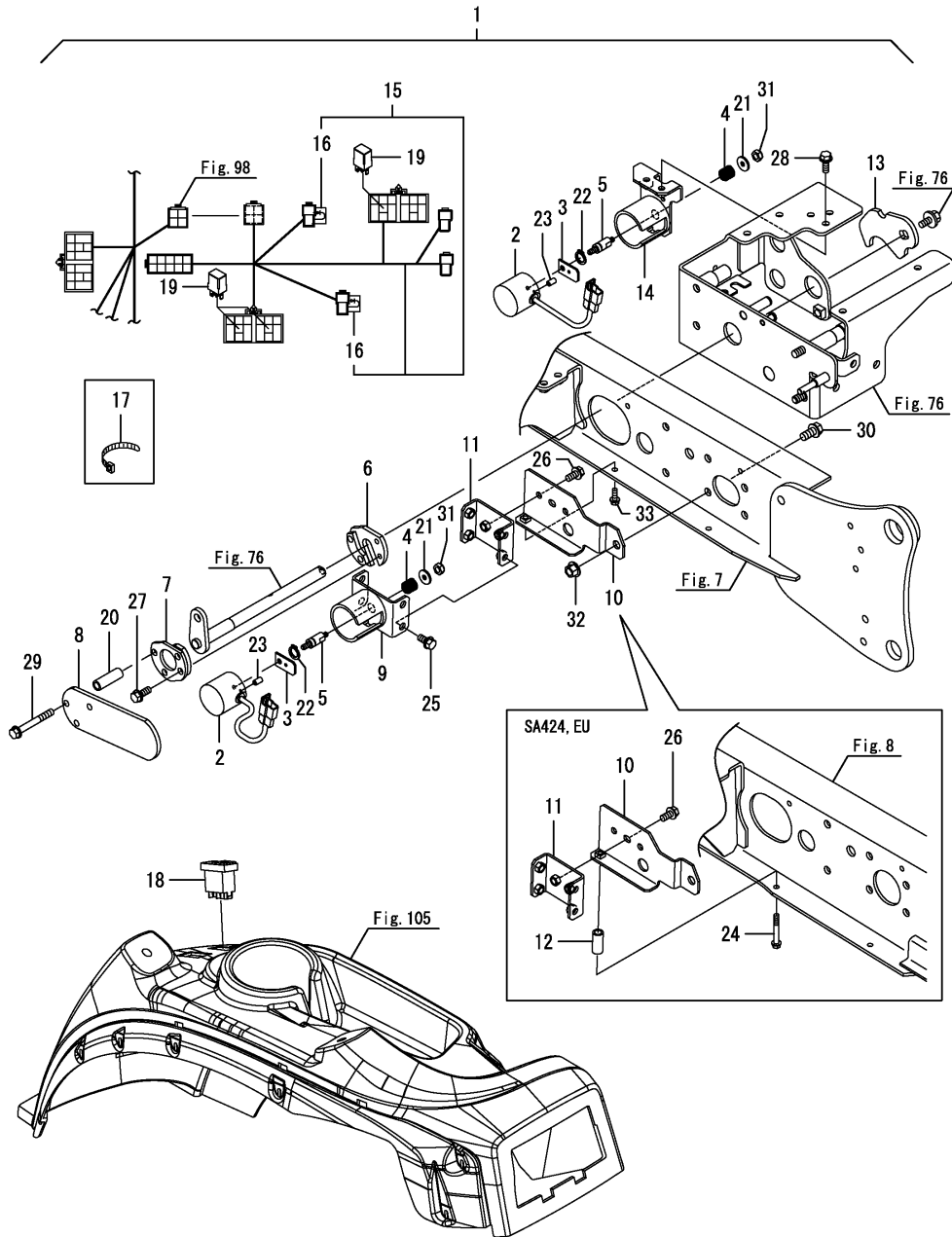


Remarks
 * This figure is applicable to [(A)=F500002][[(B)=F500001] or following machines.
 Please refer to Fig.170 before above-mentioned Engine Serial.

Fig.171. CRUISE CONTROL

(A)=SA221,EU
(B)=SA424,EU
(C)=

(D)=
(E)=
(F)=

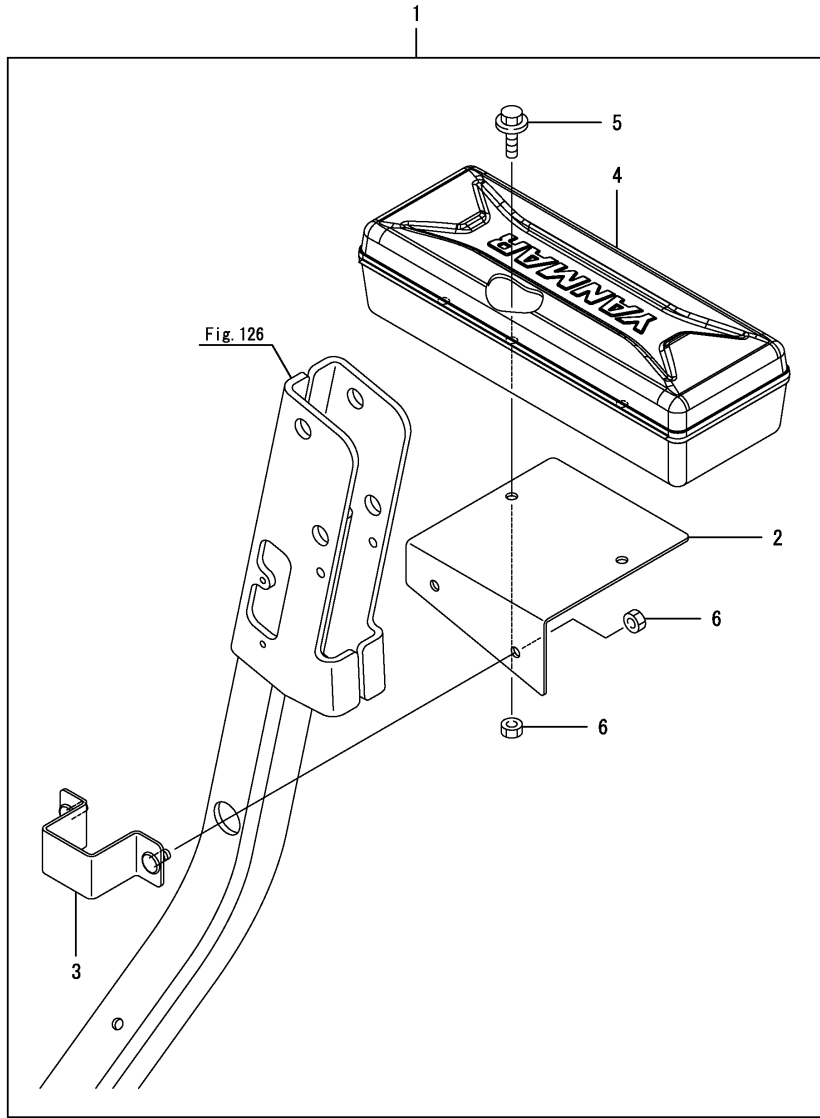


No.	Lev.	Parts No.	Description	Q'ty						I	R
				(A)	(B)	(C)	(D)	(E)	(F)		
1	1	1A8330-35901	CONTROL KIT, CRUISE	1	1						
2	2	1A8260-35100	MAGNET	2	2						
3	2	1A8260-35111	PLATE, STOPPER	2	2						
4	2	1A8260-35120	SPRING, 1.0X16X19	2	2						
5	2	1A8260-35131	BOLT, STEPPED 1/4-20	2	2						
6	2	1A8320-35610	PLATE ASSY, CRUISE OU	1	1						
7	2	1A8320-35650	PLATE ASSY, CRUISE IN	1	1						
8	2	1A8320-35680	PLATE, MAGNET	1	1						
9	2	1A8320-35710	GUIDE ASSY, MAGNET	1	1						
10	2	1A8320-35750	BRACKET ASSY, MAGNET	1	1						
11	2	1A8320-35770	PLATE ASSY, MAGNET	1	1						
12	2	1A8320-35790	COLLAR, 9.2X13.8X30.7				1				
13	2	1A8330-35910	ARM, CRUISE	1	1						
14	2	1A8330-35920	BRACKET, MAGNET	1	1						
15	2	1A8330-51201	HARNESS ASSY, CRUISE	1	1						
16	3	1A7500-51130	DIODE, 3.0A	2	2						
17	2	1A8300-51210	BAND, REPEAT	15	15						
18	2	1A8275-52200	SWITCH, CRUISE	1	1						
19	2	1A7522-52950	RELAY, ACM13221M19	3	3						
20	2	1A1580-61540	COLLAR, 9.2X13.8X42	3	3						
21	2	22157-060000	WASHER, 6	2	2						
22	2	22242-000120	RING, 12	2	2						
23	2	22351-040008	PIN, SPRING 4.0X 8	2	2						
24	2	26106-060452	BOLT, M6X 45 PLATED				1				
25	2	26106-080162	BOLT, M8X 16 PLATED	4	4						
26	2	26106-080162	BOLT, M8X 16 PLATED	2	2						
27	2	26106-080202	BOLT, M8X 20 PLATED	1	1						
28	2	26106-080202	BOLT, M8X 20 PLATED	2	2						
29	2	26106-080652	BOLT, M8X 65 PLATED	3	3						
30	2	26106-100202	BOLT, M10X 20 PLATED	1	1						
31	2	26347-060002	NUT, M6	2	2						
32	2	26366-100002	NUT, M10	1	1						
33	2	26106-060162	BOLT, M6X 16 PLATED	1							

Fig.172. TOOL BOX

(A)=SA221,EU
(B)=SA424,EU
(C)=

(D)=
(E)=
(F)=

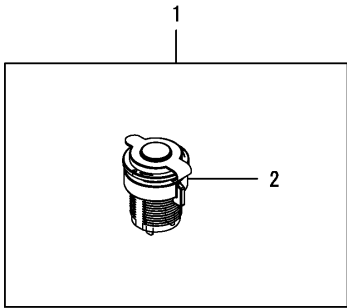


No.	Lev.	Parts No.	Description	Q'ty						I	R
				(A)	(B)	(C)	(D)	(E)	(F)		
1	1	1A8330-64100	TOOLBOX ASSY	1	1						
2	2	1A8330-64110	BRACKET, TOOLBOX	1	1						
3	2	1A8330-64130	BRACKET, ACC	1	1						
4	2	1A7601-64810	TOOLBOX	1	1						
5	2	26106-080162	BOLT, M8X 16 PLATED	2	2						
6	2	26716-080002	NUT, M8	4	4						

Fig.173. OPOWER SUPPLY SOCKET

(A)=SA221,EU
 (B)=SA424,EU
 (C)=

(D)=
 (E)=
 (F)=

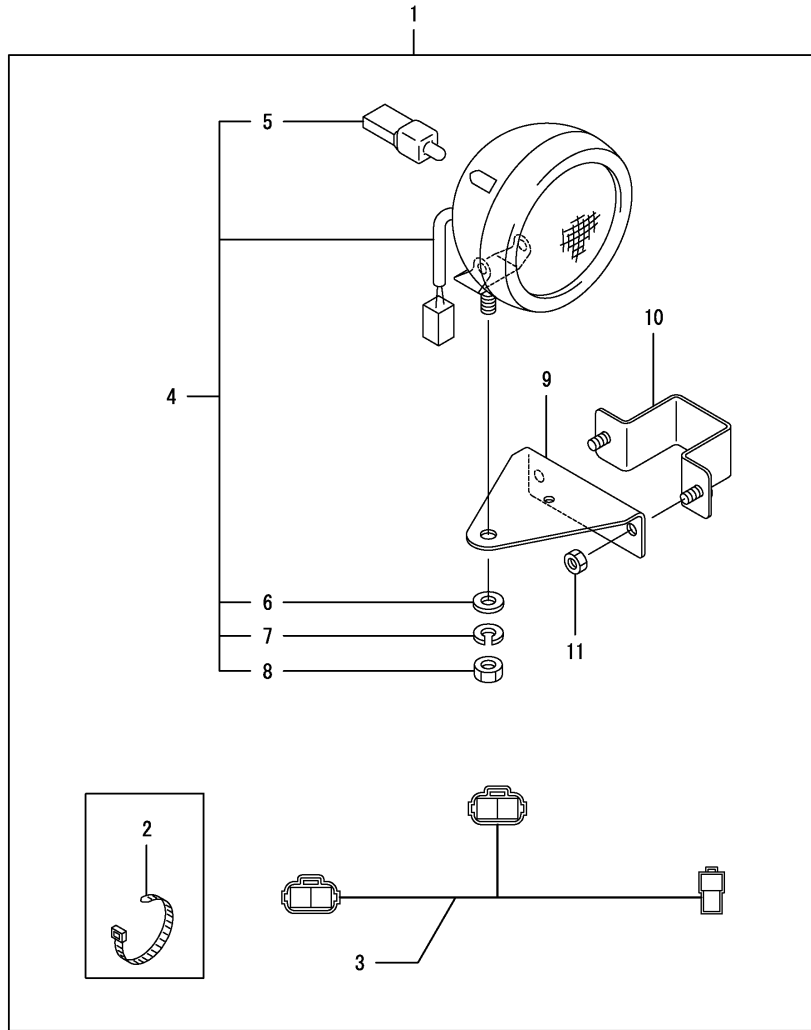


No.	Lev.	Parts No.	Description	Q'ty						I	R
				(A)	(B)	(C)	(D)	(E)	(F)		
1	1	1A8330-57990	OPTION KIT, DC12V	1	1						
2	2	1A7880-57100	SOCKET, POWER	1	1						

Fig.174. WORK LAMP

(A)=SA221,EU
(B)=SA424,EU
(C)=

(D)=
(E)=
(F)=

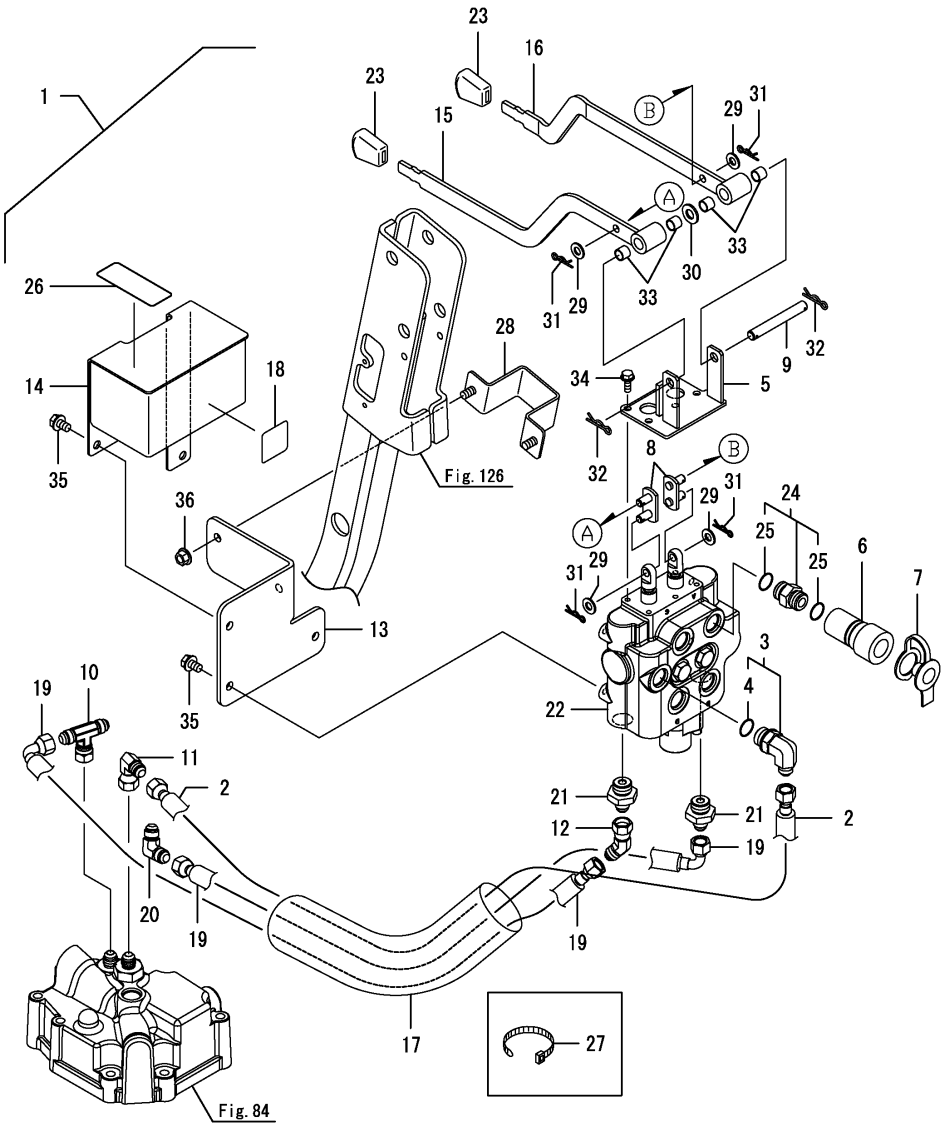


No.	Lev.	Parts No.	Description	Q'ty						I	R
				(A)	(B)	(C)	(D)	(E)	(F)		
1	1	1A8330-55100	LAMP KIT, WORK	1	1						
2	2	1A8300-51210	BAND, REPEAT	4	4						
3	2	1A8275-51260	WIRE, WORK LAMP	1	1						
4	2	1A7340-54100	LAMP ASSY, WORK	2	2						
5	3	1A7470-86270	BULB, 12V-35W	2	2						
6	3	22137-100000	WASHER, 10	2	2						
7	3	22217-100000	WASHER, SPRING 10	2	2						
8	3	26736-100002	NUT, M10	2	2						
9	2	1A8330-55110	STAY, WORK LAMP	2	2						
10	2	1A8330-64130	BRACKET, ACC	2	2						
11	2	26716-080002	NUT, M8	4	4						

Fig.175. MOUNT(FLASHER)

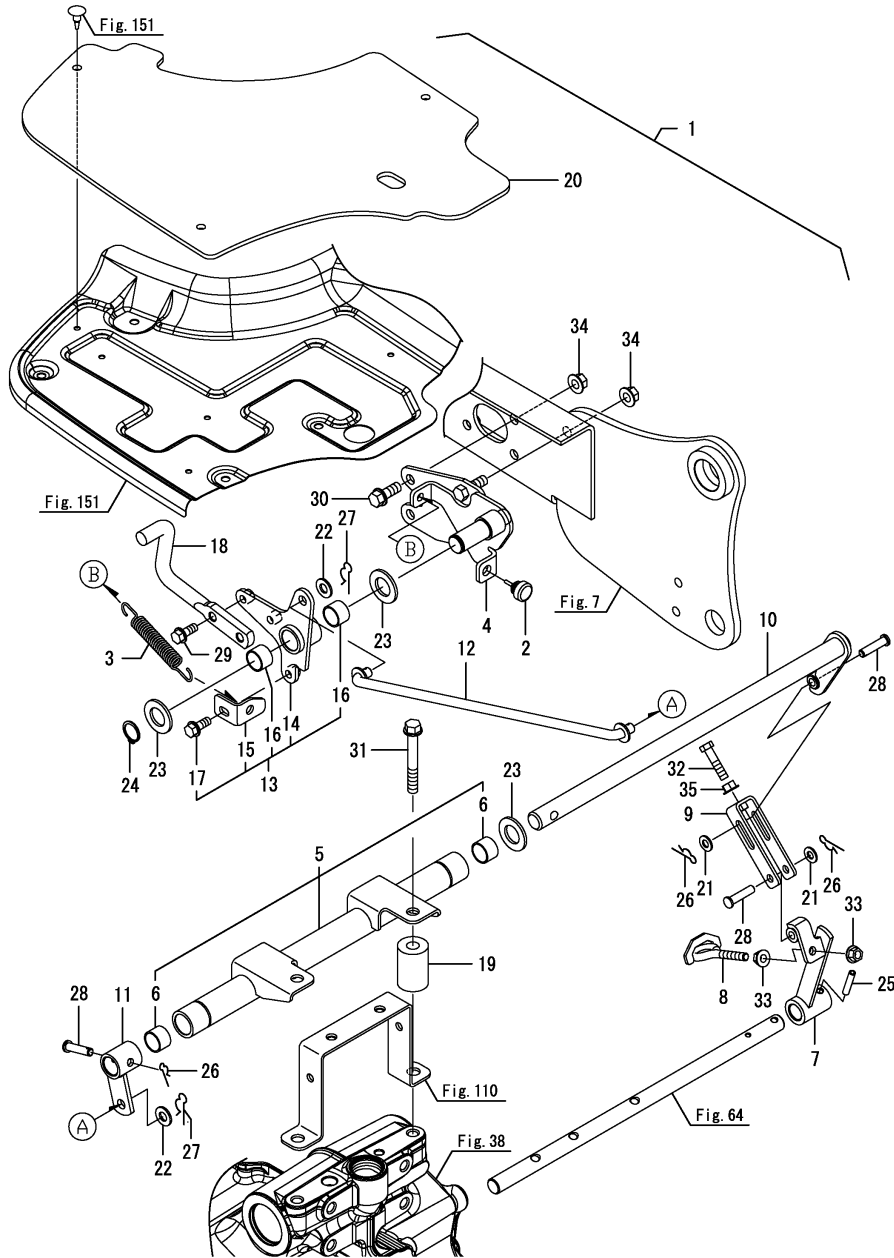
(A)=SA221,EU
(B)=SA424,EU
(C)=

(D)=
(E)=
(F)=



No.	Lev.	Parts No.	Description	Q'ty						I	R
				(A)	(B)	(C)	(D)	(E)	(F)		
1	1	1A8330-99670	VALVE KIT, R-REMOTE	1	1						
2	2	1TN325-41450	HOSE,HIGH PRESSURE C	1	1						
3	2	1A8330-46050	JOINT,90 3/4-16	1	1						
4	3	24361-090800	PACKING, AS 908	1	1						
5	2	1A8265-46200	STAY ASSY, LEVER	1	1						
6	2	1A8160-46250	COUPLER, QUICK 3/8	4	4						
7	2	198240-46280	PLUG, DUST	4	4						
8	2	1A8265-46350	LINK ASSY	2	2						
9	2	1A8265-46390	PIN, LEVER	1	1						
10	2	1A8330-46810	TEE, SWIVEL 9/16UNF	1	1						
11	2	1A8330-46820	ELBOW, SWIVEL 9/16	1	1						
12	2	1A8330-46830	ELBOW, 45 SWIVEL9/16	1	1						
13	2	1A8330-46850	BRACKET, VALVE	1	1						
14	2	1A8330-46860	COVER	1	1						
15	2	1A8330-46910	LEVER ASSY, A	1	1						
16	2	1A8330-46920	LEVER ASSY, B	1	1						
17	2	1A8330-46960	COVER, HOSE REAR	1	1						
18	2	1A8330-46970	LABEL, SCV PORT	1	1						
19	2	1A7882-47100	HOSE, HIGH PRESSURE	2	2						
20	2	1A8330-47120	JOINT, 90 ELBOW	1	1						
21	2	1A7882-47210	JOINT ASSY	2	2						
22	2	1A8330-47700	SCV ASSY	1	1						
23	2	194273-47910	KNOB, CHANGE LEVER	2	2						
24	2	1A8250-48280	JOINT/HYD, 3/4-16UNF	4	4						
25	3	194464-45930	O-RING, 8-1	8	8						
26	2	1A8265-48970	LABEL,R REMOTE LEVER	1	1						
27	2	1A8300-51210	BAND, REPEAT	4	4						
28	2	1A8330-64130	BRACKET, ACC	1	1						
29	2	22137-080000	WASHER, 8	4	4						
30	2	22137-100000	WASHER, 10	1	1						
31	2	22372-080000	PIN, SNAP 8	4	4						
32	2	22372-100000	PIN, SNAP 10	2	2						
33	2	24550-010100	BUSH, 10X10	4	4						
34	2	26106-060162	BOLT, M6X 16 PLATED	4	4						
35	2	26106-080122	BOLT, M8X 12 PLATED	3	3						
36	2	26366-080002	NUT, M8	2	2						

Fig.181. LINK(DIFF LOCK PEDAL)



(A)=SA221,EU
(B)=SA424,EU
(C)=

(D)=
(E)=
(F)=

No.	Lev.	Parts No.	Description	Qty						I	R
				(A)	(B)	(C)	(D)	(E)	(F)		
1	1	1A8330-67002	LINK KIT, DIFF LOCK	1							
2	2	194330-62530	STOPPER, PEDAL	1							
3	2	1A8320-63480	SPRING, RETURN	1							
4	2	1A8330-67111	BRACKET ASSY, DIFF P	1							
5	2	1A8330-67210	BRACKET UNIT, SHAFT	1							
6	3	24550-020150	BUSH, 20X15	2							
7	2	1A8330-67400	ARM ASSY, DIF LOCK P	1							
8	2	1A8330-67450	ADJUSTER, LINK	1							
9	2	1A8330-67470	ADJUSTER, LINK	1							
10	2	1A8330-67510	SHAFT ASSY, LINK	1							
11	2	1A8330-67610	ARM ASSY, SHAFT	1							
12	2	1A8330-67650	ROD ASSY, LINK	1							
13	2	1A8330-67710	LINK UNIT,DIFF PEDAL	1							
14	3	1A8330-67720	LINK ASSY,DIFF PEDAL	1							
15	3	1A8330-67750	STAY, STOPPER	1							
16	3	24550-020150	BUSH, 20X15	2							
17	3	26106-080202	BOLT, M8X 20 PLATED	1							
18	2	1A8330-67770	PEDAL, DIFF. LOCK	1							
19	2	1A8330-67870	COLLAR	2							
20	2	1A8330-67970	SHEET, STEP L	1							
21	2	22137-080000	WASHER, 8	2							
22	2	22137-100000	WASHER, 10	2							
23	2	22137-200000	WASHER, 20	3							
24	2	22242-000200	RING, 20	1							
25	2	22351-060032	PIN, SPRING 6.0X32	1							
26	2	22372-080000	PIN, SNAP 8	3							
27	2	22372-100000	PIN, SNAP 10	2							
28	2	22487-080300	PIN, 8X 30	3							
29	2	26106-080202	BOLT, M8X 20 PLATED	2							
30	2	26106-100252	BOLT, M10X 25 PLATED	2							
31	2	26106-120752	BOLT, M12X 75 PLATED	2							
32	2	26116-080354	BOLT, M8X 35 PLATED	1							
33	2	26366-080002	NUT, M8	2							
34	2	26366-100002	NUT, M10	3							
35	2	26366-080002	NUT, M8	1							

Remarks

* This figure is applicable to [(A)=F500002] or following machines.

N:Old $\xrightarrow{\text{Yes}}$ New, Q:Old $\xrightarrow{\text{No}}$ New, R:Old $\xrightarrow{\text{Yes}}$ New, S:Old $\xrightarrow{\text{No}}$ New, W:Add, Z:Discontinued, F:Interchangeable by set, K:Qty Change

Parts No. Index

Parts No.	Fig. No.	Ref. No.
0A041-DE0200	169	1
0A041-DE0320	179	1
0A041-EN0200	128	1
0A041-EN0320	164	1
0A041-FR0200	168	1
0A041-FR0320	178	1
0A041-IT0200	170	1
0A041-IT0320	180	1
102103-55520	31	31
104200-55330	31	28
104200-55750	31	36
110250-55610	31	32
114270-59010	3	15
	30	5
	31	40
119225-52102	31	25
119810-55340	31	29
119810-55650	31	33
121257-55720	31	34
121257-55731	31	35
124756-77040	98	24
	144	30
129052-13550	1	13
	2	14
	141	14
	142	14
129052-55630	31	38
129053-55621	31	27
129107-44590	3	3
129107-55510	31	30
129211-77920	145	33
	146	31
129263-44510	3	12
168234-00010	84	1
168234-00020	85	1
168H61-29260	59	13
168H61-29360	59	15
168H64-29150	59	7
168H81-29060	59	4
168H86-29450	59	17
168H86-29530	59	21
168H88-29310	59	14
168H8N-29400	59	16 -1
168H8S-29010	59	1
168H8S-29100	59	5
168H8S-29130	59	6
168H8S-29200	59	8
168H8S-29210	59	9
168H8S-29400	59	16
168H8S-29450	59	18

Parts No.	Fig. No.	Ref. No.
168H8S-29500	59	19
168H8S-29520	59	20
168H8S-29610	59	22
168H8S-29830	59	23
168H8S-99000	59	26
168HQ0-87730	41	3
172122-46590	90	5
172531-17300	100	2
	145	3
	146	3
172544-16200	147	1
172B16-17190	100	1
	145	2
	146	2
174570-57110	145	31
	146	29
175022-49730	3	13
		14
177432-03450	21	1
192154-29610	76	5
192154-29611	143	5
192157-24200	77	1
192157-26600	41	10
192157-26641	41	12
192157-27510	60	1
192163-24420	59	2
192167-25260	59	3
192180-31510	61	2
192180-31850	61	8
194130-44480	83	7
194130-47851	106	3
194145-27450	52	5
194150-27870	50	5
194155-52160	100	5
	145	11
	146	11
194155-52190	100	6
	145	12
	146	12
194180-51640	76	57
	143	56
194205-42280	38	2
194208-47530	92	8
	140	9
194215-12341	14	8
	33	1
194273-47910	175	23
194312-32660	21	6
194312-46630	86	3
194314-12720	23	1

Parts No.	Fig. No.	Ref. No.
194330-62530	1	29
	2	19
	10	10
	76	26
	141	20
	142	20
	143	25
	177	1
	181	2
194440-51620	31	52
	60	3
194464-45930	175	25
194521-41570	59	25
194550-46300	86	1
194556-42220	84	3
	85	3
194640-46420	87	5
194680-51670	31	24
		24 -1
	35	3
	98	22
	144	27
194697-62560	108	6
	110	1
	151	5
	152	4
194740-00160	31	13
194850-49290	96	1 A
		2 A
		3 A
		5 A
194881-12650	29	1
194940-61790	102	2
	148	22
194990-22050	92	1
	140	1
194990-22120	100	3
194990-22130	1	14
	2	15
	3	11
	30	2
	98	1
	99	1
	103	4
		5
	105	40
	106	52
	112	2
	141	15
	142	15

Parts No.	Fig. No.	Ref. No.	
194990-22130	144	1	
		2	
	145	5	
		6	
		7	
	146	5	
		6	
		7	
	149	3	
194990-22140	1	15	
		28	
	2	16	
		17	
	9	5	
	10	5	
	30	3	
	31	23	
	55	9	
	76	1	
		2	
		3	
		90	1
		98	2
			3
	105	4	
			13
			38
	106	7	
			16
			50
	108	1	
	109	1	
	137	3	
	141	16	
		17	
	142	16	
		17	
	143	1	
		2	
		3	
	144	3	
		4	
	147	2	
		3	
		4	
	151	1	
	152	1	
194990-22150	9	6	
		7	
		8	

Parts No. Index

Parts No.	Fig. No.	Ref. No.
194990-22150	10	9
	76	4
	143	4
194990-85561	90	9
195230-17260	124	1
195616-24930	30	4
	78	1
	98	4
	106	1
	144	5
198071-01160	6	1
198071-24350	39	2
198071-58810	31	39
198071-61890	104	9
	150	9
198071-65610	103	31
	105	9
		18
	106	12
		21
	149	31
198072-60590	104	2
	150	2
198119-27150	52	1
	54	1
	57	1
	64	1
	138	1
198119-48310	95	4
198121-47111	106	2
198133-51350	147	5
198133-78840	100	15
198153-51700	98	11
	144	15
198163-51520	101	5
198163-52110	101	2
	148	2
198163-52120	101	3
	148	3
198163-52150	101	1
	148	1
198163-53310	101	6
198163-53320	101	9
198163-53330	101	12
198163-53340	101	14
198163-53350	101	15
198164-27970	90	2
198165-04380	1	6
	2	7
	141	7

Parts No.	Fig. No.	Ref. No.
198165-04380	142	7
198165-85970	11	3
	12	3
198167-24900	95	1
198167-24950	95	2
198167-35411	76	18
	143	17
198200-01260	31	15
198200-04040	31	4 A
198200-36390	77	5
198200-47810	93	3
198220-46400	87	3
198223-46250	96	4
198223-52151	100	8
	145	17
	146	15
198226-52100	100	4
	145	10
	146	10
198240-46280	175	7
198253-01190	6	2
	58	1
198253-75430	124	9
198280-11831	13	1
198280-11840	13	2
198280-52091	100	31
	145	9
	146	9
198280-53750	101	20
	148	20
198280-62260	105	24
	106	27
198280-62270	105	25
	106	28
198280-63100	111	2
198280-63112	111	3
198280-63140	111	4
198280-63150	111	5
198280-63160	111	6
198280-63180	111	7
198280-63200	111	9
198280-63220	111	10
198280-63230	111	11
198280-63240	111	12
198280-63270	111	13
198280-63280	111	14
198280-63290	111	15
198280-63300	111	16
198280-63340	111	8
198280-65210	119	4

Parts No.	Fig. No.	Ref. No.
198280-75100	124	2 -1
198280-75200	124	2
198280-75210-1	124	3
198280-75250	124	4
198280-75260	124	5
198360-03260	104	1
	150	1
198421-37511	76	51
	143	50
198535-52110	98	13
	144	17
198535-52120	144	18
198535-52130	98	14
	144	19
198535-52140	144	20
198535-62780	13	3
1A1040-28470	39	3
1A1580-61540	171	20
1A6382-51510	98	10
	144	14
1A6640-47520	92	7
	140	8
1A6750-29220	59	10
1A6750-29230	59	12
1A6750-29830	59	23 -1
1A6750-29850	59	24
1A6750-62610	105	36
	106	46
1A6770-26600	41	11
1A6770-85920	126	2
1A7030-52810	98	16
1A7090-31850	61	9
1A7100-53220	101	7
		13
1A7100-53230	101	8
1A7100-53400	101	18
	148	4
1A7100-53420	101	19
	148	5
1A7100-64110	154	2
1A7130-11790	9	4
	10	4
1A7130-13220	16	3
1A7130-13230	16	4
1A7130-13240	16	5
1A7130-13250	16	6
1A7180-61780	103	19
		20
		21
		22

Parts No.	Fig. No.	Ref. No.
1A7180-61780	103	23
		24
		25
		26
		27
	105	2
		5
		14
	106	5
		8
		17
	149	18
		19
		20
		21
		22
		23
		24
		25
		26
1A7180-63550	78	16
1A7335-52120	100	7
	145	13
	146	13
1A7340-54100	174	4
1A7340-65080	114	1
	156	1
1A7400-53530	148	17
1A7410-86220	105	37
	106	47
1A7470-86270	174	5
1A7500-51130	98	7
	144	10
	171	16
1A7500-51160	98	8
		20
	144	12
		26
1A7500-51170	98	9
	144	13
1A7510-11860	126	1
1A7510-36490	78	2
1A7510-36550	78	3
1A7510-57200	100	24
		145
		32
		146
		30
1A7522-52950	100	22
		145
		29
		146
		27
		171
		19

Parts No. Index

Parts No.	Fig. No.	Ref. No.
1A7531-52420	98	15
	144	21
1A7540-26620	48	9
1A7540-26630	48	10
1A7540-26640	48	11
1A7540-26670	48	12
1A7601-64810	172	4
1A7680-45320	87	1
1A7680-45370	87	2
1A7680-46410	87	4
1A7870-24910	38	10
1A7874-53310	101	10
1A7874-65400	119	2
	161	3
1A7874-65470	114	3
	156	5
1A7880-15700	32	1
1A7880-15740	32	2
1A7880-15880	115	1
	116	1
	157	1
	158	1
1A7880-17320	34	2
1A7880-29430	76	44
	143	43
1A7880-37200	76	50
	143	49
1A7880-43380	81	6
	82	6
1A7880-43410	81	7
	82	7
1A7880-43500	81	8
	82	8
1A7880-47550	96	9
1A7880-47560	96	10
1A7880-47570	96	11
1A7880-47580	96	12
1A7880-47750	90	6
1A7880-47950	90	7
1A7880-51730	98	12
	144	16
1A7880-52200	100	11
	145	20
	146	18
1A7880-52210	100	12
	145	21
	146	19
1A7880-52250	100	14
1A7880-57100	173	2
1A7880-65370	115	4

Parts No.	Fig. No.	Ref. No.
1A7880-65370	116	4
	157	4
	158	4
1A7880-65722	115	8
	116	9
	157	8
	158	9
1A7882-47100	175	19
1A7882-47210	41	7
	79	2
	80	2
	84	7
	85	7
	88	8
	175	21
1A8043-53600	148	14
1A8043-53640	148	18
1A8060-52130	145	14
1A8060-52140	145	15
	146	14
1A8060-52170	140	14
	145	16
1A8060-53400	148	6
1A8060-53430	148	7
		15
1A8060-53440	148	8
		16
1A8060-53450	148	9
1A8060-65590	157	6
	158	7
1A8060-67780	53	2
1A8060-68310	55	5
1A8061-65130	162	1
	163	1
1A8061-65140	161	1
1A8070-61330	103	17
	149	15
	149	15
1A8160-35080	76	41
1A8160-46250	175	6
1A8160-51130	144	11
1A8160-51500	99	2
1A8160-51522	99	3
1A8160-51531	99	3 A
1A8160-51600	99	4
1A8160-52300	100	16
		19
		28
	145	23
		26
		40

Parts No.	Fig. No.	Ref. No.
1A8160-52300	146	21
		24
		38
1A8160-52310	100	17
		20
		29
	145	24
		27
		41
	146	22
		25
		39
1A8160-52330	100	13
		18
		21
		30
	145	22
		25
		28
		42
	146	20
		23
		26
		40
1A8240-62561-1	109	2
1A8250-46640	93	1
1A8250-48280	175	24
1A8250-65390	115	5
	116	5
1A8250-65580	115	6
	116	7
	157	5
	158	6
1A8250-65690	115	7
	116	8
	157	7
	158	8
1A8260-35100	171	2
1A8260-35111	171	3
1A8260-35120	171	4
1A8260-35131	171	5
1A8265-46200	175	5
1A8265-46350	175	8
1A8265-46390	175	9
1A8265-48970	175	26
1A8275-26790	48	13
1A8275-48050	40	12
1A8275-51260	174	3
1A8275-51540	99	3 B
1A8275-51610	99	5

Parts No.	Fig. No.	Ref. No.	
1A8275-51620	99	6	
1A8275-52200	171	18	
1A8300-51210	98	32	
		33	
		34	
		35	
	144	44	
		45	
		46	
		47	
		171	17
		174	2
		175	27
1A8300-53300	101	4	
1A8300-53320	101	11	
1A8300-61750	154	1	
1A8300-85430	126	4	
1A8300-85440	126	5	
1A8300-85910	126	9	
1A8300-85920	126	10	
1A8300-85930	126	11	
1A8310-13910	21	5	
	166	3	
1A8320-01650	2	2	
	142	2	
1A8320-01710	2	4	
1A8320-01711	2	4 -1	
1A8320-01712	2	4 -2	
1A8320-01713	2	4 -3	
	142	4	
1A8320-01800	5	1	
1A8320-03110	2	6	
	142	6	
1A8320-05250	2	12	
	142	12	
1A8320-10091	8	1	
1A8320-10092	8	1 -1	
1A8320-10700	10	1	
1A8320-10701	10	1 -1	
1A8320-10800	10	2	
1A8320-10801	10	2 -1	
1A8320-10850-1	10	6	
1A8320-10910	10	7	
1A8320-11590	12	1	
1A8320-13100	166	1	
1A8320-13130	166	2	
1A8320-13400	18	1	
1A8320-14110	23	5	
1A8320-14600	26	1	
1A8320-14610	26	2	

Parts No. Index

Parts No.	Fig. No.	Ref. No.
1A8320-14620	26	3
1A8320-14700	28	1
1A8320-14710	28	2
		6
1A8320-14720	28	3
		7
1A8320-14750	26	4
	28	4
		8
	130	4
	132	4
		8
1A8320-14800	28	5
1A8320-25520	43	1
1A8320-25710	45	1
1A8320-27410	52	2
1A8320-27420	52	3
1A8320-27430	52	4
1A8320-32610	63	1
1A8320-32660	63	2
1A8320-33510	67	1
1A8320-34100	69	1
1A8320-34600	71	1
1A8320-34610	71	2
1A8320-34620	71	3
1A8320-34650	71	4
	134	4
1A8320-34900	73	1
1A8320-34910	73	2
		6
1A8320-34920	73	3
		7
1A8320-34950	73	4
		8
	136	4
		8
1A8320-34960	73	5
1A8320-35610	171	6
1A8320-35650	171	7
1A8320-35680	171	8
1A8320-35710	171	9
1A8320-35750	171	10
1A8320-35770	171	11
1A8320-35790	171	12
1A8320-41120	80	1
1A8320-43100	82	3
1A8320-43250	82	4
1A8320-45210	85	4
1A8320-45211	85	4 -1
1A8320-47210	92	2

Parts No.	Fig. No.	Ref. No.
1A8320-47210	140	2
1A8320-47250	92	3
1A8320-47310	92	4
	140	4
1A8320-47420	92	5
	140	6
1A8320-47450	92	6
	140	7
1A8320-47540	92	9
	140	10
1A8320-47550	92	10
	140	11
1A8320-47610	92	11
	140	12
1A8320-47780	92	12
	140	13
1A8320-62060	106	6
1A8320-62061	106	6 -1
1A8320-62070	106	15
1A8320-62071	106	15 -1
1A8320-62200	106	19
1A8320-62201	106	19 -1
1A8320-62210	106	10
1A8320-62211	106	10 -1
1A8320-62600	152	2
1A8320-63440	177	2
1A8320-63480	181	3
1A8320-65331	116	2
	158	2
1A8320-65460	116	6
	158	5
1A8320-65530	118	1
1A8320-65540	118	2
1A8320-65630	160	2
1A8320-71000	122	1
1A8320-72100	122	11
1A8320-72110	122	12
1A8320-72300	122	18
1A8320-73400	122	22
1A8320-73500	122	23
1A8320-75710	124	10
1A8320-75770	124	11
1A8320-75780	124	12
1A8320-91300	167	1
1A8320-91310	167	2
1A8320-91320	167	3
1A8320-91330	167	4
1A8320-91340	167	5
1A8321-14500	130	1
1A8321-14510	130	2

Parts No.	Fig. No.	Ref. No.
1A8321-14520	130	3
	132	2
		6
1A8321-14700	132	1
1A8321-14710	132	3
		7
1A8321-14800	132	5
1A8321-34600	134	1
1A8321-34610	134	2
1A8321-34620	134	3
1A8321-34900	136	1
1A8321-34910	136	2
		6
1A8321-34920	136	3
		7
1A8321-34960	136	5
1A8322-47250	140	3
1A8322-47350	140	5
1A8322-47450	146	8
1A8330-00510	3	1
1A8330-00610	3	2
1A8330-01110	31	14
1A8330-01150	31	2
1A8330-01200	3	4
1A8330-01201	3	4 -1
1A8330-01202	3	4 -2
1A8330-01250	3	5
1A8330-01251	3	5 -1
1A8330-01310	30	1
1A8330-01410	3	6
1A8330-01421	3	7
1A8330-01460	3	8
1A8330-01500	3	9
1A8330-01560	3	10
1A8330-01610	1	1
	2	1
1A8330-01660	1	27
	141	2
1A8330-01701	1	2
	2	3
	141	3
	142	3
1A8330-01710	1	3
	141	4
1A8330-01750	1	4
	2	5
	141	5
	142	5
1A8330-01800	4	1
1A8330-03110	1	5

Parts No.	Fig. No.	Ref. No.
1A8330-03110	141	6
1A8330-04011	31	3
1A8330-04030	31	4
1A8330-04050	31	8
1A8330-04070	31	5
1A8330-04081	31	9
1A8330-04200	31	10
1A8330-04201	31	10 -1
1A8330-04610	31	11
1A8330-05100	1	7
	2	8
	141	8
	142	8
1A8330-05110	1	8
	2	9
	141	9
	142	9
1A8330-05120	1	9
	2	10
	141	10
	142	10
1A8330-05201	1	10
	2	11
	141	11
	142	11
1A8330-05250	1	11
	141	12
1A8330-05300	1	12
	2	13
	141	13
	142	13
1A8330-10091	7	1
1A8330-10092	7	1 -1
1A8330-10510	7	3
	8	3
1A8330-10520	7	4
	8	4
1A8330-10700	9	1
1A8330-10701	9	1 -1
1A8330-10800	9	2
1A8330-10801	9	2 -1
1A8330-10851	9	3
	10	3
1A8330-11590	11	1
1A8330-11800	13	8
1A8330-11801	13	8 -1
1A8330-12310	14	1
1A8330-12311	14	1 -1
1A8330-12460	14	2
		5

Parts No. Index

Parts No.	Fig. No.	Ref. No.
1A8330-13130	15	1
	23	2
1A8330-13170	15	2
1A8330-13200	16	2
1A8330-13260	16	7
1A8330-13270	20	2
1A8330-13290	16	8
1A8330-13300	15	3
1A8330-13310	15	4
1A8330-13320	15	5
1A8330-13370	16	9
1A8330-13400	17	1
1A8330-13510	19	1
1A8330-13520	19	2
1A8330-13570	19	3
1A8330-13580	22	1
1A8330-13603	20	1
1A8330-13650	19	4
1A8330-13660	19	5
1A8330-13670	19	6
1A8330-13711	21	2
1A8330-13732	21	3
1A8330-13733	21	3 -1
1A8330-13750	20	3
1A8330-13790	21	4
1A8330-13810	22	2
1A8330-13870	22	3
1A8330-13910	23	3
1A8330-13920	23	4
1A8330-13991	16	1
1A8330-14130	23	6
1A8330-14170	23	7
1A8330-14171	23	7 -1
1A8330-14500	25	1
1A8330-14510	25	2
1A8330-14620	24	1
1A8330-14700	27	1
1A8330-14710	27	2
		6
1A8330-14720	25	3
	27	3
		7
1A8330-14750	25	4
	27	4
		8
	70	2
	72	2
		6
	129	4
	131	4

Parts No.	Fig. No.	Ref. No.
1A8330-14750	131	8
	133	2
	135	2
		6
1A8330-14800	27	5
1A8330-15051	31	1
1A8330-15052	31	1 -1
1A8330-15053	31	1 -2
1A8330-15101	31	12
1A8330-15102	31	12 -1
1A8330-15111	31	16
1A8330-15112	31	16 -1
1A8330-15190	31	19
1A8330-15191	31	19 -1
1A8330-15192	31	19 -2
1A8330-15253	31	20
1A8330-15254	31	20 -1
1A8330-15301	31	21
1A8330-15402	31	22
1A8330-17501	34	1
1A8330-17570	33	2
1A8330-17571	33	2 -1
1A8330-17810	35	1
1A8330-17811	35	1 -1
1A8330-17820	35	2
1A8330-17821	35	2 -1
1A8330-17830	33	3
1A8330-17831	33	3 -1
1A8330-17840	33	4
1A8330-17841	33	4 -1
1A8330-21101	37	1
1A8330-22100	36	1
1A8330-22101	36	1 -1
1A8330-22110	36	2
1A8330-22120	36	3
1A8330-22121	36	3 -1
1A8330-22160	36	4
1A8330-22200	137	1
1A8330-22230	137	4
1A8330-24100	38	1
1A8330-24200	39	1
1A8330-24300	40	1
1A8330-24340	40	9
1A8330-24350	40	10
1A8330-24380	40	11
1A8330-24400	41	1
1A8330-24500	41	2
1A8330-24530	41	5
1A8330-24540	41	6
1A8330-25520	42	1

Parts No.	Fig. No.	Ref. No.
1A8330-25530	42	2
	43	2
1A8330-25570	42	3
	43	3
1A8330-25710	44	1
1A8330-26010	46	1
1A8330-26110	47	1
1A8330-26120	47	2
1A8330-26190	48	2
1A8330-26201	48	1
1A8330-26211	48	3
1A8330-26220	48	4
1A8330-26230	48	5
1A8330-26240	48	6
1A8330-26251	48	7
1A8330-26290	48	8
1A8330-26310	49	1
1A8330-26320	49	2
1A8330-26410	50	1
1A8330-26420	50	2
1A8330-26430	50	3
1A8330-26440	50	4
1A8330-26510	51	1
1A8330-26520	51	2
1A8330-26530	51	3
1A8330-26540	51	4
	56	1
1A8330-27490	52	6
	54	2
	57	2
	64	2
	138	2
1A8330-27501	53	1
1A8330-27700	54	3
1A8330-27750	52	7
	54	4
	57	3
1A8330-27791	55	1
1A8330-27841	55	3
1A8330-27881	55	4
1A8330-28110	56	2
1A8330-28120	56	3
1A8330-28210	57	4
1A8330-28302	58	2
1A8330-29550	60	2
1A8330-31470	65	1
1A8330-31540	61	4
1A8330-31550	61	5
1A8330-31580	61	7
1A8330-31920	61	1

Parts No.	Fig. No.	Ref. No.
1A8330-32610	62	1
1A8330-32660	62	2
1A8330-33110	64	3
	138	3
1A8330-33120	64	4
	138	4
1A8330-33130	76	6
	143	6
1A8330-33140	64	5
	138	5
1A8330-33150	64	6
	138	6
1A8330-33200	64	7
1A8330-33240	76	7
1A8330-33410	65	2
1A8330-33510	66	1
1A8330-34100	68	1
1A8330-34500	70	1
1A8330-34510	70	3
1A8330-34540	74	1
	75	1
1A8330-34700	72	1
1A8330-34710	72	3
		7
1A8330-34720	70	4
	72	4
		8
1A8330-34800	72	5
1A8330-35000	76	8
	143	7
1A8330-35010	76	9
	143	8
1A8330-35050	76	10
	143	9
1A8330-35082	76	42
	143	40
1A8330-35151	76	11
	143	10
1A8330-35250	76	12
	143	11
1A8330-35280	76	13
	143	12
1A8330-35290	76	14
	143	13
1A8330-35330	76	15
	143	14
1A8330-35360	76	16
	143	15
1A8330-35410	76	19
	143	18

Parts No. Index

Parts No.	Fig. No.	Ref. No.
1A8330-35513	76	43
	143	42
1A8330-35540	76	45
	143	44
1A8330-35550	76	46
	143	45
1A8330-35580	76	47
	143	46
1A8330-35620	76	20
	143	19
1A8330-35651	76	21
	143	20
1A8330-35710	76	22
	143	21
1A8330-35740	76	23
	143	22
1A8330-35800	76	49
	143	48
1A8330-35901	171	1
1A8330-35910	171	13
1A8330-35920	171	14
1A8330-36210	77	2
1A8330-36230	77	3
1A8330-36240	77	4
1A8330-36550	77	6
1A8330-37500	76	24
	143	23
1A8330-37730	76	25
	143	24
1A8330-37830	76	53
	143	52
1A8330-38300	76	52
	143	51
1A8330-38310	76	54
	143	53
1A8330-38340	76	55
	78	8
	143	54
1A8330-38410	78	4
1A8330-38450	78	5
1A8330-38510	78	7
1A8330-38520	78	9
1A8330-38550	78	10
1A8330-38620	78	12
1A8330-38650	78	13
1A8330-38660	78	14
1A8330-41120	79	1
1A8330-42810	83	1
1A8330-43100	81	3
1A8330-43150	81	9

Parts No.	Fig. No.	Ref. No.
1A8330-43150	82	9
1A8330-43250	81	4
1A8330-43260	81	5
	82	5
1A8330-43310	81	10
	82	10
1A8330-43360	81	11
	82	11
1A8330-43660	81	12
	82	12
1A8330-44210	83	2
1A8330-44260	83	3
1A8330-44410	83	4
1A8330-44440	83	5
1A8330-45210	84	4
1A8330-45211	84	4 -1
1A8330-45260	84	5
	85	5
1A8330-46000	88	3
1A8330-46050	175	3
1A8330-46070	88	4
1A8330-46310	96	6
1A8330-46311	96	6 -1
1A8330-46320	96	7
1A8330-46321	96	7 -1
1A8330-46330	97	1
1A8330-46331	97	1 -1
1A8330-46350	96	8
1A8330-46360	84	6
	85	6
1A8330-46451	90	3
1A8330-46501	90	4
1A8330-46550	96	1
1A8330-46560	96	2
1A8330-46570	96	3
1A8330-46580	96	5
1A8330-46600	88	6
1A8330-46610	88	7
1A8330-46620	86	2
1A8330-46810	175	10
1A8330-46820	175	11
1A8330-46830	175	12
1A8330-46850	175	13
1A8330-46860	175	14
1A8330-46910	175	15
1A8330-46920	175	16
1A8330-46960	175	17
1A8330-46970	175	18
1A8330-47050	91	1
	139	1

Parts No.	Fig. No.	Ref. No.
1A8330-47120	175	20
1A8330-47250	91	2
1A8330-47310	91	3
1A8330-47311	139	3
1A8330-47350	93	2
1A8330-47370	91	4
	139	4
1A8330-47540	91	5
	139	6
1A8330-47550	91	6
	139	7
1A8330-47610	91	7
	139	8
1A8330-47700	175	22
1A8330-48161	94	1
1A8330-48162	94	1 -1
1A8330-48210	95	3
1A8330-48330	95	5
1A8330-48410	95	6
1A8330-48570	95	7
1A8330-51152	98	5
1A8330-51201	171	15
1A8330-51410	98	19
1A8330-51420	98	21
1A8330-51800	98	23
	144	28
1A8330-52150	100	10
	145	19
	146	17
1A8330-53210	103	6
	149	4
1A8330-53250	103	7
	149	5
1A8330-55100	174	1
1A8330-55110	174	9
1A8330-56050	102	1
1A8330-56601	31	6
1A8330-57100	100	23
1A8330-57990	173	1
1A8330-58010	105	1
	106	4
1A8330-61050	103	8
1A8330-61051	149	6
1A8330-61150	103	9
1A8330-61151	149	7
1A8330-61160	103	10
1A8330-61161	149	8
1A8330-61200	103	11
1A8330-61210	103	12
	149	10

Parts No.	Fig. No.	Ref. No.
1A8330-61250	103	13
	149	11
1A8330-61260	103	14
	104	3
	149	12
	150	3
1A8330-61280	103	15
	149	13
1A8330-61291	103	16
	149	14
1A8330-61400	103	1
	149	39
1A8330-61450	103	18
1A8330-61451	103	18 -1
	149	16
1A8330-61600	104	4
	150	4
1A8330-61650	104	5
1A8330-61661	104	6
	150	6
1A8330-61690	104	7
1A8330-61710	104	8
	150	8
1A8330-61800	1	16
	2	18
1A8330-61900	103	2
1A8330-61910	103	28
	149	27
1A8330-61920	103	29
	149	28
1A8330-61930	103	30
	149	29
1A8330-62060	105	3
1A8330-62061	105	3 -1
1A8330-62070	105	12
1A8330-62071	105	12 -1
1A8330-62080	105	15
	106	18
1A8330-62120	105	6
	106	9
1A8330-62160	105	21
	106	24
1A8330-62170	105	22
	106	25
1A8330-62200	105	16
1A8330-62201	105	16 -1
1A8330-62210	105	7
1A8330-62211	105	7 -1
1A8330-62250	105	23
	106	26

Parts No. Index

Parts No.	Fig. No.	Ref. No.
1A8330-62300	105	8
		17
	106	11
		20
1A8330-62320	106	31
1A8330-62331	106	32
1A8330-62350	106	33
1A8330-62360	106	34
1A8330-62370	106	35
1A8330-62380	106	36
1A8330-62390	106	37
1A8330-62410	105	28
	106	38
1A8330-62411	105	28 -1
	106	38 -1
1A8330-62420	105	29
	106	39
1A8330-62430	106	40
1A8330-62431	105	30
	106	40 -1
1A8330-62440	105	31
	106	41
1A8330-62450	105	32
1A8330-62451	105	32 -1
	106	42
1A8330-62460	105	33
	106	43
1A8330-62470	105	34
	106	44
1A8330-62480	105	35
	106	45
1A8330-62510	108	3
1A8330-62521	108	4
	151	3
1A8330-62531	108	5
	151	4
	152	3
1A8330-62550	107	1
1A8330-62580	108	7
	151	6
	152	5
1A8330-62600	108	2
1A8330-62660	151	7
	152	6
1A8330-62750	151	2
1A8330-63250	110	2
1A8330-63301	110	3
1A8330-63320	110	4
1A8330-63330	110	5
1A8330-63340	110	6

Parts No.	Fig. No.	Ref. No.
1A8330-63370	110	7
1A8330-63380	110	8
1A8330-63390	110	9
1A8330-63400	110	10
1A8330-63401	110	10 -1
1A8330-63600	110	11
1A8330-63610	110	12
1A8330-63700	111	1
1A8330-63750	111	21
	153	15
1A8330-64100	172	1
1A8330-64110	172	2
1A8330-64130	172	3
	174	10
	175	28
1A8330-64600	112	1
1A8330-64700	113	1
	155	1
1A8330-65300	119	1
	161	2
1A8330-65320	120	1
	162	7
	163	3
1A8330-65331	115	2
	157	2
1A8330-65350	115	3
	116	3
	157	3
	158	3
1A8330-65410	120	2
	162	3
	163	4
1A8330-65432	114	2
	156	4
1A8330-65510	117	1
1A8330-65520	117	2
1A8330-65560	117	3
	118	3
	159	1
	160	1
1A8330-65610	159	2
1A8330-65620	119	3
	162	4
	163	5
1A8330-65790	98	17
1A8330-65930	120	3
	162	5
	163	6
1A8330-65950	120	4
	162	6

Parts No.	Fig. No.	Ref. No.
1A8330-65950	163	7
1A8330-67002	181	1
1A8330-67111	177	3
	181	4
1A8330-67210	177	4
	181	5
1A8330-67400	181	7
1A8330-67410	138	7
1A8330-67450	143	60
	181	8
1A8330-67470	177	6
	181	9
1A8330-67510	177	7
	181	10
1A8330-67610	177	8
	181	11
1A8330-67650	177	9
	181	12
1A8330-67710	177	10
	181	13
1A8330-67720	177	11
	181	14
1A8330-67750	177	12
	181	15
1A8330-67770	177	15
	181	18
1A8330-67870	177	16
	181	19
1A8330-67970	152	7
	181	20
1A8330-71000	121	1
1A8330-71001	121	1 -1
1A8330-71110	121	2
	122	2
1A8330-71120	121	9
	122	9
1A8330-71130	121	10
	122	10
1A8330-71150	123	1
1A8330-71240	121	3
	122	3
1A8330-71270	121	4
	122	4
1A8330-71290	121	5
	122	5
1A8330-71510	121	34
	122	34
1A8330-71550	121	35
	122	35
1A8330-71780	121	6

Parts No.	Fig. No.	Ref. No.
1A8330-71780	122	6
1A8330-72100	121	11
1A8330-72101	121	11 -1
1A8330-72110	121	12
1A8330-72111	121	12 -1
1A8330-72150	121	16
	122	16
1A8330-72170	121	17
		25
	122	17
		25
1A8330-72200	121	13
	122	13
1A8330-72250	121	14
	122	14
1A8330-72300	121	18
1A8330-72301	121	18 -1
1A8330-73110	121	19
	122	19
1A8330-73120	121	20
	122	20
1A8330-73130	121	21
	122	21
1A8330-73400	121	22
1A8330-73500	121	23
1A8330-74100	121	24
	122	24
1A8330-74160	121	31
	122	31
1A8330-74550	121	32
	122	32
1A8330-74610	121	26
	122	26
1A8330-74650	121	27
	122	27
1A8330-74800	121	28
	122	28
1A8330-85700	126	7
1A8330-85710	126	3
1A8330-85720	126	6
1A8330-85800	126	8
1A8330-85840	127	1
1A8330-85850	127	2
1A8330-99670	175	1
1A8331-14500	129	1
1A8331-14510	129	2
1A8331-14700	131	1
1A8331-14710	131	2
		6
1A8331-14720	129	3

Parts No. Index

Parts No.	Fig. No.	Ref. No.
1A8331-14720	131	3
		7
1A8331-14800	131	5
1A8331-34500	133	1
1A8331-34510	133	3
1A8331-34700	135	1
1A8331-34710	135	3
		7
1A8331-34720	133	4
	135	4
		8
1A8331-34800	135	5
1A8332-01610	141	1
	142	1
1A8332-47250	139	2
1A8332-47350	93	2 -1
1A8332-47400	139	5
1A8332-47451	145	8
1A8332-51150	144	8
1A8332-51400	147	6
1A8332-51410	144	25
1A8332-51420	147	7
1A8332-52300	31	53
1A8332-53720	148	26
1A8332-58130	147	8
1A8332-58200	144	29
1A8332-61100	149	1
1A8332-61200	149	9
1A8332-61300	141	18 -1
	142	18 -1
1A8332-61510	149	17
1A8332-61650	150	5
1A8332-61690	150	7
1A8332-61801	141	18
	142	18
1A8332-61910	141	19
	142	19
1A8332-61950	149	30
1A8332-64710	155	2
1A8332-64800	31	54
1A8332-64930	154	3
1A8332-64980	154	4
1A8332-65350	156	3
1A8332-65790	144	23
1A8332-65850	156	6
1A8332-69500	176	1
1A8332-69600	176	2
1A8332-69680	176	3
1A8332-69730	176	4
1A8400-51050	144	6

Parts No.	Fig. No.	Ref. No.
1A8400-51060	144	7
1A8406-35080	143	41
1A8406-63100	153	1
1A8406-63120	153	3
1A8406-63130	153	4
1A8406-63140	153	5
1A8406-63160	153	6
1A8406-63170	153	7
1A8406-63180	153	8
1A8406-63190	153	9
1A8406-63310	153	10
1A8406-63340	153	11
1A8406-65270	156	2
1A8426-52300	153	2
1A8426-52800	144	22
1A8470-53450	148	12
1A8470-53460	148	13
1A8470-53850	148	21
1A8476-57103	145	30
	146	28
1A8476-65240	162	2
	163	2
1C6281-52310	31	26
1C6281-52320	76	58
		59
		60
	78	15
	92	13
		14
	140	15
		16
	143	57
		58
		59
1C6650-37480	101	21
	148	23
1C6980-07210	145	1
	146	1
1C7100-08151	103	3
	149	2
1C7170-91300	1	17
	2	20
	141	21
	142	21
1C7200-06250	98	6
	144	9
1D4225-18350	145	4
	146	4
1E6102-83230	30	6
1E6150-56040	90	8

Parts No.	Fig. No.	Ref. No.
1E6213-83410	94	2 -1
1E6680-81120	148	10
1E8510-84930	145	34
	146	32
1E8720-83090	144	31
1E8720-83120	144	32
1E8775-84120	98	18
	144	24
1E8945-85480	94	2
1E9170-81270	148	11
		19
1N3590-31510	61	3
1N3590-31570	61	6
1TN322-38910	81	1
	82	1
	88	1
1TN322-38930	81	2
	82	2
	88	2
1TN325-41450	175	2
1TS100-01001	165	1
22117-080000	86	4
	92	15
		16
	111	17
	140	17
		18
22137-080000	76	27
		61
		62
	78	17
	81	13
	82	13
	91	8
	92	17
	121	36
	122	36
	139	9
	140	19
	143	26
		61
		62
	175	29
	177	17
	181	21
22137-100000	31	17
	111	18
		19
	153	12
	174	6

Parts No.	Fig. No.	Ref. No.
22137-100000	175	30
	177	18
	181	22
22137-160000	32	3
	64	8
	138	8
22137-180000	55	6
22137-200000	76	28
	143	27
	177	19
	181	23
22157-060000	103	39
	105	10
		19
	106	13
		22
	149	40
	171	21
22157-080000	76	71
	105	11
		20
	106	14
		23
		48
	143	63
	147	9
	176	5
22190-100000	52	8
22217-060000	105	26
	106	29
22217-100000	174	7
22217-160000	83	8
	121	29
	122	29
	124	6
22232-100000	103	32
	149	32
22242-000120	171	22
22242-000200	77	7
	177	20
	181	24
22242-000220	96	14
22242-000250	42	4
	43	4
	49	3
22242-000260	36	5
22242-000300	23	8
	42	5
	43	5
	51	5

Parts No. Index

Parts No.	Fig. No.	Ref. No.
22242-000300	60	4
22242-000360	17	2
	18	2
22242-000400	68	2
	83	9
22242-000450	69	2
22242-100350	48	14
22252-000160	40	13
22252-000180	47	3
22252-000220	40	15
22252-000420	50	6
22252-000520	50	7
22252-000550	51	6
22252-000620	15	6
22252-000680	62	3
22252-000720	19	7
	23	9
22252-000750	63	3
22252-000800	21	7
22252-000820	48	15
22262-000470	59	27
22272-000080	76	29
		30
		31
	90	10
	143	28
		29
		30
22272-000150	55	7
	78	18
22312-060160	16	10
22312-080140	39	4
	40	16
	50	8
	60	5
	62	4
	63	4
22351-035032	17	3
	18	3
	53	3
	58	3
22351-035036	76	32
	143	31
22351-040008	171	23
22351-040012	86	5
22351-040020	121	7
	122	7
22351-040032	16	11
	52	9
	54	5

Parts No.	Fig. No.	Ref. No.
22351-040032	57	5
	64	9
	138	9
22351-050040	64	10
	138	10
22351-060032	17	4
	18	4
	52	10
		11
	53	4
	54	6
	57	6
	58	4
	64	11
	87	6
	138	11
	181	25
22351-060036	76	33
	143	32
22351-060056	61	10
22351-080032	64	12
	138	12
22351-080040	64	13
	138	13
22372-060000	103	40
	149	41
22372-080000	55	8
	91	9
	92	18
	139	10
	140	20
	175	31
	177	21
	181	26
22372-100000	175	32
	177	22
	181	27
22417-160160	91	10
	92	19
	139	11
	140	21
22417-200160	76	34
	106	49
	143	33
22417-200200	144	33
	176	6
22417-200300	121	33
	122	33
22417-250250	14	9
	33	5

Parts No.	Fig. No.	Ref. No.
22417-250250	121	37
	122	37
22417-250400	14	3
		6
22487-080160	76	63
	78	19
	143	64
22487-080200	3	16
	76	64
		65
	143	65
		66
22487-080240	78	20
22487-080300	177	23
	181	28
22487-080450	76	66
	143	67
22522-030130	91	11
	92	20
	139	12
	140	22
22550-050121	36	6
22645-600120	36	4 -1
23000-035000	1	18
	2	21
	95	8
	141	22
	142	22
23000-054000	1	19
	2	22
	141	23
	142	23
23000-060000	1	20
	2	23
	141	24
	142	24
23000-080000	1	21
	2	24
	24	2
	141	25
	142	25
23065-090450	89	1
23491-140002	21	8
	38	11
23871-010000	38	3
	40	2
	41	4
23871-020000	38	4
	40	3
		4

Parts No.	Fig. No.	Ref. No.
23887-160002	91	12
	139	13
23980-730150	31	41
23980-730270	3	17
23980-730300	31	42
		43
23980-730400	31	44
23980-730480	31	41 -1
		42 -1
23980-731000	31	45
24101-060044	42	6
	43	6
	50	9
	56	4
24101-060054	44	2
	45	2
	46	2
	48	16
	50	10
	51	7
24101-060064	51	8
24101-060084	68	3
24101-060094	21	9
	69	3
24101-060104	21	10
	61	11
24101-060114	61	12
24101-062044	47	4
	49	4
24101-062054	49	5
	50	11
24101-062064	15	7
	16	12
	22	4
	23	10
	42	7
	43	7
24101-062074	19	8
	23	11
24101-063034	59	11
24101-063044	51	9
24101-063064	65	3
24101-063074	65	4
24104-060000	76	35
	143	34
24104-060024	76	36
	143	35
24104-062004	76	37
	143	36
24190-080001	51	10

Parts No. Index

Parts No.	Fig. No.	Ref. No.
24190-080001	56	5
24190-100001	52	12
24190-100003	90	11
24190-160001	40	14
	77	8
24190-170001	91	13
	139	14
24311-000090	41	13
	92	21
	140	23
24311-000120	86	6
24311-000125	41	14
	91	14
	139	15
24311-000140	59	28
24311-000150	40	17
		18
		19
24311-000160	21	11
	38	12
	41	8
	52	13
	54	7
	57	7
	64	14
	138	14
24311-000180	20	4
24311-000200	92	22
	140	24
24311-000210	77	9
24311-000220	95	9
24311-000400	83	10
24311-000410	7	5
	8	5
24311-000480	7	6
	8	6
	11	4
	12	4
24311-240100	31	37
24311-350220	95	10
24315-000090	86	7
24315-000110	84	2
	85	2
24315-000120	87	7
24315-000180	87	8
24315-000220	95	9 -1
24321-000250	40	20
24321-000500	40	21
24321-000800	79	3
	80	3

Parts No.	Fig. No.	Ref. No.
24321-000850	21	12
24321-001600	23	12
24341-000100	40	22
24341-000320	48	17
24351-240300	38	13
24361-090800	88	5
	175	4
24365-091000	84	6 A
	85	6 A
24421-173007	59	29
24421-183207	59	30
24421-203508	40	23
24421-254008	38	14
24421-284008	39	5
24421-306210	15	8
24421-456812	62	5
24421-527512	63	5
24550-010100	175	33
24550-015150	76	17
	143	16
24550-017150	55	2
24550-020120	78	6
	83	6
24550-020150	177	5
		13
	181	6
		16
24550-040300	38	5
24550-050250	7	2
	8	2
	11	2
	12	2
24761-010000	76	38
	143	37
24761-060000	14	4
		7
26016-080122	78	21
26022-050162	31	7
26023-050102	145	35
	146	33
26023-050122	101	16
26023-050162	100	25
	145	36
	146	34
26023-050202	145	37
	146	35
26106-060082	139	16
26106-060102	13	4
	176	7
26106-060122	3	18

Parts No.	Fig. No.	Ref. No.
26106-060122	31	46
	41	9
	76	67
	81	14
	82	14
	101	22
	103	33
	104	10
	143	68
	144	34
	148	27
	149	33
	150	10
	154	5
26106-060162	103	34
		35
		36
		37
	112	3
	113	2
	144	35
	147	10
	149	34
		35
		36
		37
	155	3
	171	33
	175	34
26106-060202	1	22
	2	25
	3	19
	98	25
	100	26
		27
	141	26
	142	26
	145	38
	146	36
26106-060402	93	4
26106-060452	171	24
26106-080122	144	36
	175	35
26106-080162	1	23
		24
	2	26
	30	7
		8
	31	47
		47 -1

Parts No.	Fig. No.	Ref. No.
26106-080162	31	48
		49
		55
	34	3
	40	24
	52	14
	54	8
	57	8
	64	15
	76	39
	81	15
	82	15
	90	12
	91	15
	92	23
	93	5
	95	11
	96	15
	98	26
	109	3
	111	22
	123	2
	137	2
		5
	138	15
	139	17
	141	27
	142	27
	143	38
	144	37
	148	28
	153	16
	171	25
		26
	172	5
26106-080202	1	25
	2	27
	77	10
	78	22
	95	12
	110	13
	140	25
	141	28
	142	28
	171	27
		28
	177	14
		24
	181	17

Parts No. Index

Parts No.	Fig. No.	Ref. No.
26106-080202	181	29
26106-080252	37	2
	78	23
		24
	108	8
	110	15
	151	8
	152	8
26106-080302	39	6
	40	25
	41	15
26106-080354	1	23 -1
	2	28
	141	29
	142	29
26106-080402	1	26
	2	29
	84	8
	85	8
	141	30
	142	30
26106-080452	60	6
26106-080602	88	9
26106-080652	60	7
	171	29
26106-080702	31	50
	84	9
	85	9
	105	39
	106	51
26106-080802	4	2
	5	2
26106-081452	60	8
26106-100162	52	15
26106-100202	9	8
		9
	10	11
		12
		13
	76	40
	88	10
	98	27
	107	2
	111	23
	143	39
	144	38
	153	18
	154	6
	171	30
26106-100252	66	2

Parts No.	Fig. No.	Ref. No.
26106-100252	67	2
	177	25
	181	30
26106-100302	23	13
	60	9
	76	68
	143	69
26106-100402	62	6
		7
	63	6
		7
26106-100752	76	69
	143	70
26106-120202	13	5
26106-120252	7	7
	8	7
	13	6
	83	11
	110	16
		17
26106-120302	13	5 -1
26106-120702	7	8
	8	8
26106-120752	177	26
	181	31
26108-120252	125	1
26116-080354	76	70
	143	71
	177	27
	181	32
26116-160604	11	5
	12	5
26116-161302	124	7
26156-100252	153	13
26216-080352	38	6
	40	5
26216-080402	40	6
26216-080702	38	7
26216-081402	40	7
26216-100252	40	8
26296-100252	111	20
26346-080002	78	25
	92	24
	140	26
26347-060002	171	31
26356-160002	121	30
	122	30
26366-080002	39	7
	40	26
	60	10

Parts No.	Fig. No.	Ref. No.
26366-080002	84	10
	85	10
	91	16
	92	25
	94	3
	139	18
	140	27
	175	36
	177	28
	181	33
		35
26366-100002	40	27
	79	4
	80	4
	171	32
	177	29
	181	34
26450-080122	21	13
26450-080202	84	11
	85	11
26450-080352	59	31
26450-080402	59	32
26557-050122	88	11
26557-050352	101	23
	148	24
26587-050122	140	28
	145	43
26696-100002	153	14
26716-050002	101	17
		24
	148	25
26716-060002	99	7
	105	27
	106	30
26716-080002	76	48
		56
	78	11
	91	17
	139	19
	143	47
		55
	172	6
	174	11
26716-100002	31	18
26716-120002	13	7
26716-160002	11	6
	12	6
	124	8
26736-100002	174	8
26736-160002	83	12

Parts No.	Fig. No.	Ref. No.	
26756-200002	121	8	
	122	8	
26776-120002	4	3	
	5	3	
	100	9	
	145	18	
	146	16	
26777-180002	121	15	
	122	15	
26911-100102	90	13	
27260-170000	38	8	
27260-220000	38	9	
29311-094000	145	39	
	146	37	
29622-140001	98	28	
	144	39	
29622-250001	3	20	
	31	51	
		56	
		35	4
		89	2
		94	4
		96	16
		98	29
			30
			31
		101	25
		144	40
			41
			42
			43
		153	17
41801-110041	103	38	
	149	38	